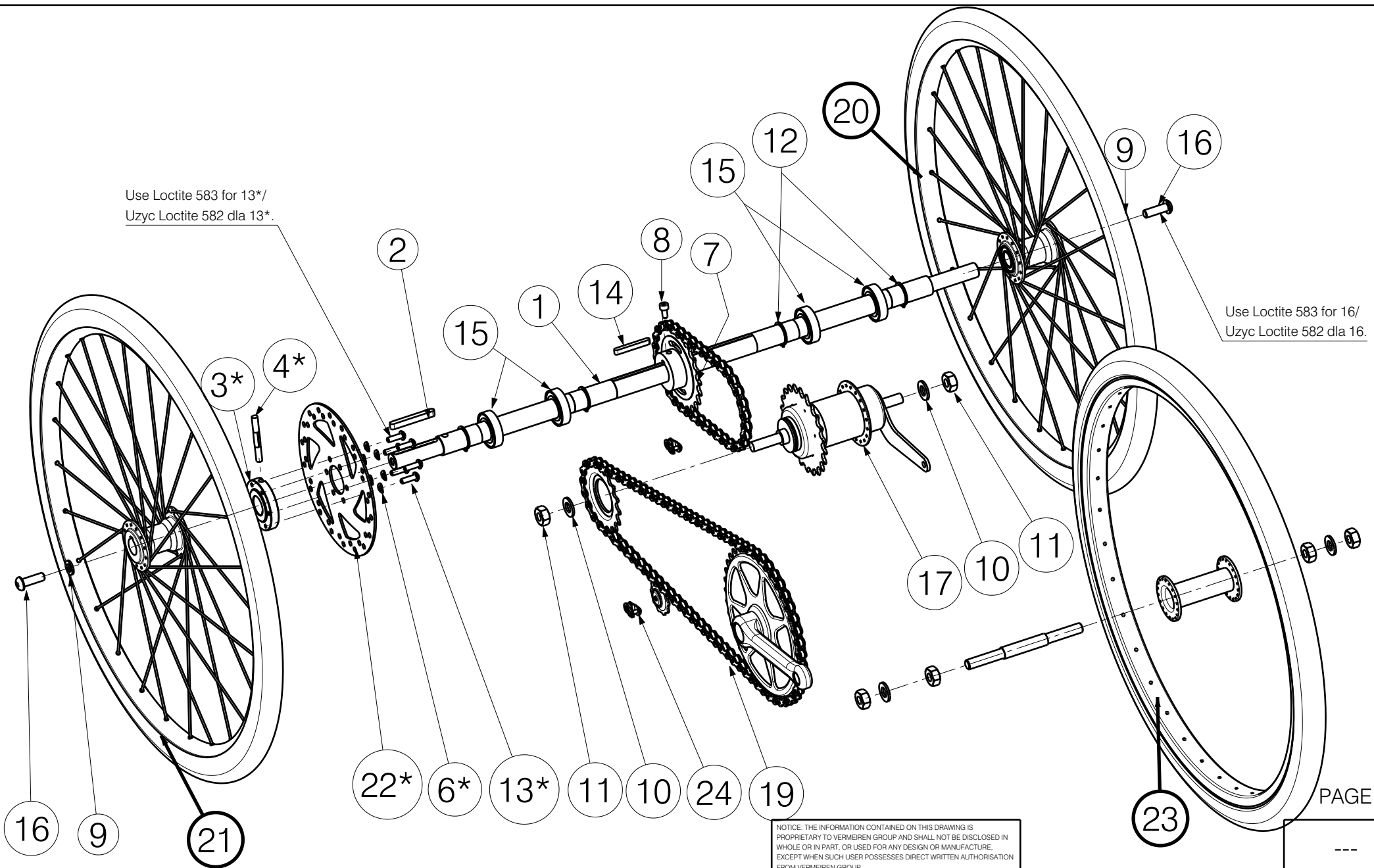


Use Loctite 583 for 13*/
 Uzyc Loctite 582 dla 13*.


Use Loctite 583 for 16/
 Uzyc Loctite 582 dla 16.



NOTICE: THE INFORMATION CONTAINED ON THIS DRAWING IS PROPRIETARY TO VERMEIREN GROUP AND SHALL NOT BE DISCLOSED IN WHOLE OR IN PART, OR USED FOR ANY DESIGN OR MANUFACTURE, EXCEPT WHEN SUCH USER POSSESSES DIRECT WRITTEN AUTHORISATION FROM VERMEIREN GROUP.


Driving Gear With Torpedo 2217			
Scale:	1:5	Drafted	Verified
Date	09/05/2014	28.11.2025	28.11.2025
Initials	BS	PM	AZ

Plan No.
EP00160/J



Material			
No.	Plan	Article	Quantity
1	XP02361	GP17000	1
2	6x6x50 DIN 6885A	GP19000	1
3*	XP02365	GP17200	1
4*	XP03236	2631200	1
5**	---	1001281	3
6*	X002282	1992854	6
7	YP03014	2822000	1
8	M5x10	1001488	1
9	M8 DIN125 B	1001556	2
10	M10 DIN125-1A	1001558	2
11	M10 DIN 934	1001672	2
12	D20 DIN471	1995259	4
13*	M5x16	1006112	6
14	5x5x40 DIN 6885A	1940800	1
15	---	1994568	4
16	M8x25	1990501	2
17	Torpedo with gear T22	B000015	1
18	---	---	-
19	Chain	2993196	1,56 [m]
20	EF00101 Wheel 20" L	2994424	1
21	EF00102 Wheel 20" R	2994423	1
22*	D 160mm	2992382	1
23	EF00100 Front Wheel 20"	2991678	1
24	XP01283	2992321	2

NOTICE: THE INFORMATION CONTAINED ON THIS DRAWING IS PROPRIETARY TO VERMEIREN GROUP AND SHALL NOT BE DISCLOSED IN WHOLE OR IN PART, OR USED FOR ANY DESIGN OR MANUFACTURE, EXCEPT WHEN SUCH USER POSSESSES DIRECT WRITTEN AUTHORISATION FROM VERMEIREN GROUP.

Driving Gear With Torpedo 2217				---
				Plan No. EP00160/J
Scale: 1:5	Drafted	Verified	Confirmed	
Date	09/05/2014	28.11.2025	28.11.2025	
Initials	BS	PM	AZ	

* option/opcja
 ** not depicted/nie ujeta