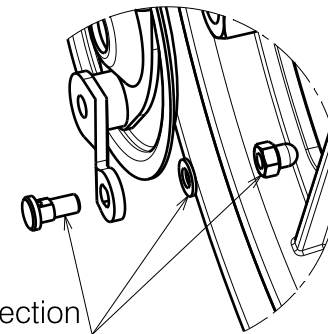


Material			
No.	Plan	Article Number	Quantity
1	M12 DIN985	1919454	2
2	M12 DIN125 B	1919455	2
3	16"	1914955 (L)	1
	16"	1914956 (R)	1
4	M12x120 DIN931	1919456	2
5	---	2993049	2x 1.05m
6	Ø22	1994012	2
7*	---	1004109	2
8*	---	1004094	2
9	M6 DIN985	2994063	2
10	X003407	1997399	2
11	M6x40	2994066	2
12	---	1996806	2

* Not depicted / Niet afgebeeld



Detail A
Scale: 1:2

Only right side depicted

1902200

E001153 / C

INOVYS 2 T30 FIXED DRUM BRAKE

Plan No. / Plannr.
E001153 / C

Scale / Schaal: 2:5	Drafted / Getekend	Verified / Nagezien	Confirmed / Bevestigd
Date / Datum	04/05/2020	12/07/2024	12/07/2024
Init. / Init.	SD	SD	PJ

