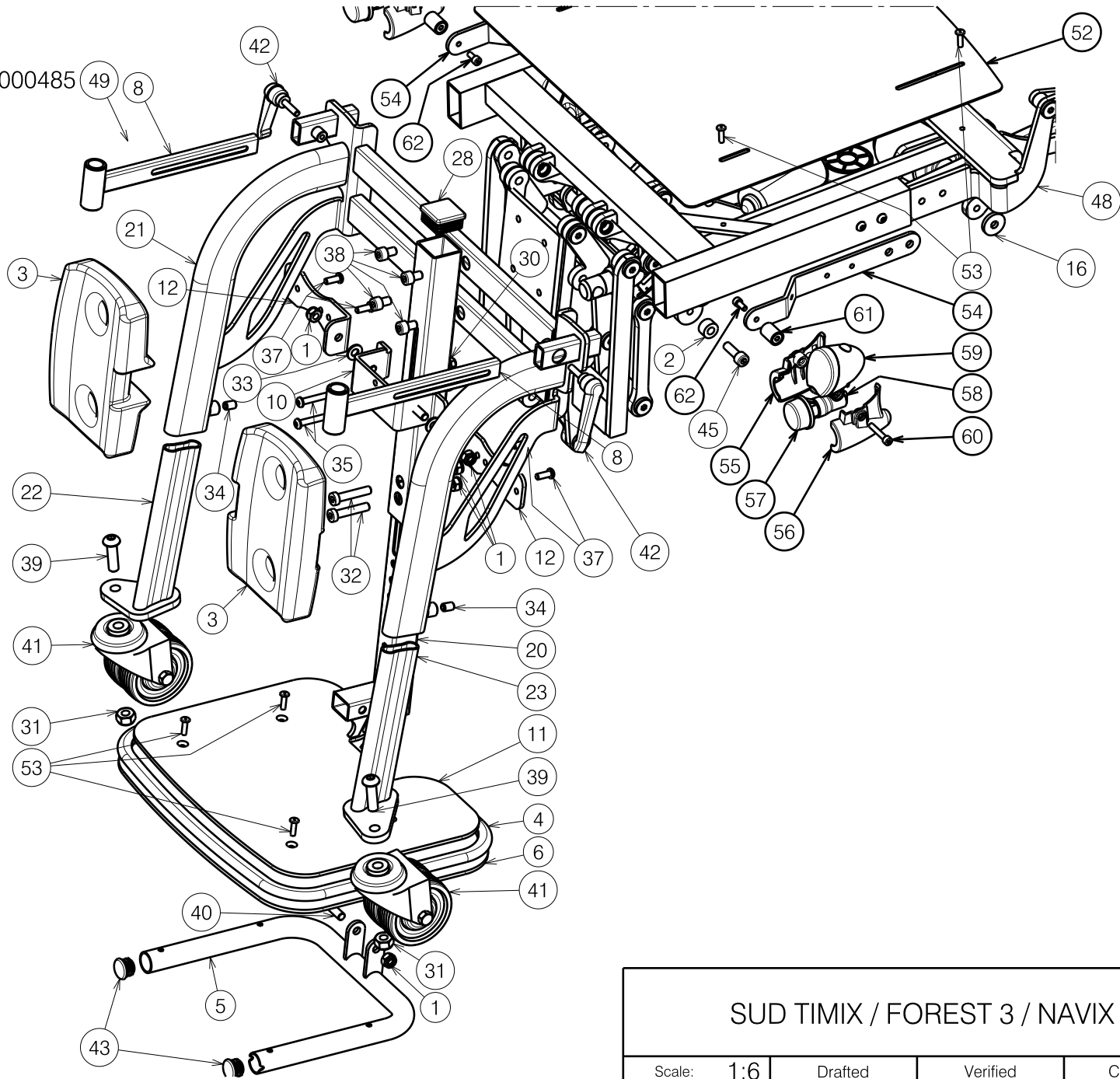



Knee support E000485

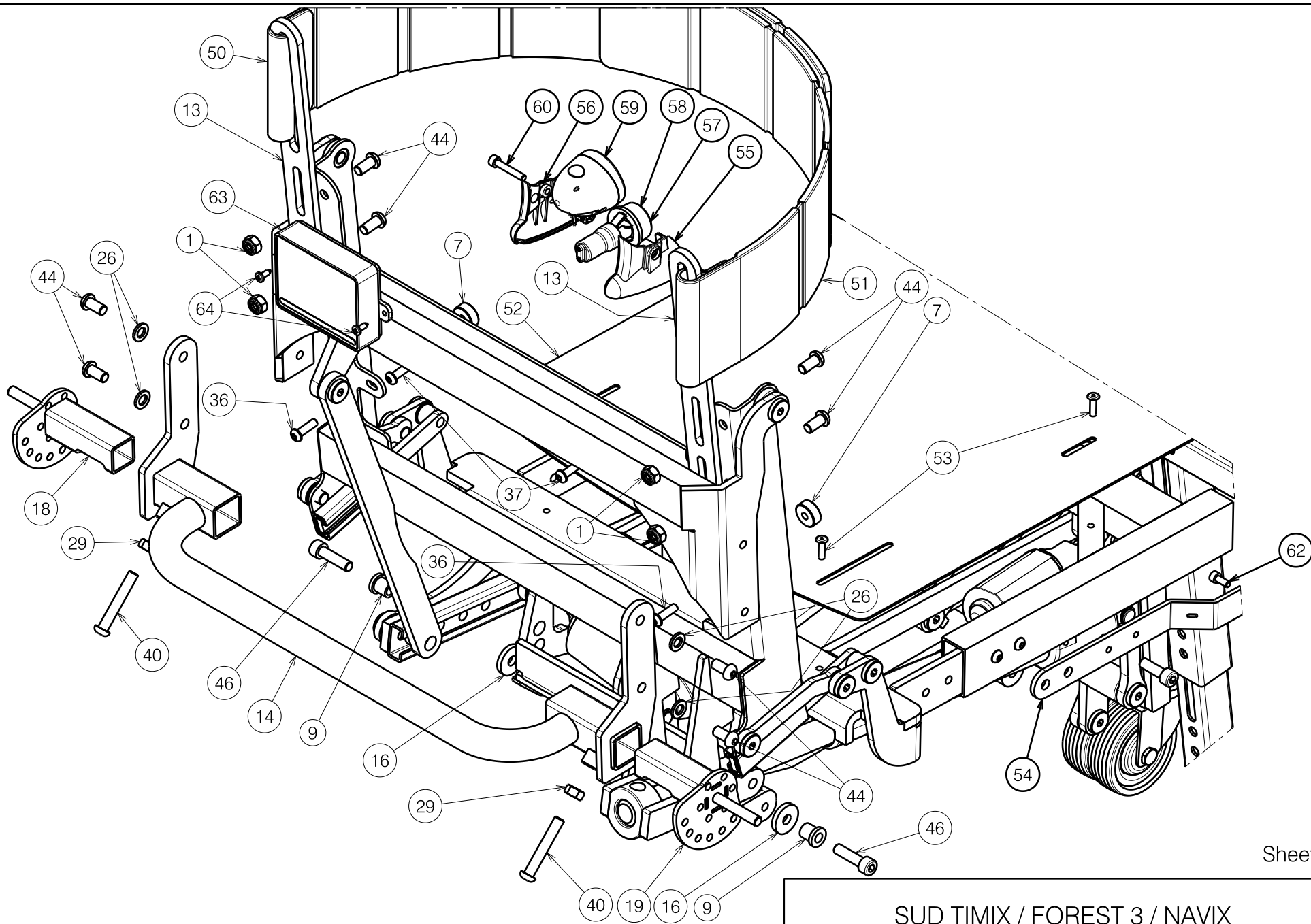


Sheet 1/3

2992200

E000945 / K


SUD TIMIX / FOREST 3 / NAVIX				Plan No.
				E000945 / K
Scale: 1:6	Drafted	Verified	Confirmed	
Date	19/02/2014	31/05/2021	31/05/2021	
Initials	SD	SD	PJ	



Sheet 2/3

2992200

E000945 / K

SUD TIMIX / FOREST 3 / NAVIX				Plan No. E000945 / K
Scale: 1:5	Drafted	Verified	Confirmed	
Date	19/02/2014	31/05/2021	31/05/2021	
Initials	SD	SD	PJ	


Material							
No.	Plan	Article	Quantity	No.	Plan	Article	Quantity
1	X001016	1001682	9	34	M8x12 DIN916	1004885	2
2	X003329	1996776	2	35	M6x50 ISO7380	1006997	2
3	X004785	1905949	2	36	M6x20 ISO7380	1006999	2
4	4mm	1906976	1	37	M6x16 ISO7380	1008459	6
5	Y013036	1699554	1	38	M8X12 DIN912	1008963	4
6	Y013807	1699754	1	39	M10x35 ISO7380	1009442	2
7	XP00099	2990067	2	40	M8x50 ISO7380	1902483	3
8	Y014362	1703100	2	41	---	1902764	2
9	X003403	1617400	2	42	M6x25	1902933	2
10	Y018160	1776854	1	43	Ø22	1990648	2
11	Y017773	1755754	1	44	M8x16 ISO7380	1991858	8
12	Y018367	1778154	2	45	X001813	1001499	2
13	Y020081	1794154	2	46	M8X30 DIN912	1992581	2
14	Y020717	2003954	1	48	---	1914783	1
16	X004048	1902685	2	49	E000485	1903194	1
18	Y020718	2003754	1	50	X004297	1903149	1
19	Y020719	2003854	1	51	X004298	1903150	1
20	Y022062	2023054	1	52	Y020905	2007754	1
21	Y020119	1793354	1	53	Ø4.8x17	1001586	8
22	Y020138	1793600	1	54	Y020906	2007854	2
23	Y020139	1793500	1	55	X004942	1907377	2
26	M8 DIN125	1001556	8	56	X004943	1907376	2
28	---	1001618	1	57	---	1991679	2
29	M8 DIN934	1001671	2	58*	---	1991680	2
30	M6 DIN985	1001680	2	59	---	1907340	2
31	M10 DIN985	1001683	2	60	M5X30 DIN912	1903983	2
32	M8X40 DIN7984	1003066	2	61	---	1910745	2
33	M8 DIN125	1003199	2	62	M5X12 DIN912	1001489	2
				63	---	1912307	1
				64	Ø4X12	1990816	2

Optional SE19 Lighting

2992200

\* Not depicted

E000945 / K

SUD TIMIX / FOREST 3 / NAVIX				Plan No.
				E000945 / K
Scale: 1:5	Drafted	Verified	Confirmed	
Date	19/02/2014	31/05/2021	31/05/2021	
Initials	SD	SD	PJ	