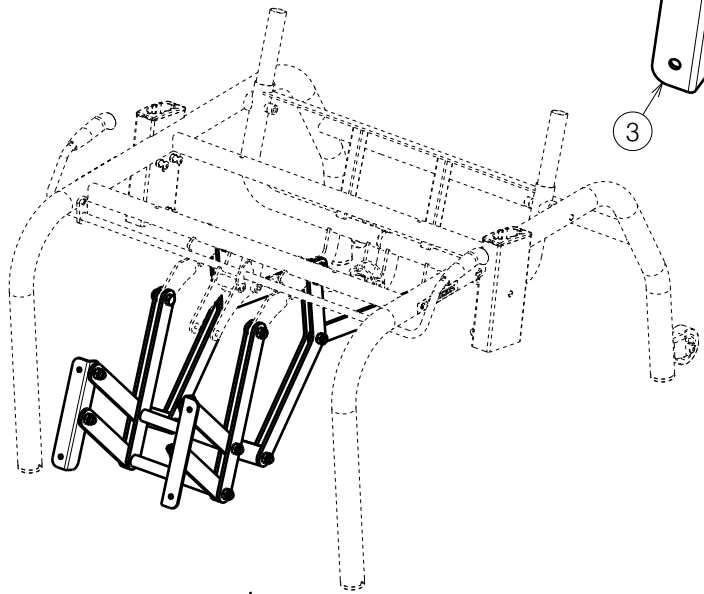
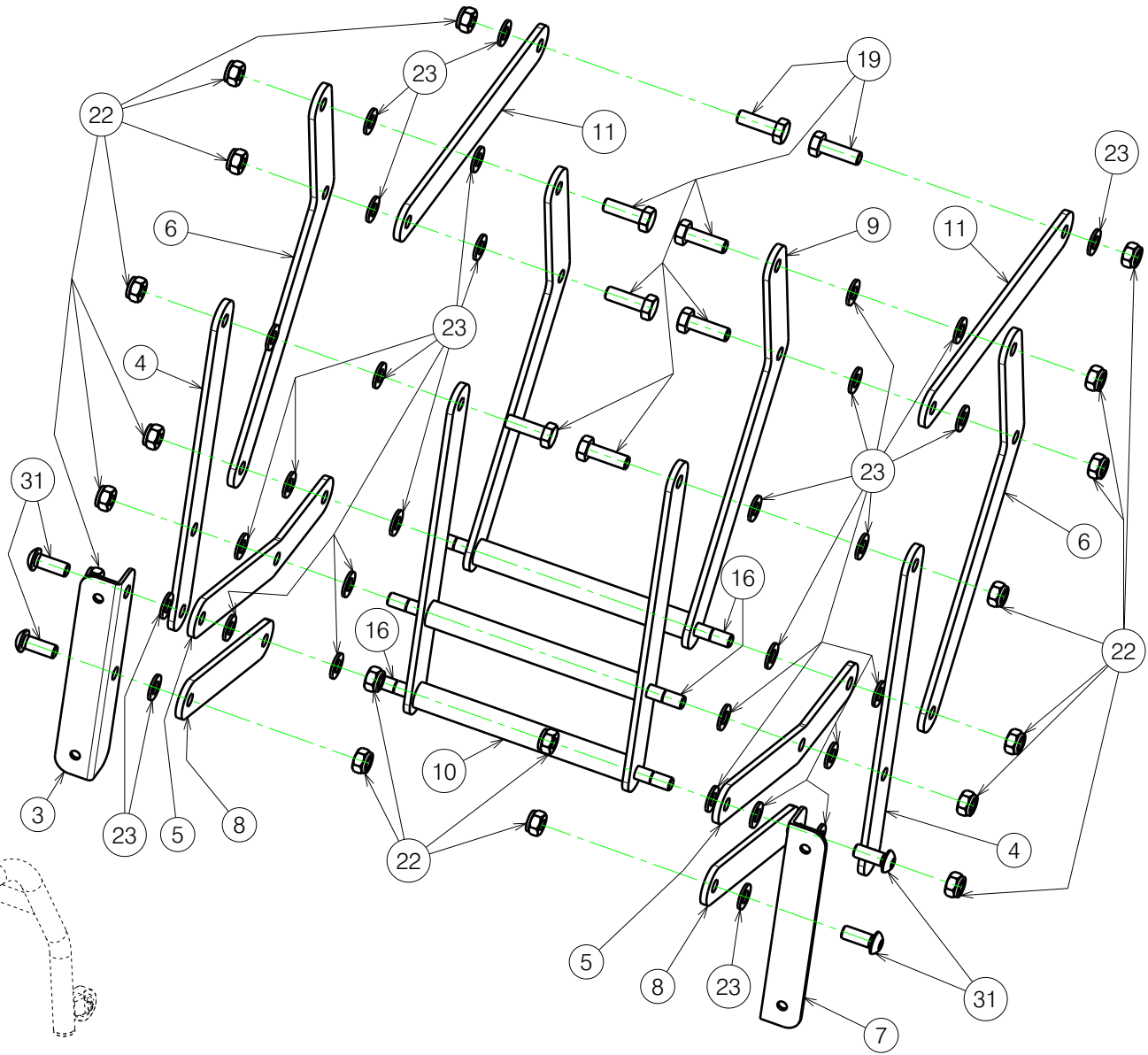


EP00564 / E

LOWER FRAME / NORMANDIE WITHOUT WHEELS 2020				Plan No. EP00564 / E
Scale: 1:6	Drafted	Verified	Confirmed	1/3
Date	02/02/2020	25/05/2023	25/05/2023	
Initials	AZ	AZ	TK	





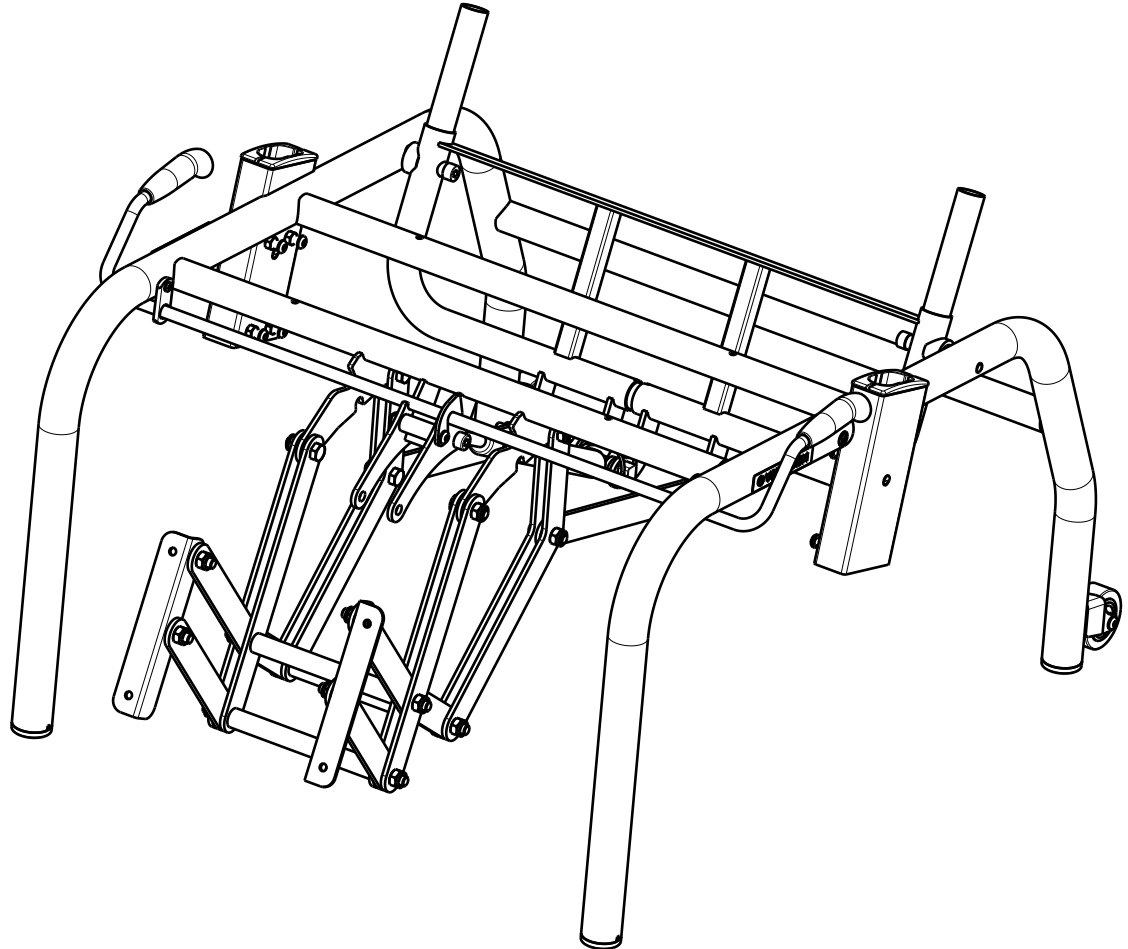
EP00564 / E

LOWER FRAME / NORMANDIE WITHOUT WHEELS 2020				Plan No. EP00564 / E
Scale: 1:4	Drafted	Verified	Confirmed	2/3
Date	02/02/2020	25/05/2023	25/05/2023	
Initials	AZ	AZ	TK	



Material			
No.	Plan	Article	Quantity
1	Y012249	1667265	2
2	YP08901	2629600	1
3	YP00412	1822565	1
4	YP00483	1822465	2
5	YP00491	1822365	2
6	YP00568	1822265	2
7	YP00592	1822665	1
8	YP00635	1822865	2
9	YP00715	1824965	1
10	YP00716	1825065	1
11	YP05712	2722165	2
12	YP08803	2627965	1
13*	YP08830 (Method 1)	2628065	1
	YP08895 (Method 2)	2629465	1
14	X000319	G080200	1
15	X001296	G065155	1
16	X001862	1447500	3
17	X004485 (Black)	1903994	2
18	X005930 (Black)	1916350	4
19	M8x25 DIN 933	1001442	8
20	Cap D32	1001610	4
21	M6 DIN 934	1001670	8
22	M8 DIN 985	1001682	18
23	D8,4 DIN 125	1003199	30
24	Sticker Arrow	1903223	2
25	M6 DIN 985	1001680	3
26	D6,4 DIN 125	1001564	4
27	M6x40	1006111	2
28	M6x12	1007000	8
29	M8x16 DIN 912	1001498	2
30	Sticker Vermeiren	T001051	2
31	M8x20	1992349	4
32	Wheel D50 (Black)	1917917	2
33	M6x50	1006997	1
34	D4X20	1991373	2
35	Gas Spring 150 N	1917602	1
36	M10 DIN439B	1903216	1

Material			
No.	Plan	Article	Quantity
37	Y000462	F000050	2
38	YP08858DP	2629865	1
39	X000106	G003218	2
40	X000273	G060600	2
41	X002480	1993793	2
42	Pin M8x45	1993594	1
43	M8x60 DIN912	1997781	2



LOWER FRAME / NORMANDIE WITHOUT WHEELS 2020				Plan No. EP00564 / E
Scale: 1:6	Drafted	Verified	Confirmed	3/3
Date	02/02/2020	25/05/2023	25/05/2023	
Initials	AZ	AZ	TK	

EP00564 / E

