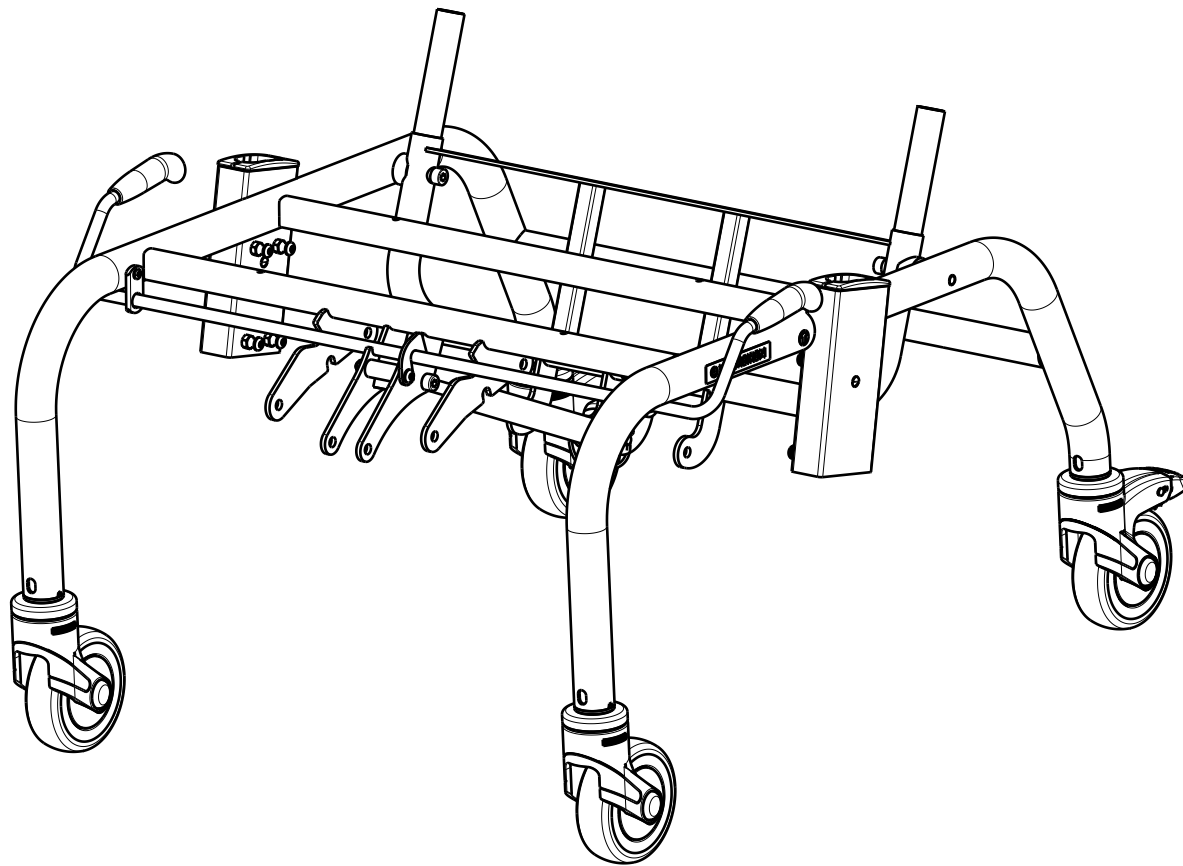


EP00565 / E

LOWER FRAME / LANGUEDOC WITH WHEELS 2020				Plan No. EP00565 / E
Scale: 1:6	Drafted	Verified	Confirmed	1/2
Date	02/02/2021	26/05/2023	26/05/2023	
Initials	AZ	AZ	TK	





Material			
No.	Plan	Article	Quantity
1	Y012249	1667265	2
2	YP08901	2629600	1
3*	YP08395 (Method 1)	2615265	1
	YP08896 (Method 2)	2629565	1
4	YP08803	2627965	1
5	X000319	G080200	1
6	X001296	G065155	1
7	X004485 (Black)	1903994	2
8	X005930 (Black)	1916350	4
9	M6 DIN 934	1001670	8
10	Sticker Arrow	1903223	2
11	D100 (Black) No Brake	1917912	2
12	M6 DIN 985	1001680	1
13	M6x12	1007000	8
14	M8x16 DIN 912	1001498	2
15	Sticker Vermeiren	T001051	2
16	D100 (Black) Brake	1917913	2
17	M6x50	1006997	1
18	D4x20	1991373	2
19	Gas Spring 150N	1917602	1
20	---	---	---
21	M10 DIN439B	1903216	1
22	Y000462	F000050	2
23	YP08858DP	2629865	1
24	X000106	G003218	2
25	X000273	G060600	2
26	X002480	1993793	2
27	Pin D8x45	1993594	1
28	M8x60 DIN912	1997781	2

EP00565 / E

LOWER FRAME / LANGUEDOC WITH WHEELS 2020				Plan No.
				EP00565/ E
Scale: 1:6	Drafted	Verified	Confirmed	
Date	02/02/2021	26/05/2023	26/05/2023	
Initials	AZ	AZ	TK	