

EP00254 / G

A (2:3)

Use WEICONLOCK AN 302-43.

USE RADIAL RIVETING MACHINE

Drawing shows only right side

BACKREST TILT MECHANISM TRIGO				Plan No.
				EP00254 / G
Page 1/3				
Scale: 1:3	Drafted	Verified	Confirmed	
Date	02/11/2017	31/03/2021	31/03/2021	
Initials	AS	MK	TK	

Material				
No.	Plan	Article	Quantity	
1***	YP07110(27)	2746165	1	
	YP07111(29)	2746065	1	
	YP07112(31)	2745965	1	
	YP07113(33)	2745865	1	
	YP05964(35)	2788465	1	
	YP05967(37)	2788565	1	
	YP05968(39)	2788665	1	
	YP05969(41)	2788765	1	
	YP05970(43)	2788865	1	
	YP05971(45)	2788965	1	
	YP05972(47)	2789065	1	
	YP05973(49)	2789165	1	
	YP05974(51)	2789265	1	
	2a	YP07119(25R)	2746765	1
		YP07120(27R)	2746665	1
		YP07121(29R)	2746565	1
		YP07122(31R)	2746465	1
		YP07123(33R)	2746365	1
		YP06593(35R)	2737365	1
YP06594(37R)		2737265	1	
YP06595(39R)		2737165	1	
YP06596(41R)		2737065	1	
YP06597(43R)		2736965	1	
2b	YP06598(45R)	2736865	1	
	YP06599(47R)	2736765	1	
	YP06600(49R)	2736665	1	
	YP06601(51R)	2736465	1	
	YP08571(25R)	2621265	1	
	YP08572(27R)	2621165	1	
	YP08573(29R)	2621065	1	
	YP08574(31R)	2620965	1	
	YP08575(33R)	2620865	1	

Material				
No.	Plan	Article	Quantity	
2b	YP06910(35R)	2767165	1	
	YP06911(37R)	2767265	1	
	YP06912(39R)	2767365	1	
	YP06913(41R)	2767465	1	
	YP06914(43R)	2767565	1	
	YP06915(45R)	2767665	1	
	YP06916(47R)	2767765	1	
	YP06917(49R)	2767865	1	
	YP06918(51R)	2767965	1	
	2a	YP07124(25L)	2747265	1
		YP07125(27L)	2747165	1
		YP07126(29L)	2747065	1
		YP07127(31L)	2746965	1
		YP07128(33L)	2746865	1
		YP06602(35L)	2737465	1
		YP06603(37L)	2737565	1
		YP06604(39L)	2737665	1
YP06605(41L)		2737765	1	
YP06606(43L)		2737865	1	
2b	YP06607(45L)	2737965	1	
	YP06608(47L)	2738065	1	
	YP06609(49L)	2738165	1	
	YP06610(51L)	2736565	1	
	YP08576(25L)	2621365	1	
	YP08577(27L)	2621465	1	
	YP08578(29L)	2621565	1	
	YP08579(31L)	2621665	1	
	YP08580(33L)	2621765	1	
	YP06919(35L)	2768065	1	
YP06920(37L)	2768165	1		

** Option

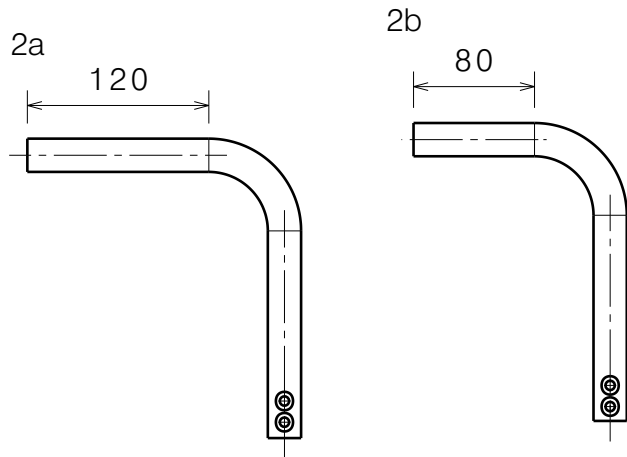
Material				
No.	Plan	Article	Quantity	
2b	YP06921(39L)	2768265	1	
	YP06922(41L)	2768365	1	
	YP06923(43L)	2768465	1	
	YP06924(45L)	2768565	1	
	YP06925(47L)	2768665	1	
	YP06926(49L)	2768765	1	
	YP06927(51L)	2768865	1	
	3	XP01632	GP09399	1
	4	XP01631	GP09299	1
	5	XP01633	GP09500	1
6	XP01861	GP12900	1	
7	XP01862	GP13200	1	
8	XP03093	GP00286	1	
9	XP02407	GP17800	1	
10	XP03203	GP25700	1	
11	M5x12 DIN 7991	2994076	2	
12	M4x12	2994126	2	
13	CAP D22	1990648	1	
14	---	---	---	
15	M6x30 DIN 7991	2994116	2	
16	M6	2994059	2	
17	Washer M8	1001556	2	
** 18	Fold. push handle	EP00246	1	
** 19	M6x10	2994127	4	
* 20	---	1000899	1	
* 21	---	2993049	1	
* 22	---	2991192	1	
* 23	---	T001063	1	

*Used to connect left and right side, use one per wheelchair

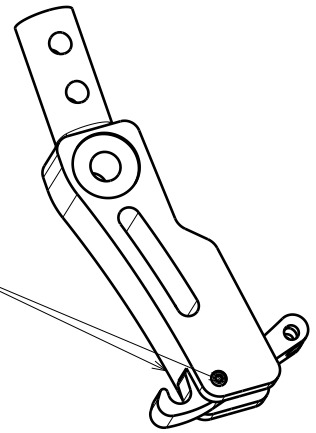
*** When using a folded handle, select 2 sizes shorter tube

EP00254 / G

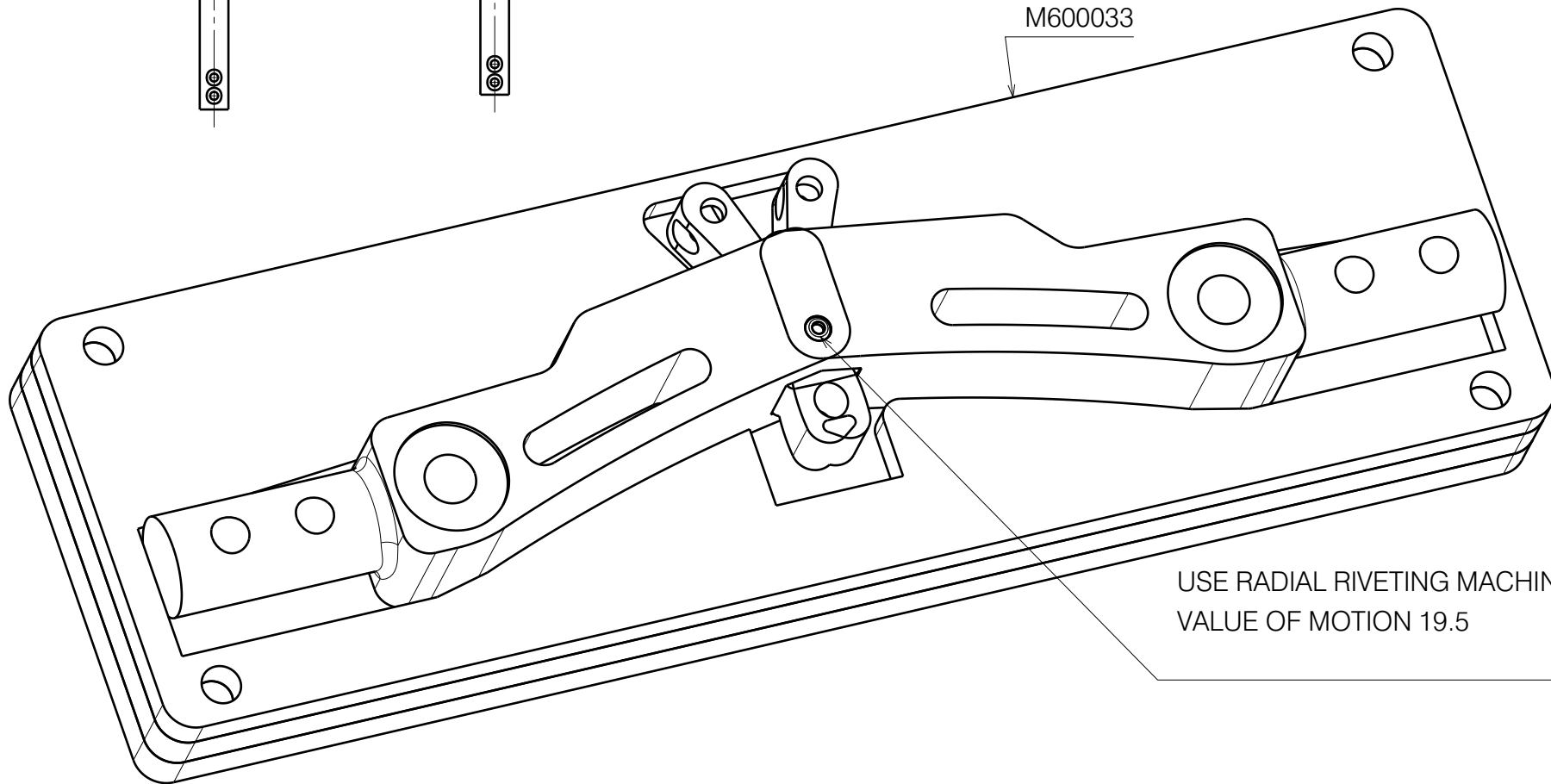
BACKREST TILT MECHANISM TRIGO				Plan No.
Page 2/3				EP00254 / G
Scale: 1:3	Drafted	Verified	Confirmed	
Date	02/11/2017	31/03/2021	31/03/2021	
Initials	AS	MK	TK	



USE RADIAL RIVETING MACHINE



M600033



USE RADIAL RIVETING MACHINE , SET THE VALUE OF MOTION 19.5

EP00254 / G

BACKREST TILT MECHANISM TRIGO				Plan No.
Page 3/3				EP00254 / G
Scale: 1:3	Drafted	Verified	Confirmed	
Date	02/11/2017	31/03/2021	31/03/2021	
Initials	AS	MK	TK	