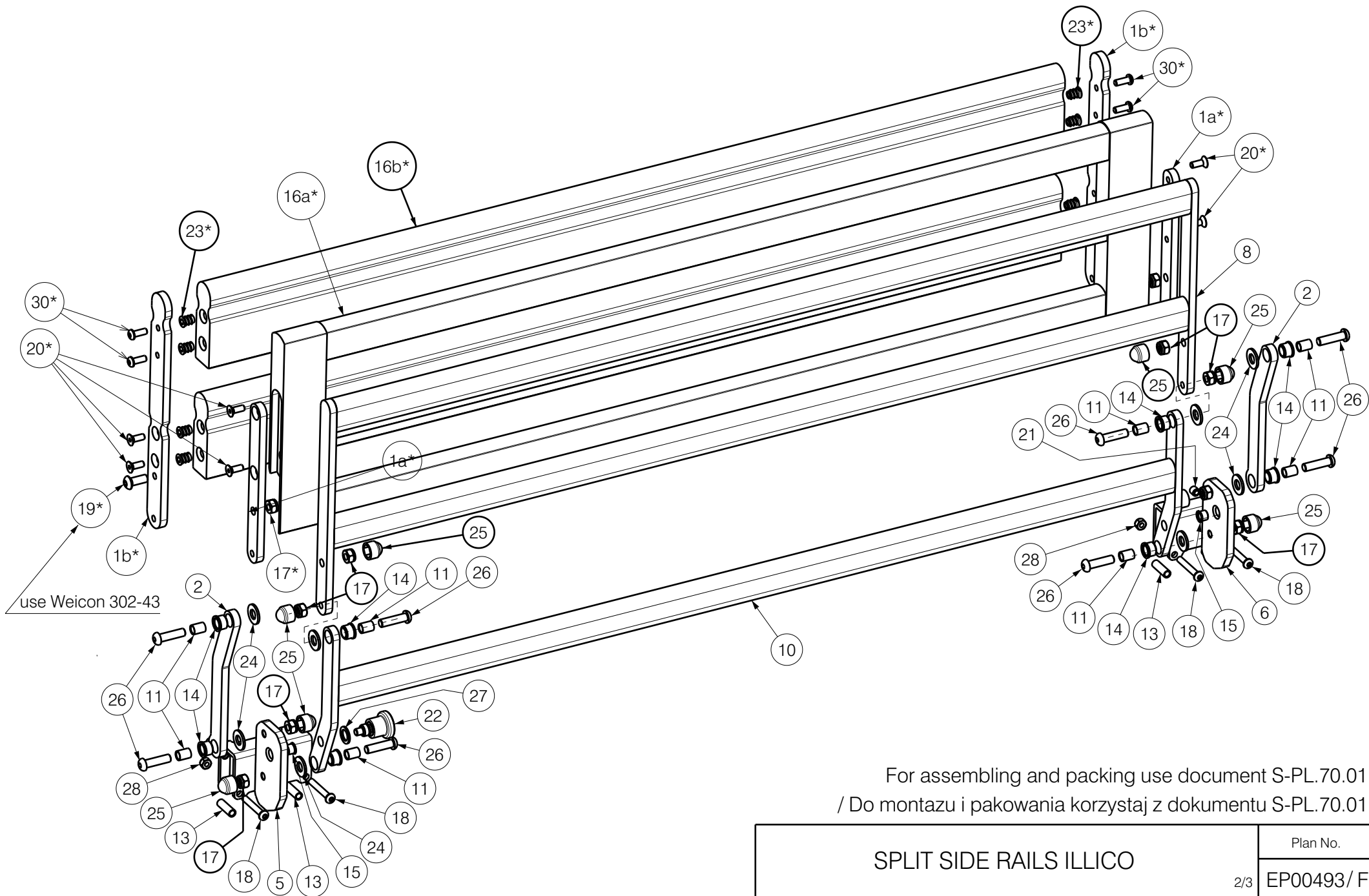


For assembling and packing use document S-PL.70.01
/ Do montażu i pakowania korzystaj z dokumentu S-PL.70.01

SPLIT SIDE RAILS ILLICO				Plan No.
				1/3 EP00493/ F
Scale: 1:5	Drafted	Verified	Confirmed	
Date	17/02/2020	16/03/2021	16/03/2021	
Initials	DR	AZ	TK	

EP00493 / F

* - depends on option / zależnie od opcji
Right headsided depicted / Na ilustracji prawa strona zagłowka



For assembling and packing use document S-PL.70.01
 / Do montazu i pakowania korzystaj z dokumentu S-PL.70.01

SPLIT SIDE RAILS ILLICO				Plan No.
				2/3 EP00493/ F
Scale: 1:5	Drafted	Verified	Confirmed	
Date	17/02/2020	16/03/2021	16/03/2021	
Initials	DR	AZ	TK	

EP00493 / F

* - depends on option / zależnie od opcji
 Right footside depicted / Na ilustracji prawa strona podnozka

Material			
No.	Plan	Article	Quantity
1a*	YP07984	2603782	8
1b*	YP08012	2606882	8
2	YP07990	2603882	8
3	YP08013	2603982 (L)	1
	YP08014	2604082 (R)	1
4	YP08015	2604182 (L)	1
	YP08016	2604282 (R)	1
5	YP08017	2604382 (L)	1
	YP08018	2604482 (R)	1
6	YP08019	2604582 (L)	1
	YP08020	2604682 (R)	1
7	YP08021	2604782	2
8	YP08022	2604882	2
9	YP08023	2604982	2
10	YP08024	2605082	2
11	XP03050	GP23100	32
12a*	XP02891	HP00634 (beech)	2
	XP02931	HP00643 (bl. oak)	2
	XP03039	HP00667 (nat. oak)	2
	XP03040	HP00668 (wen. oak)	2
	XP03041	HP00669 (wal. oak)	2
12b*	XP02902	HP00641 (oxide)	4
	XP03197	HP00695 (beech)	4
13	XP03116	GP24700	14
14	XP02893	2994748	32
15	XP02894	GP21800	8
16a*	XP02895	HP00637 (beech)	2
	XP02932	HP00644 (bl. oak)	2
	XP03042	HP00670 (nat. oak)	2
	XP03043	HP00671 (wen. oak)	2
	XP03044	HP00672 (wal. oak)	2
16b*	XP02903	HP00642 (oxide)	4
	XP03198	HP00696 (beech)	4

Material			
No.	Plan	Article	Quantity
17*	Nut M8 Selflocking	1001682	40
18	M6x40	1006111	14
19*	M8x20	1992349	8
20*	M6x16 DIN7991	1994752	16
21	M8x8 DIN916	2996665	8
22	Blocker pin M12	2994540	4
23*	Insert M6x13	2995002	32
24	Washer M10 PVC	1001557	32
25	Nut cap M8 grey	2994898	32
26	M8x30	1992717	32
27	Washer ALU ϕ 12	2994925	4
28	Nut M6 Selflocking	1001680	14
29**	XP03129 box	U000430	1
30*	M6x16	1008459	16

* - depends on option / zaleznie od opcji

** - not depicted / nie ujeta

For assembling and packing use document S-PL.70.01
/ Do montazu i pakowania korzystaj z dokumentu S-PL.70.01

SPLIT SIDE RAILS ILLICO				Plan No.
				3/3 EP00493/ F
Scale: 1:5	Drafted	Verified	Confirmed	
Date	17/02/2020	16/03/2021	16/03/2021	
Initials	DR	AZ	TK	

EP00493 / F