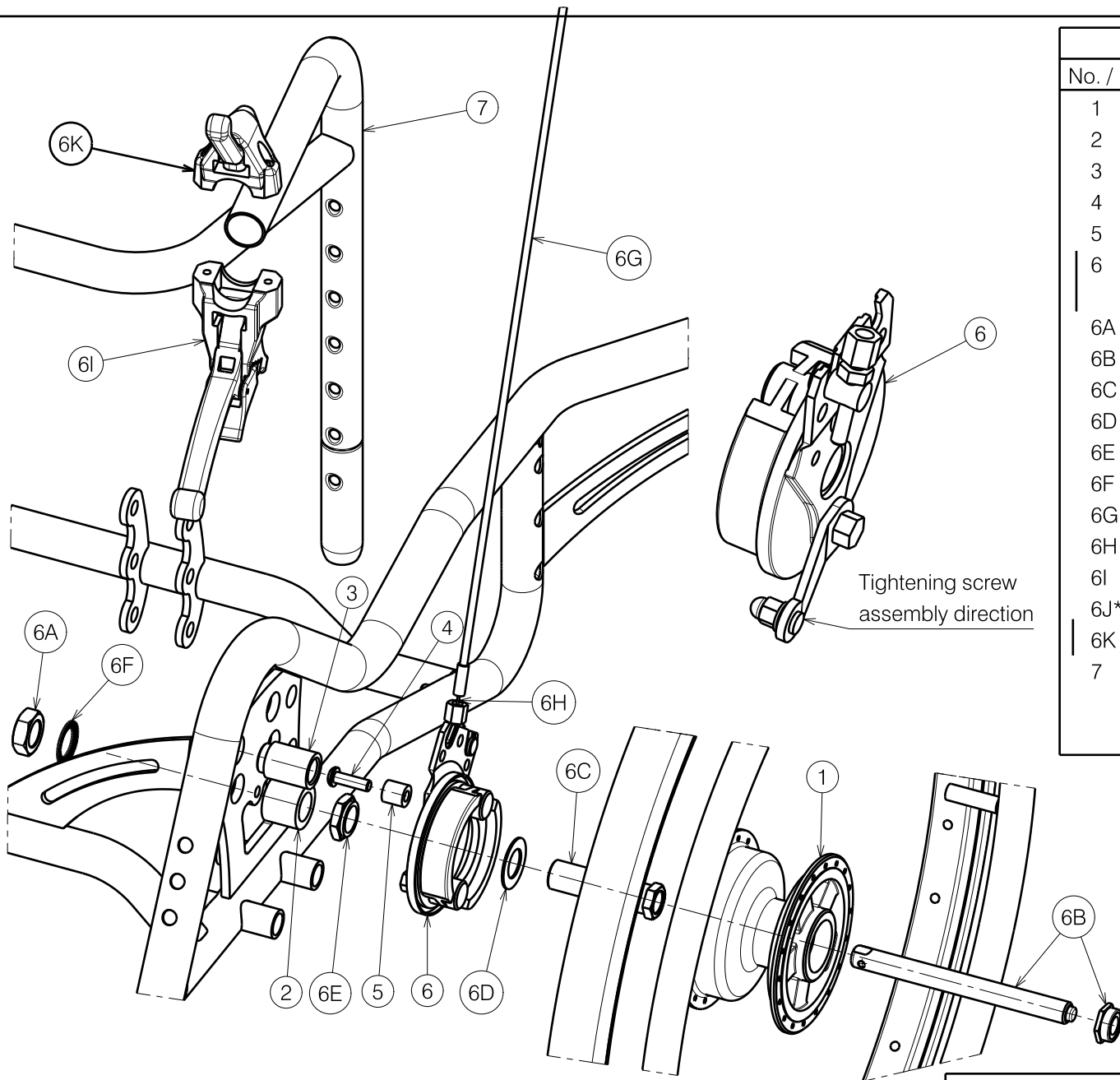


Material / Materiaal			
No. / Nr.	Plan	Article / Artikel	Quantity / Aantal
1	24"	1914614	2
2	X002678	1994448	2
3	X003379	1659100	2
4	M6x20 ISO7380	1006999	2
5	X002703	1563700	2
6	---	1921618 (L)	1
		1921619 (R)	1
6A	X002437	1992699	2
6B	---	1906205	2
6C	X005815	1914817	2
6D	X005814	1914816	2
6E	X005816	1914818	2
6F	M16 type S DIN 17222	1911653	2
6G	---	1993218	2x1.05 m
6H	---	1004094	2
6I	∅22	1994012	2
6J	---	1004109	2
6K	Y017808	1921543	2
7	Y017654	1756462 (40)	1
	Y017809	1756562 (45)	1
		1756662 (50)	1

Left side is depicted

E000420 / H

INOVYS DETACHABLE DRUM BRAKE WHEEL				Plan No. / Plannr.
Page 1/2 - 24 inch wheel				E000420 / H
Scale / Schaal: 1:2	Drafted / Getekend	Verified / Nagezien	Confirmed / Bevestigd	
Date / Datum	17/01/2008	12/07/2024	12/07/2024	
Init. / Init.	SD	SD	PJ	



Material / Materiaal			
No. / Nr.	Plan	Article / Artikel	Quantity / Aantal
1	22"	1914615	2
2	X002678	1994448	2
3	X003379	1659100	2
4	M6x20 ISO7380	1006999	2
5	X002703	1563700	2
6	---	1921618 (L)	1
		1921619 (R)	1
6A	X002437	1992699	2
6B	---	1906205	2
6C	X005815	1914817	2
6D	X005814	1914816	2
6E	X005816	1914818	2
6F	M16 type S DIN 17222	1911653	2
6G	---	1993218	2x1.05 m
6H	---	1004094	2
6I	∅22	1994012	2
6J*	---	1004109	2
6K	---	1921543	2
7	Y017808	1756462 (40)	1
	Y017654	1756562 (45)	1
	Y017809	1756662 (50)	1

* Not depicted

Right side is depicted

E000420 / H

INOVYS DETACHABLE DRUM BRAKE WHEEL				Plan No. / Plannr.
Page 2/2 - 22 inch wheel				E000420 / H
Scale / Schaal: 2:5	Drafted / Getekend	Verified / Nagezien	Confirmed / Bevestigd	
Date / Datum	17/01/2008	12/07/2024	12/07/2024	
Init. / Init.	SD	SD	PJ	