

Sheet 1/2

1907127

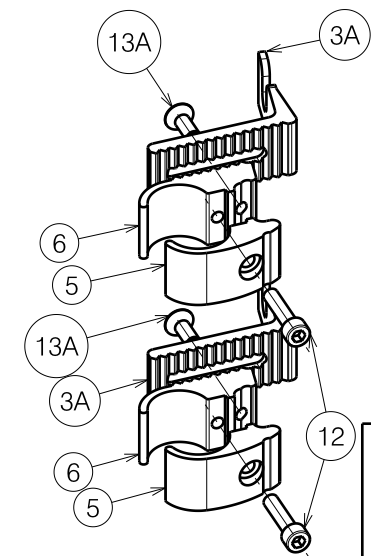
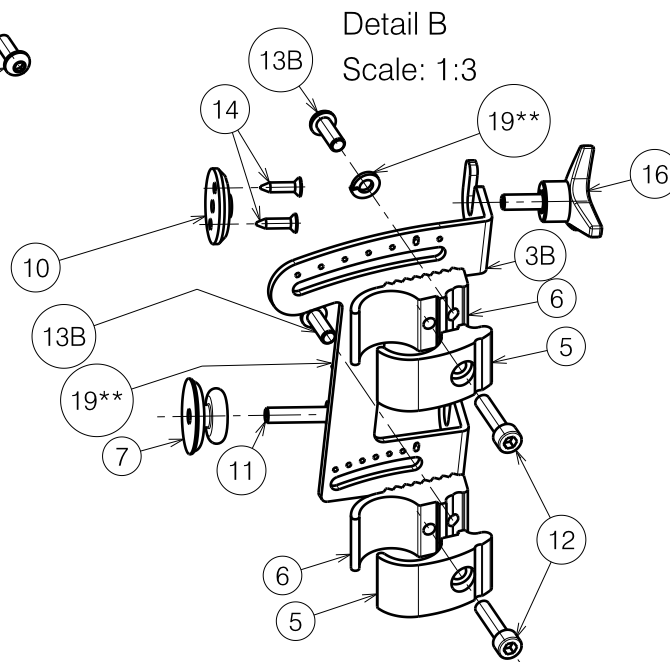
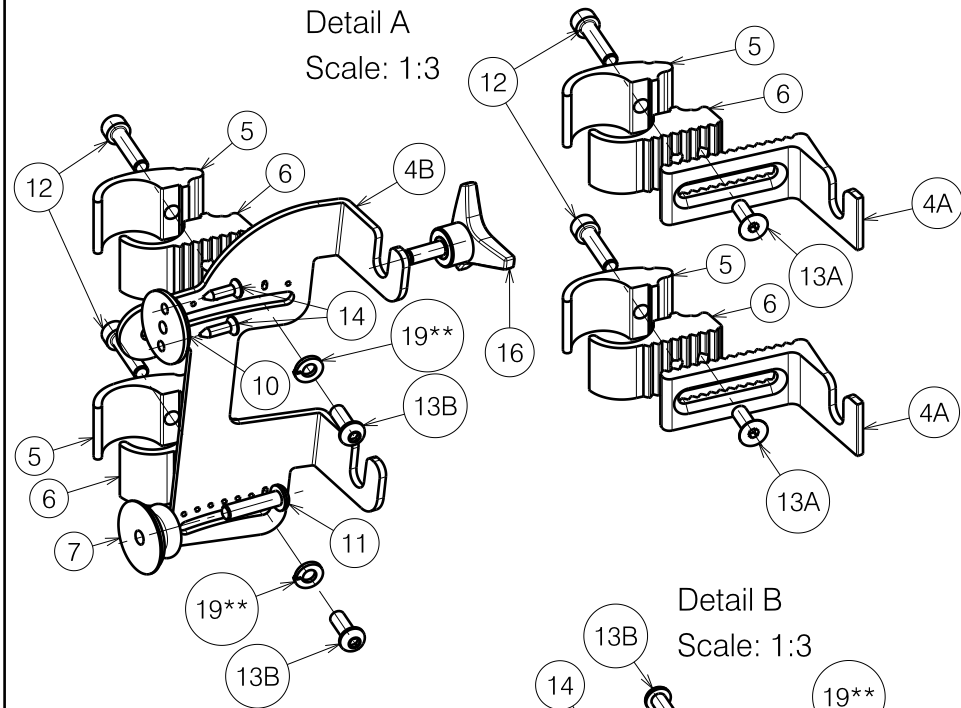
E000723 / I

V-SERIES XL L14-L14I / L15 SOFT				Plan No.
				E000723 / I
Scale: 1:6	Drafted	Verified	Confirmed	
Date	11/04/2011	24/04/2017	24/04/2017	
Initials	SD	TT	PJ	

Material			
No.	Plan	Article	Quantity
1	---	1907029 (53)	1
	---	1907030 (56)	1
	---	1907031 (60)	1
2	---	1907038 (53)	1
	---	1907039 (56)	1
	---	1907040 (60)	1
3A	X004822	1744732 (L)	2
3B	Y021697	2018954 (L)	1
4A	X004823	1744832 (R)	2
4B	Y021698	2019054 (R)	1
5	X004820	1744532 (D22)	4
	X004832	1744932 (D25,4)	4
6	X004821	1744632 (D22)	4
	X004833	1745032 (D25,4)	4
7	X004861	1906454	2
8	---	3992114	2
9	---	3992113	2
10	X001052	G066600	2
11	M6x25	1006998	2
12	M6x25 DIN912/8.8	1001494	4
13A	M6x16 DIN7991/8.8	1994752	4
13B	M6x16	1008459	4
13*	M6x10 DIN7991/8.8	1904683	4
14	Ø3.9x16 DIN7982	1005767	4
15	M6x16	1008459	8
16	M6x20	1009932	2
17	M6 DIN125A	1001564	8
18	Y021630	2013104	4
19**	M6 DIN127B	1004414	4

* = Not Depicted


** = Angle adjustable hooks



Sheet 2/2

1907127

E000723 / I

V-SERIES XL L14-L14I / L15 SOFT				Plan No.
				E000723 / I
Scale: 1:6	Drafted	Verified	Confirmed	
Date	11/04/2011	24/04/2017	24/04/2017	
Initials	SD	TT	PJ	