

Locking mechanism see
E00053247

Left side depicted only

Front fork see
E00054057

NOTICE: THE INFORMATION CONTAINED ON THIS DRAWING IS
PROPRIETARY TO VERMEIREN GROUP AND SHALL NOT BE DISCLOSED IN
WHOLE OR IN PART, OR USED FOR ANY DESIGN OR MANUFACTURE,
EXCEPT WHEN SUCH USER POSSESSES DIRECT WRITTEN AUTHORISATION
FROM VERMEIREN GROUP.

Sheet 1/3

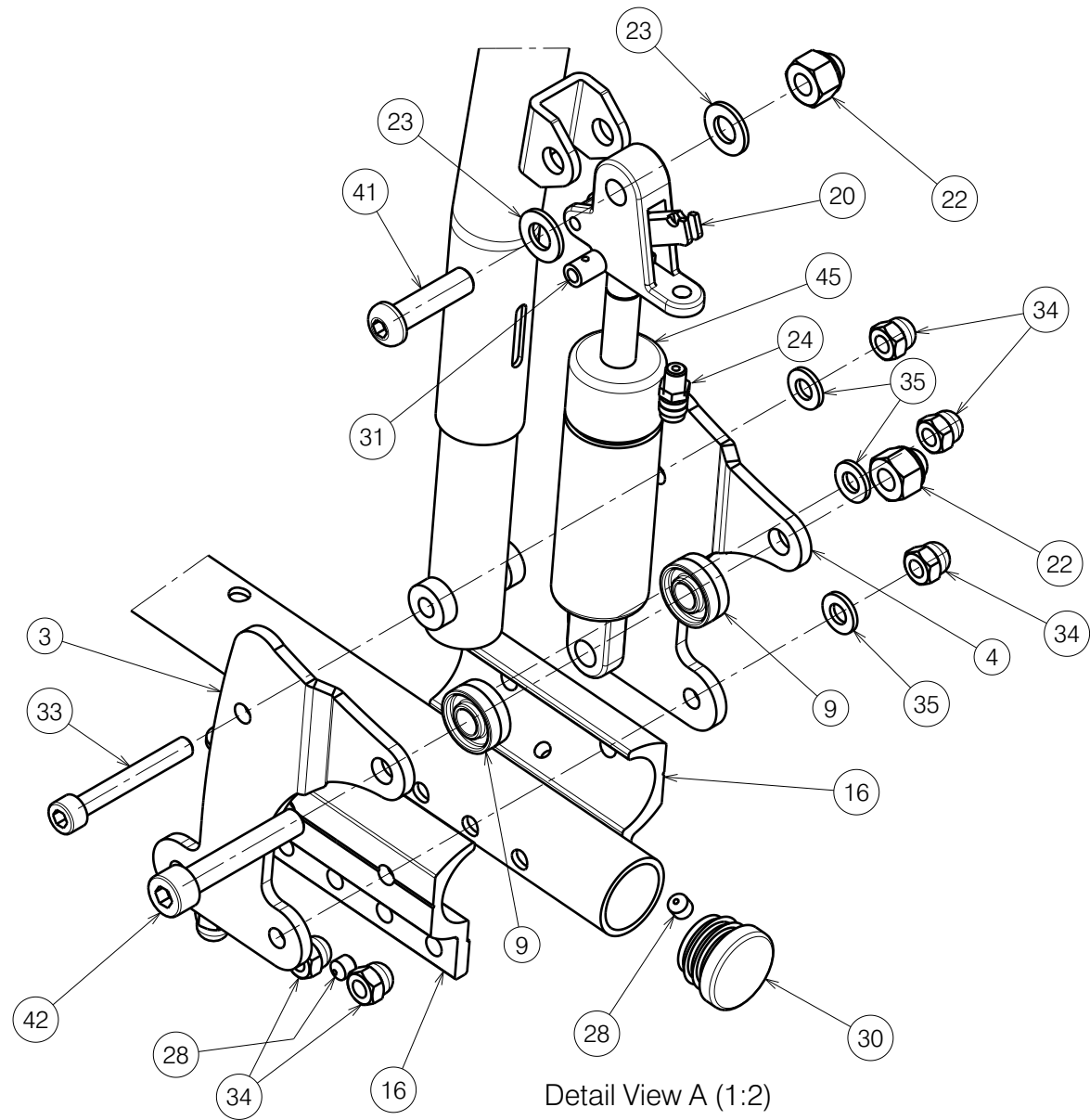
2996083

VERSO 30° SIDE FRAME BI5 GAS SPRING

Plan No.
E00083256/B.1

Scale:	1:4	Drafted	Verified	Confirmed
Date	21/06/2024	21/08/2024	21/08/2024	
Initials	SD	SD	PJ	





Detail View A (1:2)

NOTICE: THE INFORMATION CONTAINED ON THIS DRAWING IS PROPRIETARY TO VERMEIREN GROUP AND SHALL NOT BE DISCLOSED IN WHOLE OR IN PART, OR USED FOR ANY DESIGN OR MANUFACTURE, EXCEPT WHEN SUCH USER POSSESSES DIRECT WRITTEN AUTHORISATION FROM VERMEIREN GROUP.

Sheet 2/3

2996083

VERSO 30° SIDE FRAME BI5 GAS SPRING

Plan No.

E00083256/B.1

Scale:	1:2	Drafted	Verified	Confirmed
Date	21/06/2024	21/08/2024	21/08/2024	
Initials	SD	SD	PJ	



Material			
No.	Plan	Article	Qty
1	P00023284	26384.. (L)	1
	P00023286	26385.. (R)	1
2	P00029535	2647954	2
3	P00037071	2654954	2
4	P00037072	2654854	2
6	Y017346	1748004	2
7	Y017412	1747800	2
9	X002480	1993793	4
10	X004308	1904129	4
11	X004309	1904133	4
12	X004415	17193	2
13	X004471	1713399	2
14	X004597	1905121	2
15	X004689	1734600	6
16	X004697	1745199	4
17	X004818	1906184	2
18	X004876	1747754	2
19	X005565	1912287	2
20	XC00812	3992513	2
22	M8 DIN986	1902024	4
23	M8 DIN125	1003199	4
24	M6x10	1003282	2
25	D3x16 DIN1481	1003791	2

Material			
No.	Plan	Article	Qty
27	M6x16	1906622	2
28	M6x6 DIN914	1909924	6
29	M5x20 DIN912	1915452	8
30	D25	1991857	4
31	D7x10	1996853	2
32	M5 DIN985	2994006	8
33	M6x45 DIN912	2994058	6
34	M6 DIN986	2994059	26
35	M6 DIN125	2994414	16
36	M6x35 DIN7984	2994654	2
37	M6x50 DIN912	2995258	6
38	M6 DIN7349	2995261	2
39	M6x60 DIN912	2995262	4
40	M6x40 DIN7984	2995263	4
41	M8x30 ISO7380	2995396	2
42	M8x45 DIN912	2995397	2
43	M6x25 DIN912	2996887	4
44	D4.8x22 DIN7981	3991881	4
45	400 N	3992509	2
47	---	3994495	2
47A	---	1998292	2
47B	---	3992512	2
48	E000734	B90 Univ.	1

Quantities are for one wheelchair
Left side depicted only

NOTICE: THE INFORMATION CONTAINED ON THIS DRAWING IS PROPRIETARY TO VERMEIREN GROUP AND SHALL NOT BE DISCLOSED IN WHOLE OR IN PART, OR USED FOR ANY DESIGN OR MANUFACTURE, EXCEPT WHEN SUCH USER POSSESSES DIRECT WRITTEN AUTHORISATION FROM VERMEIREN GROUP.

Sheet 3/3

2996083

VERSO 30° SIDE FRAME BI5 GAS SPRING

Plan No.

E00083256/B.1

Scale:	1:4	Drafted	Verified	Confirmed
Date	21/06/2024	21/08/2024	21/08/2024	
Initials	SD	SD	PJ	

