
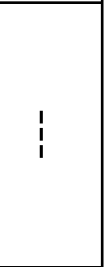
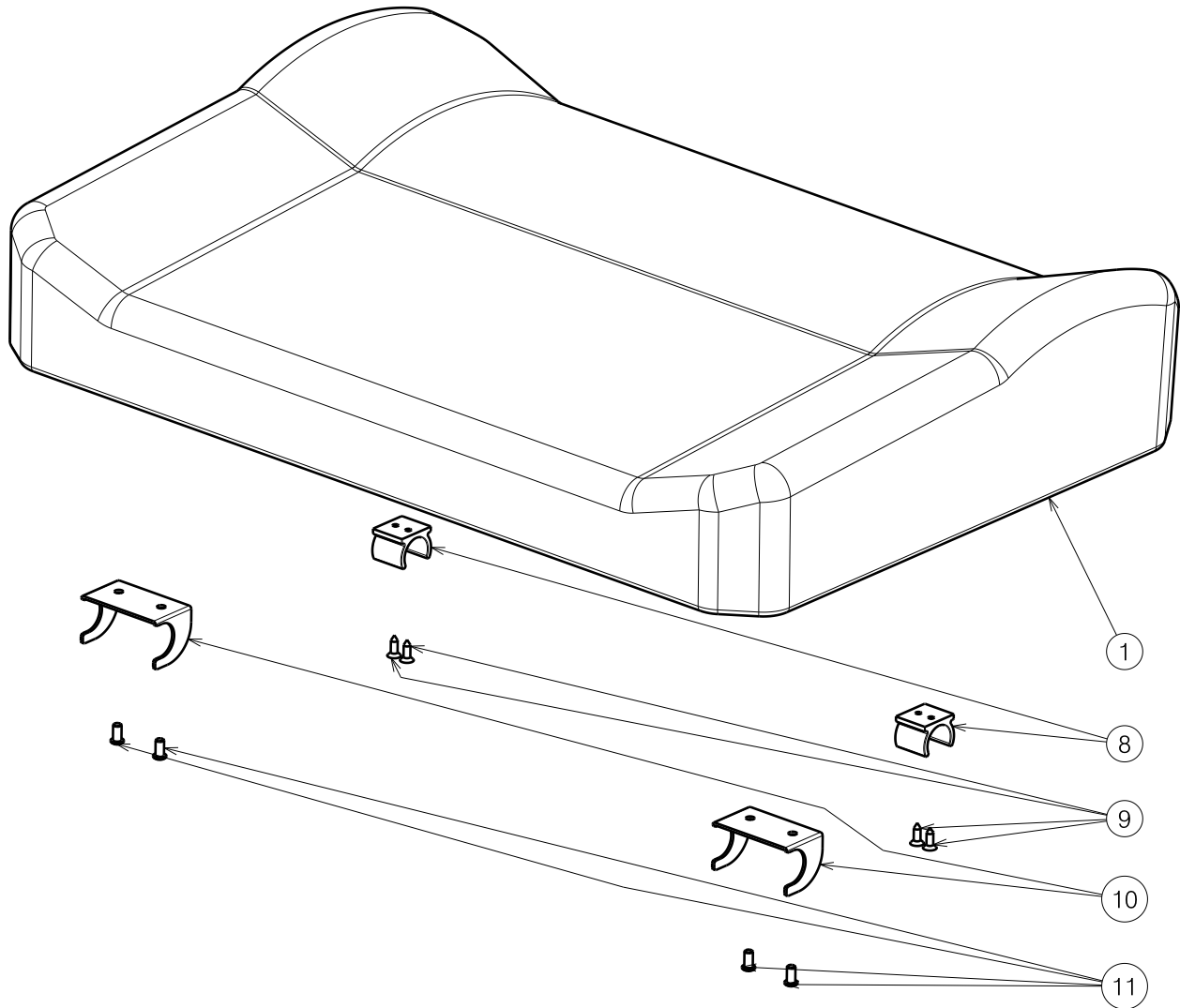


SEAT COMFORT CHAIR 2009 XXL				Plan Number
Sheet 1/2 - Seat - 1905150				E000606/A
Scale: 1:5	Drafted	Verified	Confirmed	
Date	02/12/2009	02/12/2009	02/12/2009	
Initials	DDR	SD	PJ	

Material			
No.	Plan	Article	Quantity
1	---	1905150	1
2*	---	F006178	1
3*	X004517	1905149	1
4*	---	1998461	4
5*	---	1992516	4
6*	X004505	H7620	1
7*	---	1005328	1
8	XP00106	2990072	2
9	---	1005767	4
10	YP00717	1821854	2
11	---	1007000	4

* Part of 1905150



SEAT COMFORT CHAIR 2009 XXL				Plan Number E000606/A
Sheet 2/2 - Mounting Seat				
Scale: 1:5	Drafted	Verified	Confirmed	
Date	02/12/2009	02/12/2009	02/12/2009	
Initials	DDR	SD	PJ	