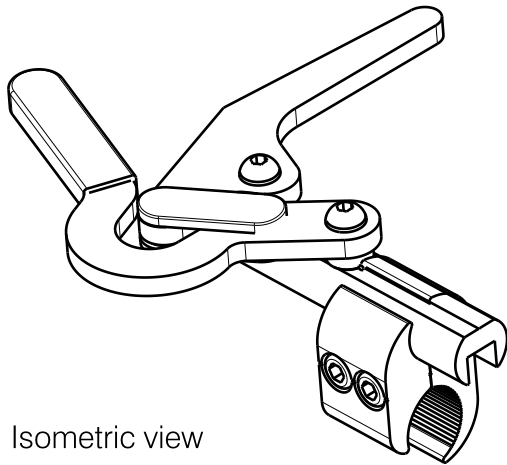
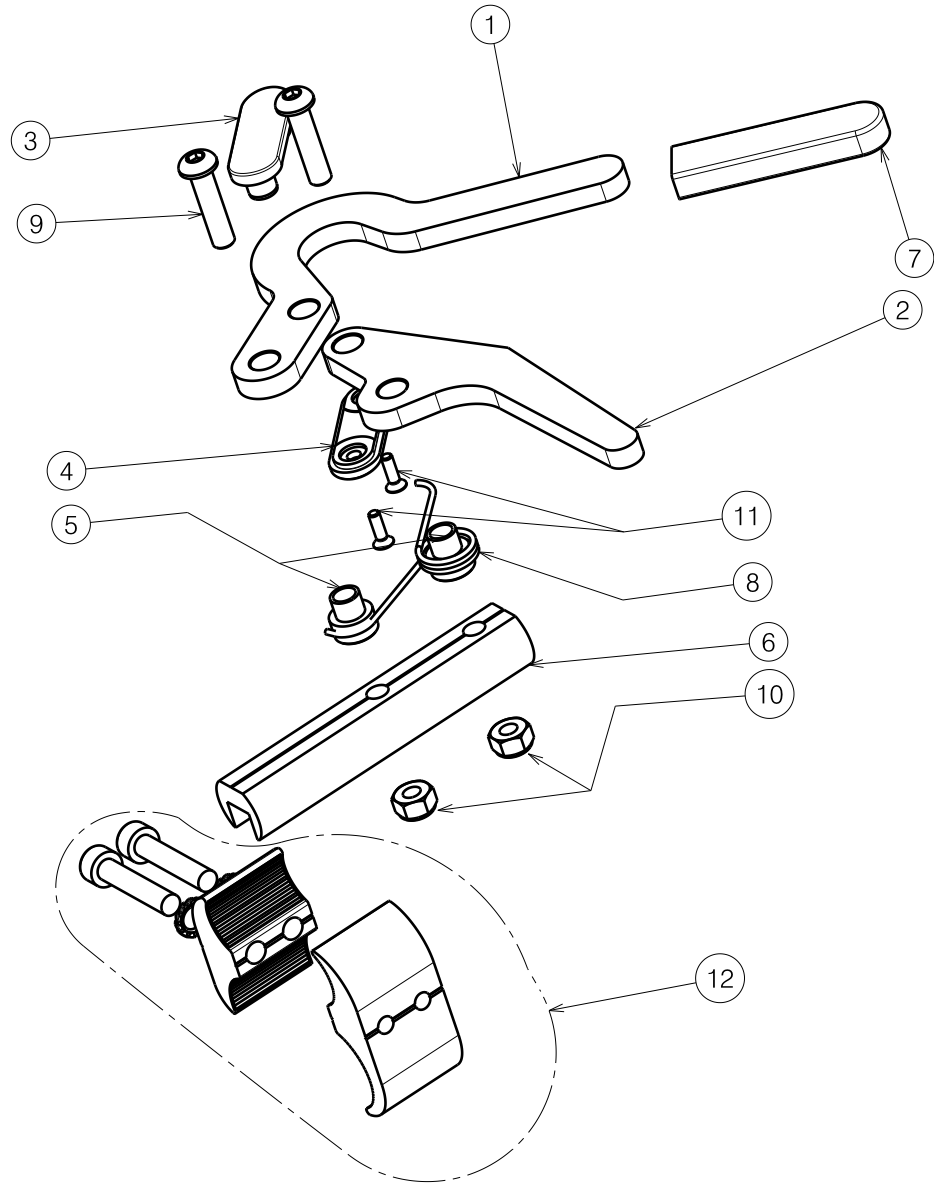


Material			
No.	Plan	Article	Quantity
1	XP00802	2821199	1
2	XP00801	2821099	1
3	XP00804	2821404	2
4	XP00803	2821204	1
5	XP00806	2821600	1
6	XP00807	2821599	1
7	XP00805	1007521	1
8	XP00813	2992425	1
9	---	1992968	2
10	---	1001680	2
11	M3x10	2992424	2
12	---	2990321	1



Isometric view

Scale: 1:2

BREAK RIGHT SAGITTA				Plan Number
				EP00037/C
Scale: 1:2	Drafted	Verified	Confirmed	
Date	19/05/2011	11/12/2015	11/12/2015	
Initials	AS	MKR	TK	