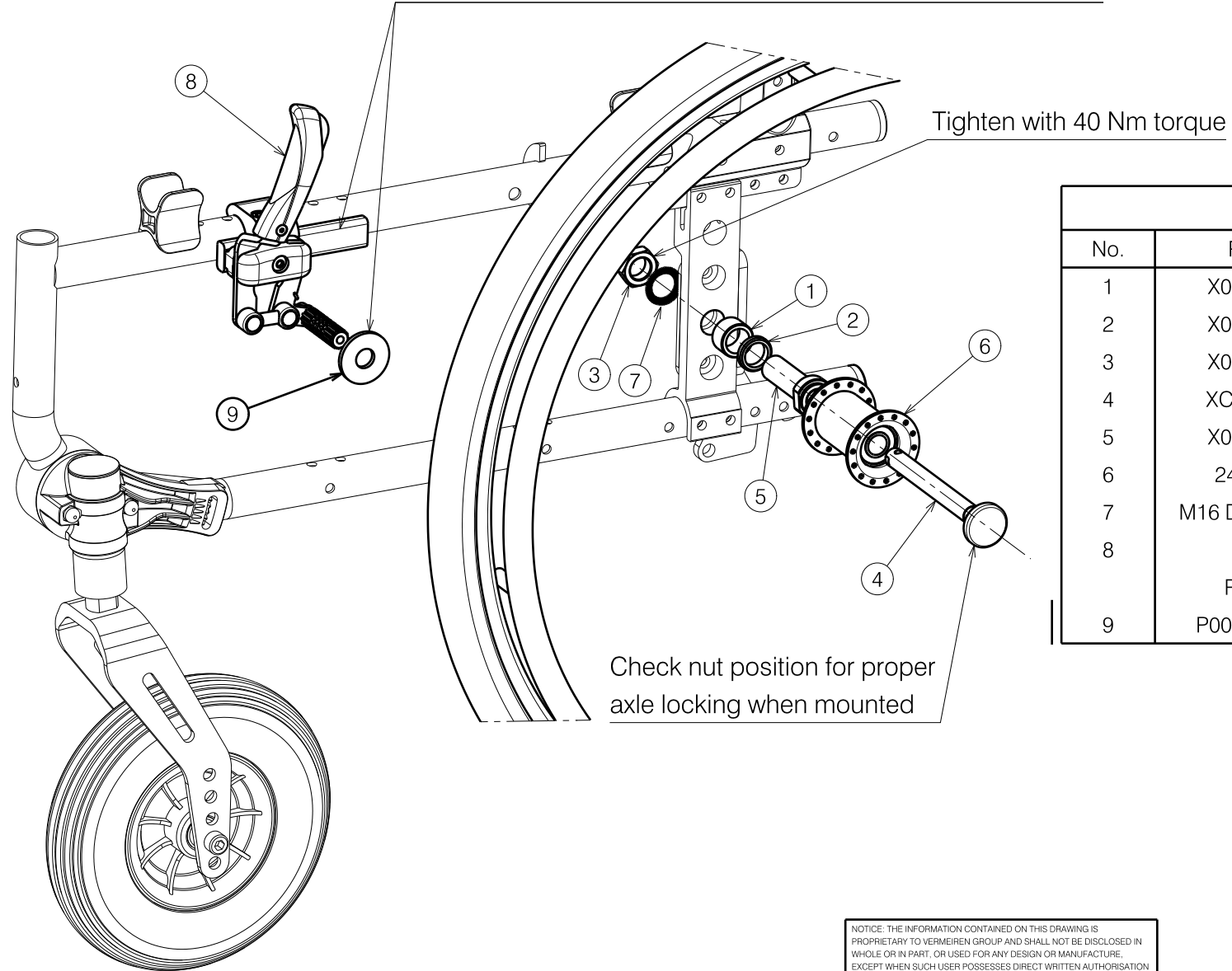


Adjust position to have brake force at 60N with calibre 2086903



BOM			
No.	Plan	Article	Qty
1	X000185	G000790	2
2	X001380	1009726	2
3	X002437	1992699	2
4	XC00037	3990106	2
5	X005828	1905244	2
6	24 inch	1915351	2
7	M16 DIN17222	1911653	2
8	Left	1918195	1
	Right	1918196	1
9	P00066852	2086903	1

NOTICE: THE INFORMATION CONTAINED ON THIS DRAWING IS PROPRIETARY TO VERMEIREN GROUP AND SHALL NOT BE DISCLOSED IN WHOLE OR IN PART, OR USED FOR ANY DESIGN OR MANUFACTURE, EXCEPT WHEN SUCH USER POSSESSES DIRECT WRITTEN AUTHORISATION FROM VERMEIREN GROUP.

1920255

VERSO 24 INCH WHEEL ADAPTOR KIT

Plan No.

E00058416/C.1

Scale: 13:50	Drafted	Verified	Confirmed
Date	10/05/2023	05/12/2023	05/12/2023
Initials	SD	SD	PJ

