



**VERMEIREN  
NV**

Vermeirenplein 1-15  
2920 Kalmthout  
www.vermeiren.com

Made in Poland

**NeoFlex**

**U180Neo.**

**size L**

contains:

76% Polyethylene

15% Polyester

7% Polyethersulfone

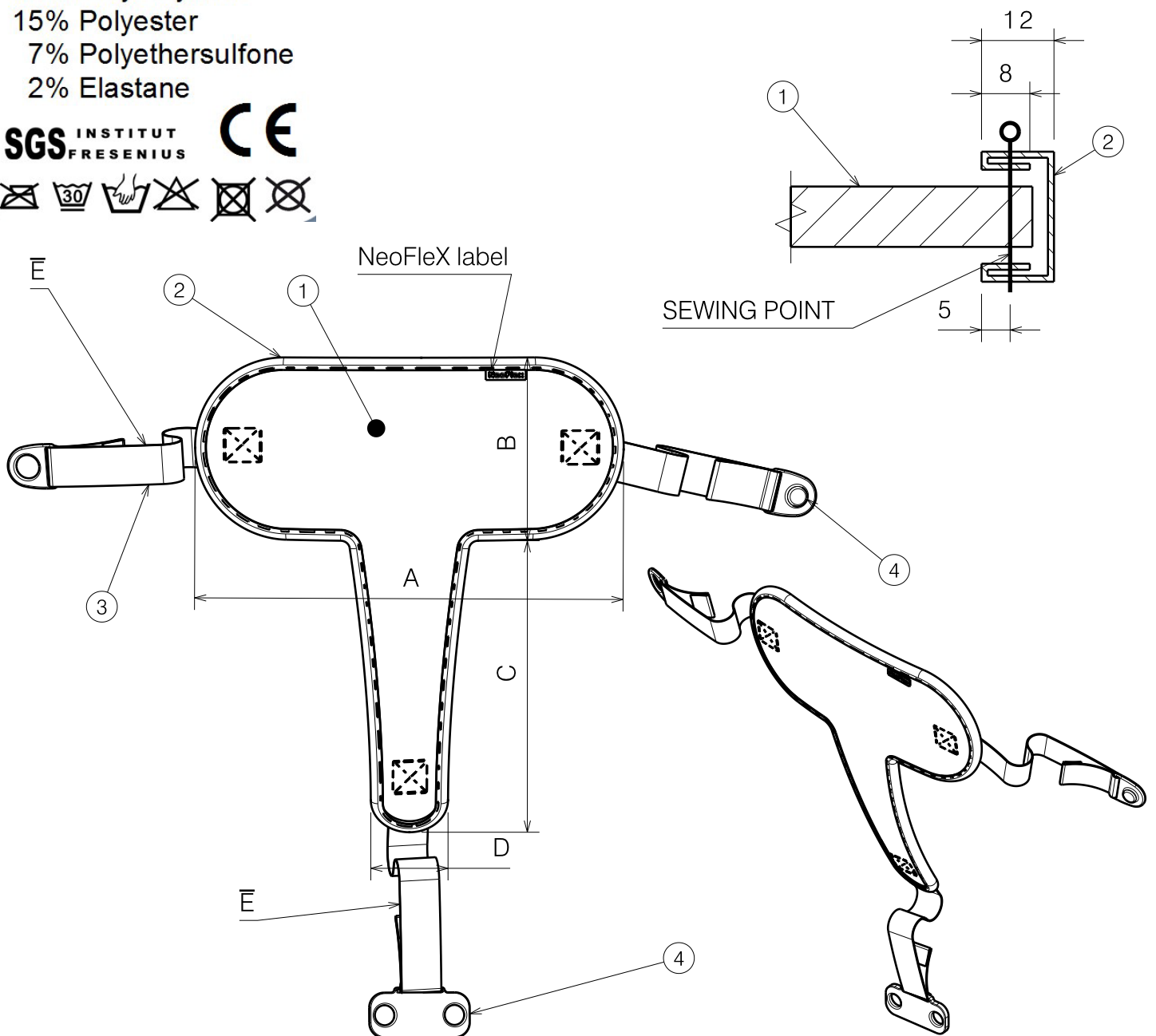
2% Elastane

**SGS** INSTITUT  
FRESENIUS



Material			
No.	Article	S	L
1	2994147	0,1	0,15
2	2991886	1,5	2
3	2994165	2	2,5
4	2996536	3	3

Sizes [cm]						
	A	B	C	D	E	Article
S	40	15	30	6	65	2994162
L	60	15	40	6	80	2994163



EP00317 / A

NEO U180P ABDOMINAL BELT PER				Plan No.
				EP00317 / A
Scale: N/A	Drafted	Verified	Confirmed	
Date	31/07/2018	31/07/2018	31/07/2018	
Initials	FD	AS	TK	