

Use WEICONLOCK
AN 302-43

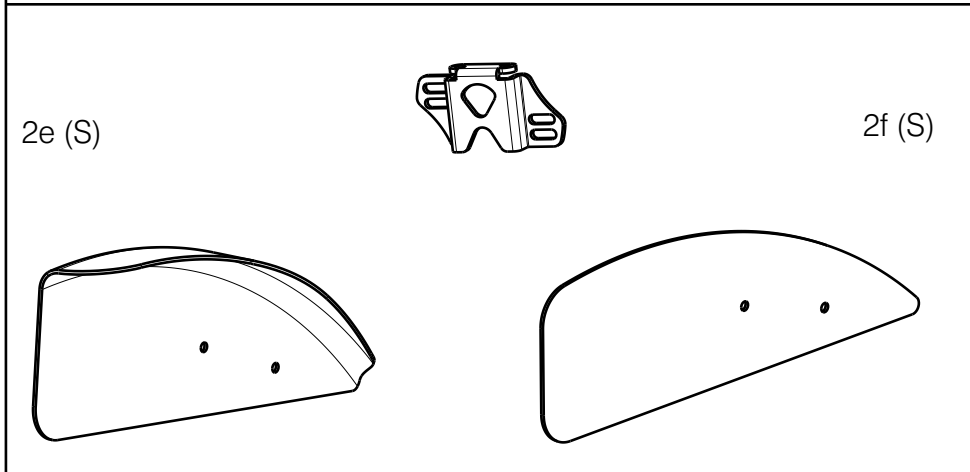
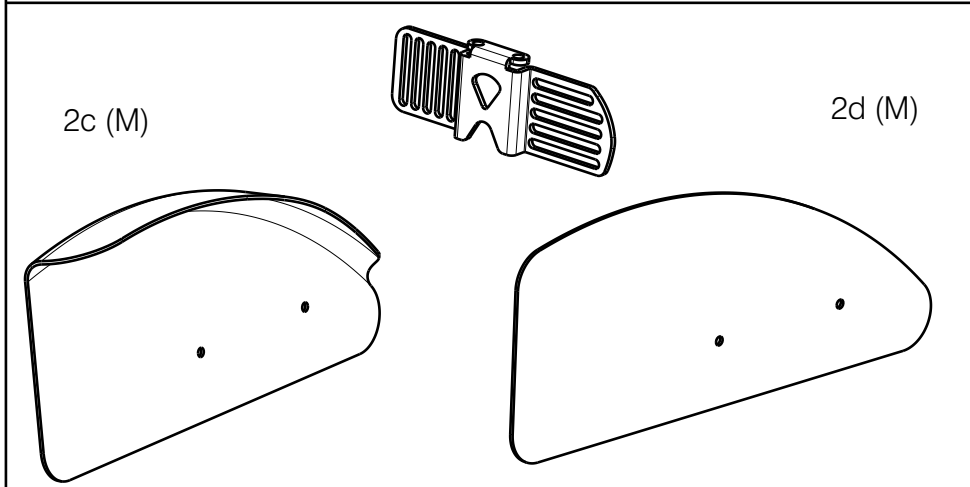
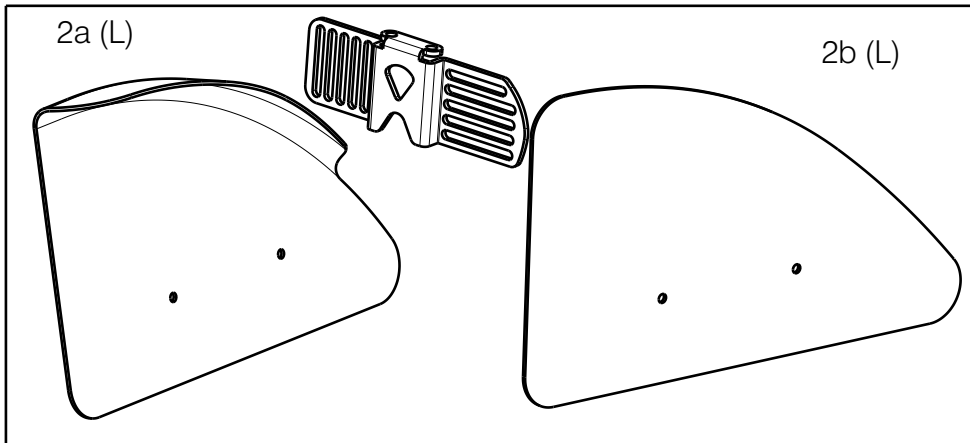
REMOVABLE SIDE GUARD NOT POSSIBLE WITH CAMBER 6°
WITH OFFROAD WHEELS NOT POSSIBLE 4° AND 6°

Degrease the screws before using the glue.

| For assembling use document S-PL.40.06 Page 1/3

REMOVABLE SIDE GUARD CARBON TRIGO			
Scale:	1:3	Drafted	Verified
Date	2022-05-17	19/08/2022	19/08/2022
Initials	AS	PM	AZ

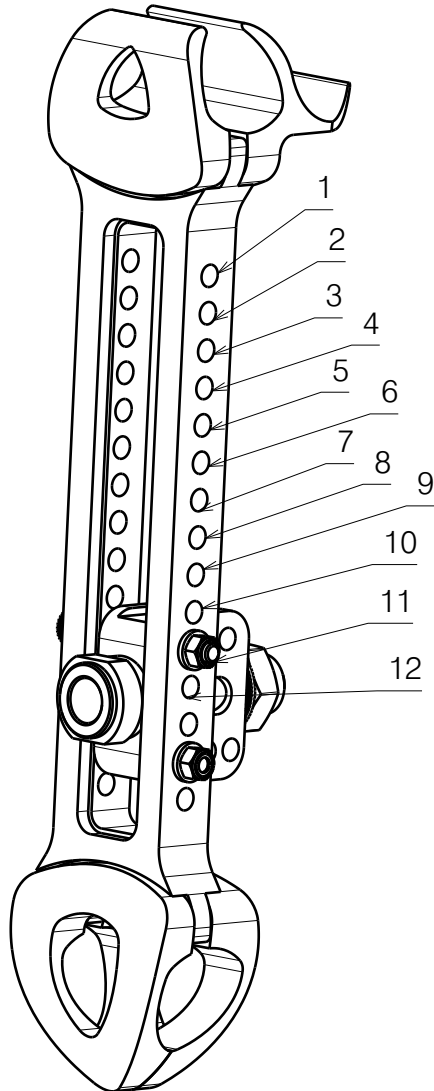
Plan No.
E00030409/B.1



Material			
No.	Plan	Article	Quantity
1	YP08854(R)Small	2642254	1
	YP08855(L)Small	2642354	1
	YP09262(R)Large	2642454	1
	YP09263(L)Large	2642554	1
2a	XP01938(R)	2993612	1
	XP01941(L)	2993615	1
2b	XP01939(R)	2993613	1
	XP01973(L)	2993631	1
2c	XP03336(R)	2997124	1
	XP03337(L)	2997125	1
2d	XP03387(R)	2997396	1
	XP03388(L)	2997397	1
2e	XP03340(R)	2997126	1
	XP03341(L)	2997127	1
2f	XP03389(R)	2997399	1
	XP03390(L)	2997398	1
3	XP03353	GP27599	1
4	XP03056	GP23299	1
5	XP01730	GP11200	1
6	M5X6DIN912	1997822	1
7	M6x25	2994897	2
8	M4x16	2994070	2
9	NutM5black	2994006	2
10	NutM4	1001678	2
11	M5DIN125A	2994069	4
12	M5x12	2994074	4
13	XP03080	2996656	1
14	XP03091	2996662	1

| For assembling use document S-PL.40.06 Page 2/3

REMOVABLE SIDE GUARD CARBON TRIGO				---
Scale: 1:1				Plan No.
Date: 2022-05-17				E00030409/B.1
Initials: AS PM AZ				
Date: 19/08/2022				




SEAT HEIGHT REAR																							
	315	325	335	345	355	365	375	385	395	405	415	425	435	445	455	465	475	485	495	505	515	525	
18"		3	4	5	6	7	8	9	10	11	12												
20"			1	2	3	4	5	6	7	8	9	10	11	12									
22"					1	2	3	4	5	6	7	8	9	10	11	12							
24"								1	2	3	4	5	6	7	8	9	10	11	12				
26"											1	2	3	4	5	6	7	8	9	10	11	12	

SMALL	2997126/2997399	
	2997127/ 2997398	not possible 15mm
Medium	2997124/2997396	
	2997125/ 2997397	not possible 15mm
LARGE	2993612/2993613	
	2993615/2993631	not possible 15mm

Not possibility

| For assembling use document S-PL.40.06

REMOVABLE SIDE GUARD CARBON TRIGO				---
				Plan No. E00030409/B.1
Scale: 1:1	Drafted	Verified	Confirmed	
Date	2022-05-17	19/08/2022	19/08/2022	
Initials	AS	PM	AZ	