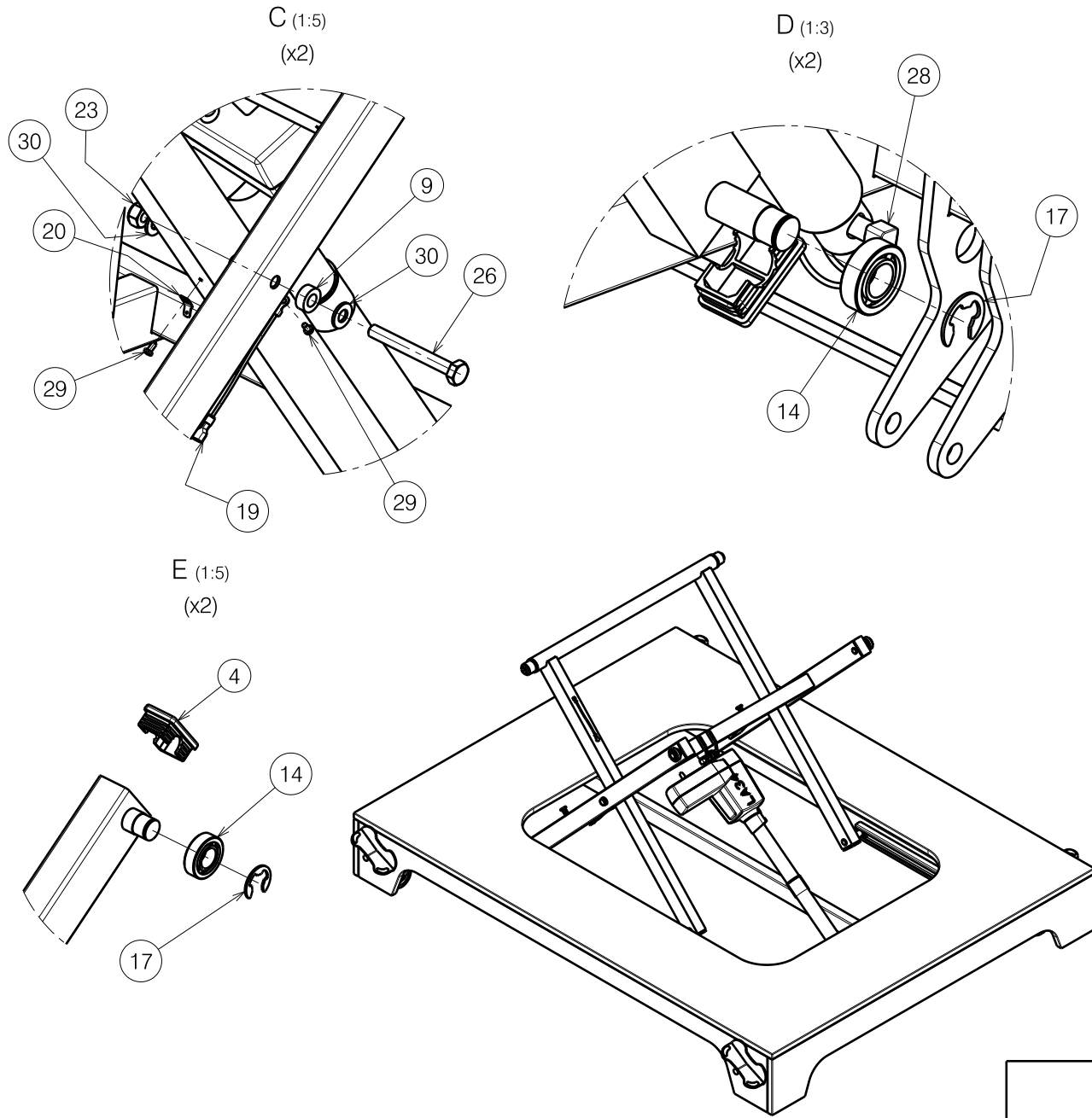


A (1:6)
(x4)

B (1:6)
x(2)

<p>LOWER FRAME / INTERVAL XXL WITH CENTRAL BRAKE</p>				Plan No.
				1/2 EP00420 / A
Scale: 1:10	Drafted	Verified	Confirmed	
Date	01/08/2019	01/08/2019	01/08/2019	
Initials	AZ	TK	TK	

EP00420 / A



Material			
No.	Plan	Article	Quantity
1	Y014140	1698513	1
2	Y014143	1698613	1
3	Y020417	1799113	4
4	Y004215	F002725	4
5	YP00007	1800100	2
6	YP07180	2774513	1
7	YP07187	2774600	2
8	X002027	1991824	2
9	X002029	1991841	4
10	X004264	1902985	4
11	X004265	1902986	4
12	X005048	1912595	4
13	XP02461	2994440	1
14	---	1001409	4
15	D6,4 DIN125	1001564	8
16	M6 DIN 934	1001670	4
17	D15 DIN 6799	1003049	4
18	Motor	1903428	1
19	---	2990620	2
20	---	2990651	1
21	M6x20	1006999	4
22	CAP D16	1001598	4
23	M10 DIN985	1001683	4
24	Wheel D75	1905247	4
25	M6x10	1900641	8
26	M10x85 DIN931	1992132	4
27	M10x1	1009583	2
28	Pin D10x50	1998885	2
29	D3,9x9,5 DIN7981	1001530	3
30	D10,5 DIN125	1001557	8

LOWER FRAME / INTERVAL XXL WITH
CENTRAL BRAKE

Plan No.

2/2 EP00420 / A

Scale: ---	Drafted	Verified	Confirmed
Date	01/08/2019	01/08/2019	01/08/2019
Initials	AZ	TK	TK



EP00420 / A