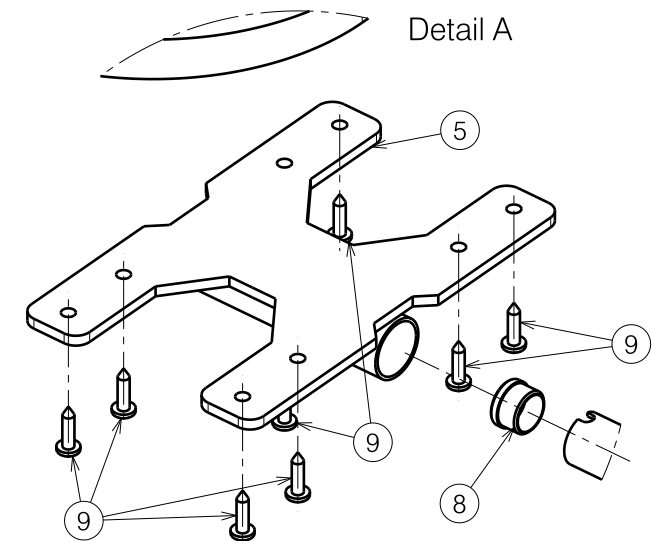


| Material / Materiaal | | | |
|----------------------|---------|-------------------|-----------------|
| No. / Nr. | Plan | Article / Artikel | Number / Aantal |
| 1 | XP00141 | 2990098 | 1 |
| 1 | XP02645 | 2994428 | 1 |
| 2 | XP00116 | 2990074 | 1 |
| 3 | XP00170 | 2990112 | 1 |
| 4 | YP00550 | 1817400 | 1 |
| 5 | YP00556 | 1817700 | 1 |
| 6 | Y012130 | 16772.. | 1 |
| 7 | --- | 1001580 | 1 |
| 8 | --- | 1001602 | 1 |
| 9 | --- | 1003021 | 10 |
| 10 | --- | 1993362 | 1 |
| 11 | --- | 1001637 | 1 |
| 12 | X001471 | 1001143 | 1 |



1902433

| | | | |
|--|--------------------|---------------------|---------------------------------|
| TABLE ALTITUDE 2008 TAFEL ALTITUDE 2008 | | | Plan No. / Plannr. E000444/D |
| Scale / Schaal: 1:5 | Drafted / Getekend | Verified / Nagezien | Confirmed / Bevestigd |
| Date / Datum | 04/03/2008 | 06/07/2020 | 06/07/2020 |
| Init. / Init. | SD | TT | PJ |

