


Material			
No.	Plan	Article	Quantity
1A	---	1917101 (L)	1
	---	1917102 (R)	1
1B	---	1917100	1
2	---	1917099	1
3*	---	1917103	1
4	XP03359	GP27700	2
5	YP09296	2644404	2
6	M6x25 DIN7380	1006998	2
7	Washer M6	1001564	2
8**	Montage set	---	1

*- Optional

** - Check 2nd sheet for details


Combination	Uses
B66M	1B+2
B66ML (long)	1B+2+3
B66MA (anatomical)	1A(L/R)+2
B66MBAL (anatomical long)	1A(L/R)+2+3

EP00626 / C

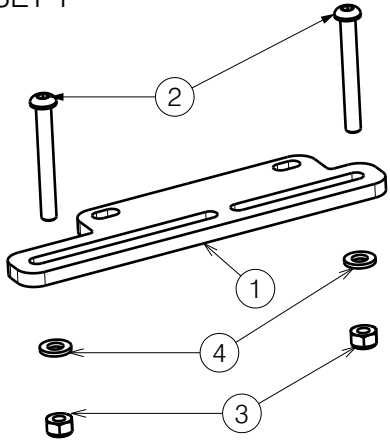
<h1>B66 Modular</h1>				Plan No.
				EP00626 / C
Scale: 1:3	Drafted	Verified	Confirmed	Sheet 1/4 
Date	16/11/2021	20/04/2022	20/04/2022	
Initials	PM	AZ	AZ	

Montage Set	Products	Set Article Number
1	B02 V-Series B03 V-Series	2997154
2	B04 V-Series B05 V-Series	2997155
3	B04 V-Series 2016 Bi5 Turios Bi5 Lotus Bi5 V-Series Bi5 Trigo Inovys II	2997156
4	B03 Eclips/ Jazz	2997157
5	Timix/ Forest 3/ Sigma	2997158
6	Navix	2997159
7	Ascend	2997160
8	B02 708D B03 708D B02 Eclips/ Jazz	2997161

EP00626 / C

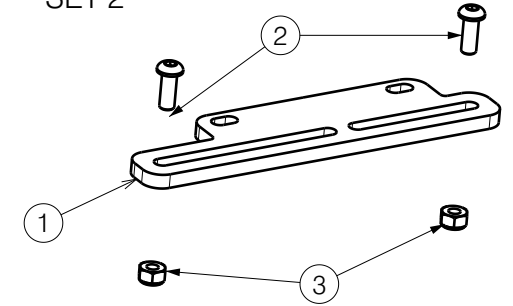
<h2>B66 Modular</h2>				Plan No.
				EP00626/ C
Scale: 1:3	Drafted	Verified	Confirmed	Sheet 2/4 
Date	16/11/2021	20/04/2022	20/04/2022	
Initials	PM	AZ	AZ	

SET 1



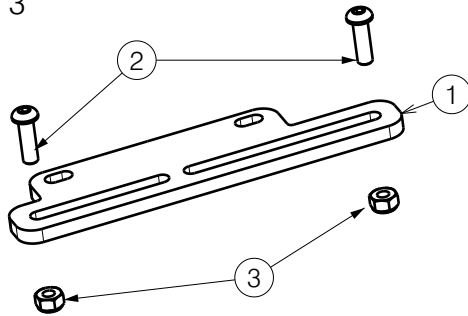
Montage Set 1 - 2997154			
No.	Plan	Article	Quantity
1	YP09351	2644604	1
2	M6x50 ISO7380	1006997	2
3	M6 DIN1587	1001680	2
4	M6 DIN125	1001564	2

SET 2



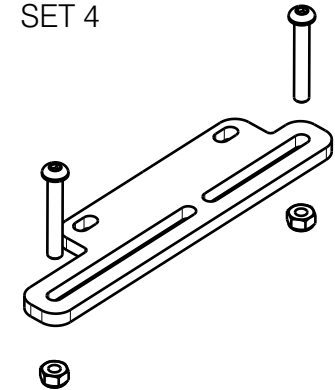
Montage Set 2 - 2997155			
No.	Plan	Article	Quantity
1	YP09351	2644604	1
2	M6x16 ISO7380	1008459	2
3	M6 DIN985	1001680	2

SET 3



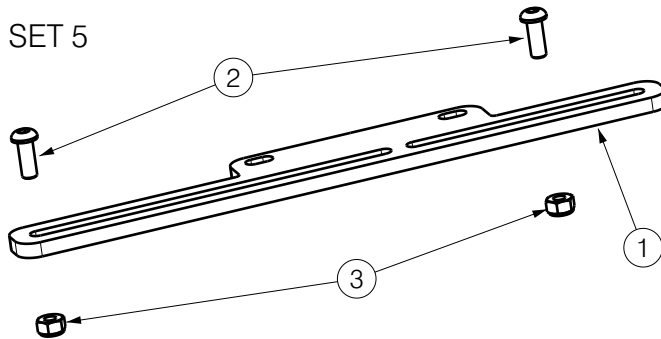
Montage Set 3 - 2997156			
No.	Plan	Article	Quantity
1	YP09351	2644604	1
2	M6x20 ISO7380	1006999	2
3	M6 DIN985	1001680	2

SET 4




Montage Set 4 - 2997157			
No.	Plan	Article	Quantity
1	YP09351	2644604	1
2	M6x40 ISO7380	1006111	2
3	M6 DIN1587	1001680	2

SET 5



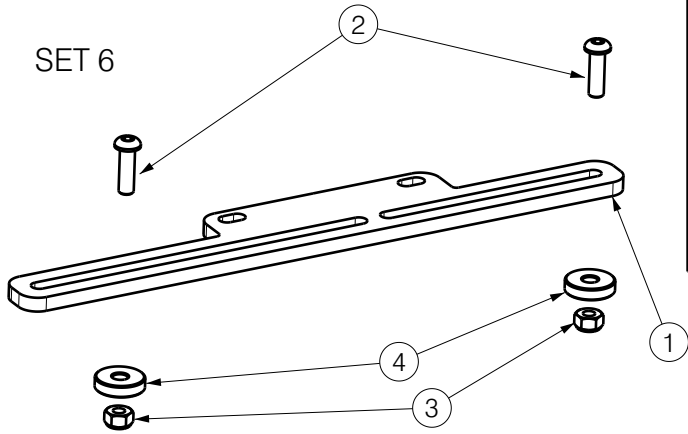
Montage Set 5 - 2997158			
No.	Plan	Article	Quantity
1	YP09289	2644304	1
2	M6x16 ISO7380	1008459	2
3	M6 DIN985	1001680	2

EP00626 / C

<h1>B66 Modular</h1>				Plan No.
				EP00626/ C
Scale:	Drafted	Verified	Confirmed	
Date	16/11/2021	20/04/2022	20/04/2022	
Initials	PM	AZ	AZ	

Sheet 3/4

SET 6

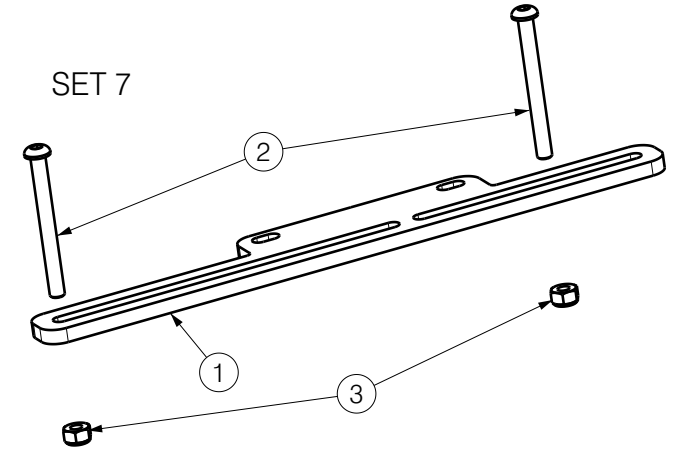


Montage Set 6 - 2997159			
No.	Plan	Article	Quantity
1	YP09289	2644304	1
2	M6x20 ISO7380	1006999	2
3	M6 DIN985	1001680	2
4	XP00227	2990147	2

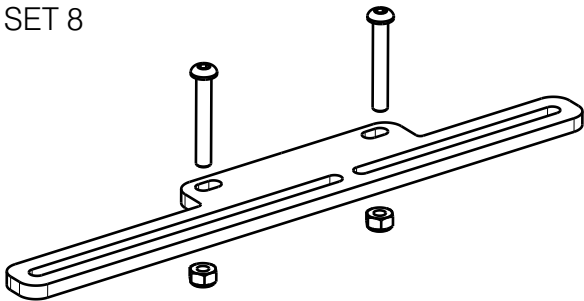
Montage Set 7 - 2997160

No.	Plan	Article	Quantity
1	YP09289	2644304	1
2	M6x60 ISO7380	1992915	2
3	M6 DIN985	1001680	2

SET 7




SET 8



Montage Set 8 - 2997161

No.	Plan	Article	Quantity
1	YP09289	2644304	1
2	M6x40 ISO7380	1006111	2
3	M6 DIN985	1001680	2

EP00626 / C

<h1>B66 Modular</h1>				Plan No.
				EP00626 / C
Scale:	Drafted	Verified	Confirmed	Sheet 4/4 
Date	16/11/2021	20/04/2022	20/04/2022	
Initials	PM	AZ	AZ	