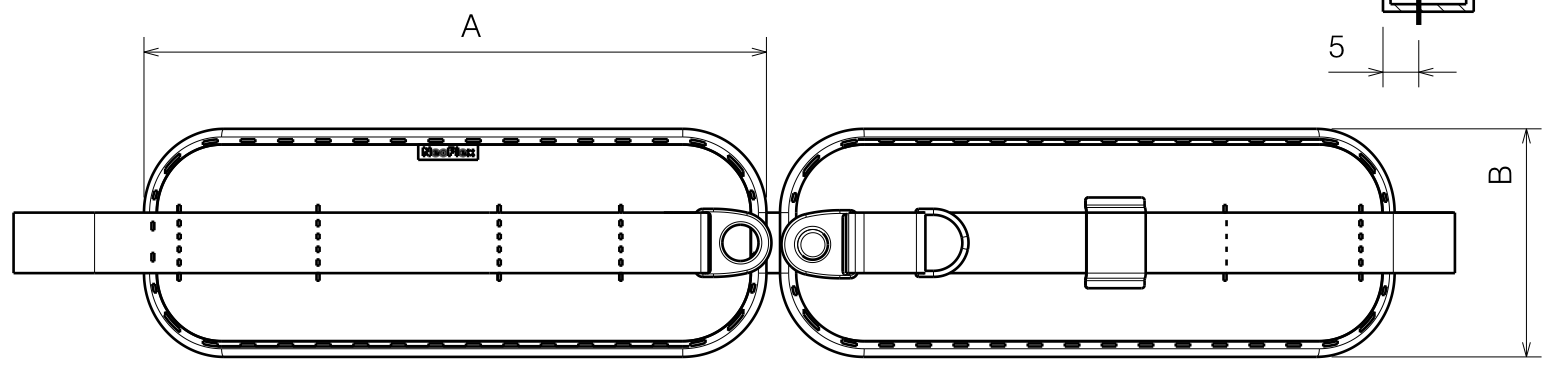
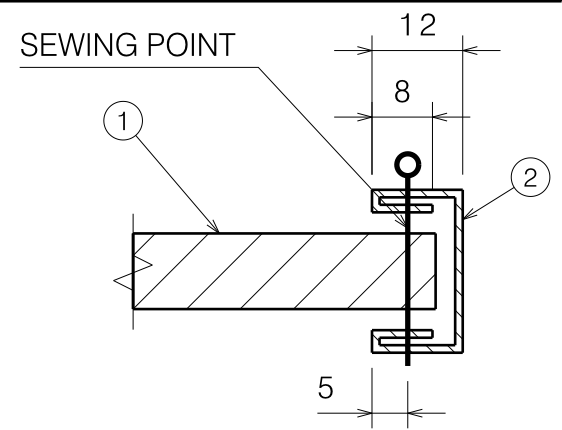


Material			
No.	Article	S	L
1	2994147	0,1	0,15
2	2991886	1,5	2,5
3	2994164	2	3
4	2991328	1	1
5	2991330	1	1

Sizes [cm]				
	A	B	PATIENT	Article
S	40	15	40-180	2994160
L	60	15	60-200	2994161



VERMEIREN NV
 Vermeirenplein 1-15
 2920 Kalmthout
 www.vermeiren.com

Made in Poland
NeoFleX
U180Neo.
size L

contains:
 76% Polyethylene
 15% Polyester
 7% Polyethersulfone
 2% Elastane



EP00316 / A

NEO U180 ABDOMINAL BELT				Plan No.
				EP00316/ A
Scale: 1:5	Drafted	Verified	Confirmed	
Date	27/08/2018	27/08/2018	27/08/2018	
Initials	PM	FD	TK	