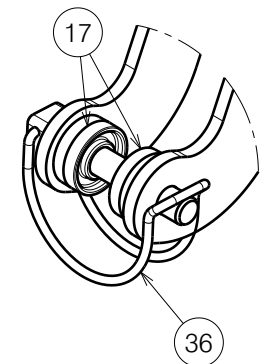

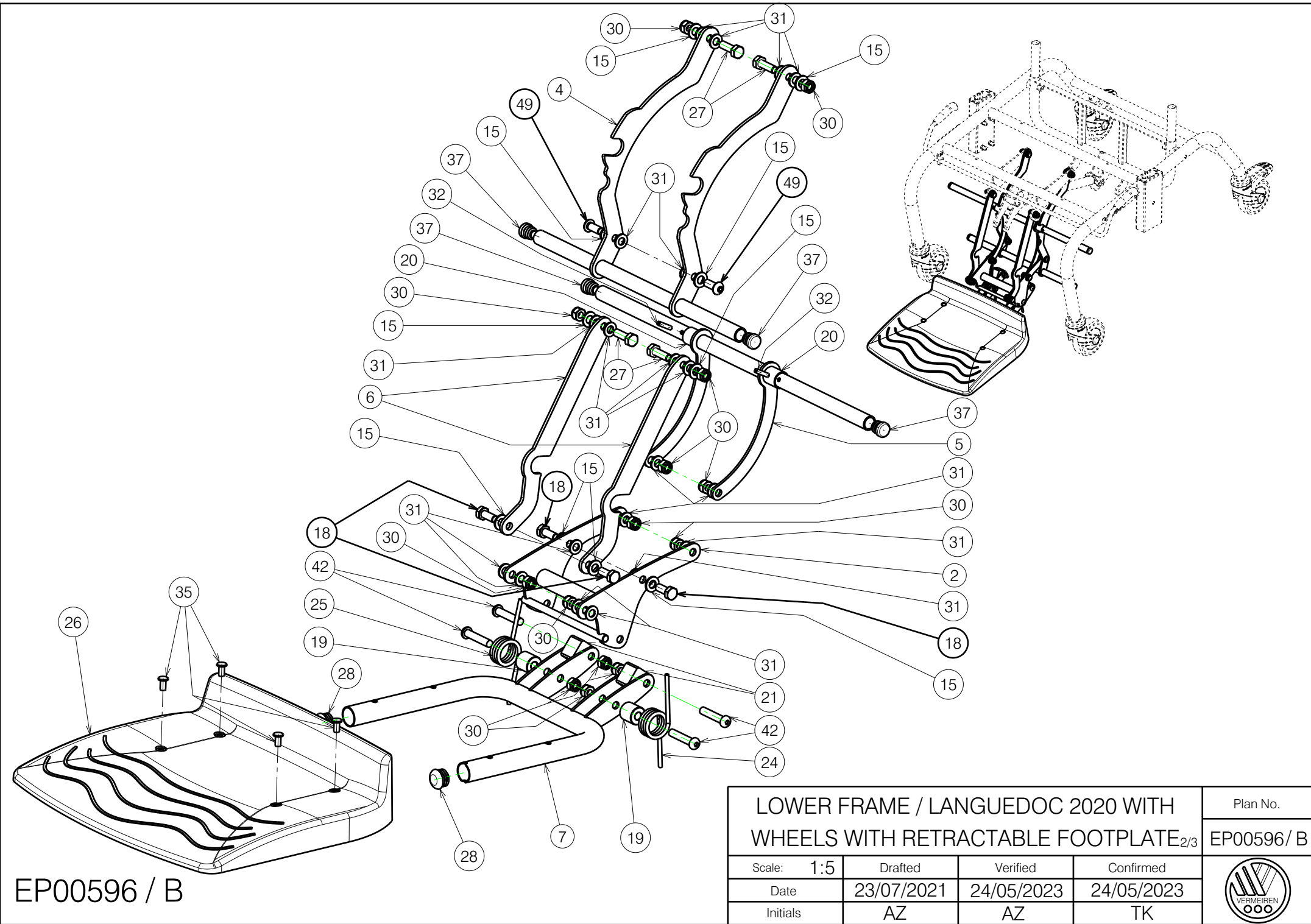


A (1:2)



EP00596 / B

LOWER FRAME / LANGUEDOC 2020 WITH WHEELS WITH RETRACTABLE FOOTPLATE _{1/3}				Plan No. EP00596 / B
Scale: 1:6	Drafted	Verified	Confirmed	
Date	23/07/2021	24/05/2023	24/05/2023	
Initials	AZ	AZ	TK	

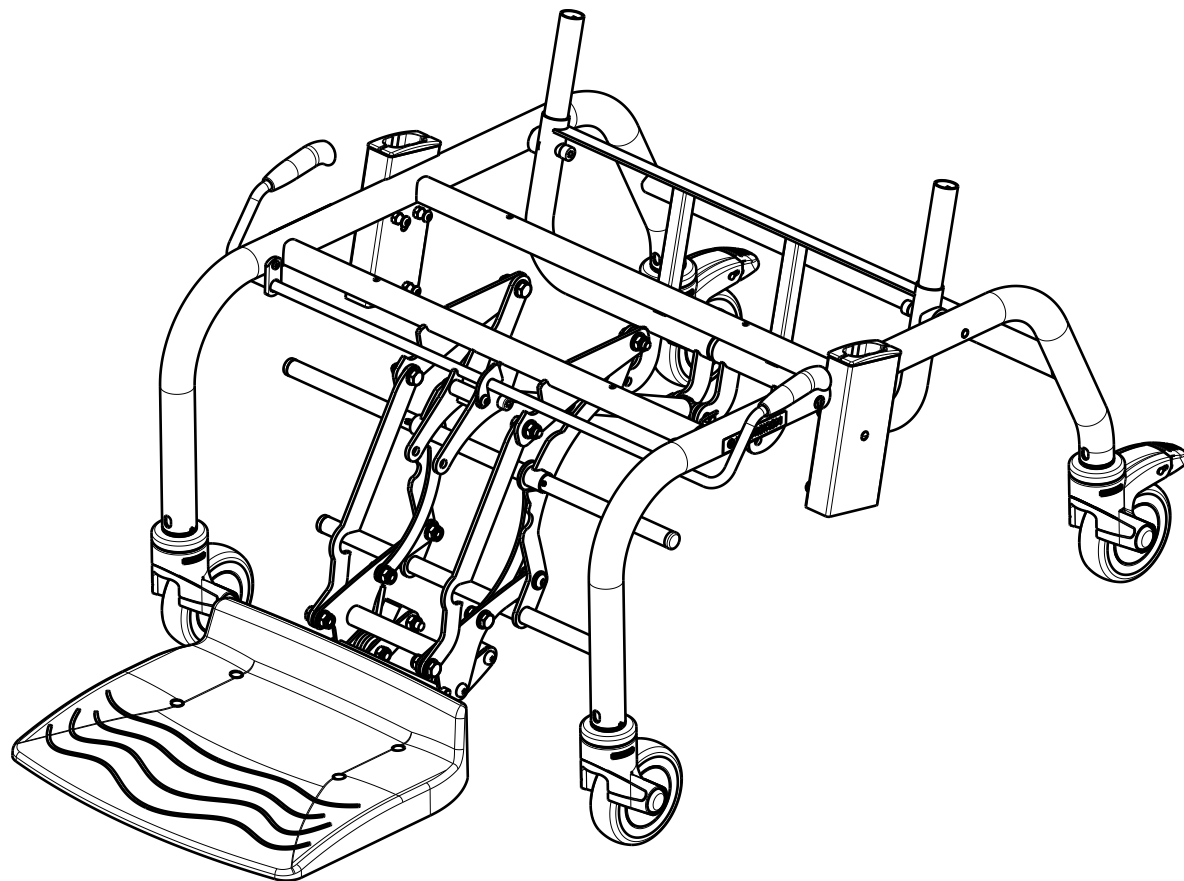


EP00596 / B

LOWER FRAME / LANGUEDOC 2020 WITH WHEELS WITH RETRACTABLE FOOTPLATE _{2/3}				Plan No. EP00596 / B
Scale: 1:5	Drafted	Verified	Confirmed	
Date	23/07/2021	24/05/2023	24/05/2023	
Initials	AZ	AZ	TK	

Material			
No.	Plan	Article	Quantity
1	Y000462	F000050	2
2	Y012124	1683465	1
3	Y012249	1667265	2
4	Y012657	1683265	1
5	Y012658	1683365	1
6	Y012851	1683565	2
7	Y013065	1678300	1
8	YP08803	2627965	1
9	YP08858DP	2629865	1
10	YP08901	2629600	1
11*	YP09172 (Method 1)	2637065	1
	YP09173 (Method 2)	2637165	1
12	X000106	G003218	2
13	X000273	G060600	2
14	X000319	G080200	1
15	X001119	1001554	10
16	X001296	G065155	1
17	X002480	1993793	2
18	X003827	1009400	4
19	X004034	1683600	2
20	X004038	1685700	2
21	X004198	1701100	2
22	X004485 (Black)	1903994	2
23	X005930 (Black)	1916350	4
24	XP00144	1894000	1
25	XP00567	1894100	1
26	XP03292	2996996	1
27	M8x25 DIN 933	1001442	4
28	Cap D22	1990648	2
29	M6 DIN934	1001670	8
30	M8 DIN985	1001682	14
31	D8,4 DIN125	1003199	20
32	DIN 1481 D4x20	1009584	2
33	Sticker Arrow	1903223	2
34	M10 DIN439B	1903216	1
35	RIVET D6	1992835	4
36	Pin D8x45	1993594	1
37	Cap D16	1001598	4
38	D100 (Black) No Brake	1917912	2
39	M6 DIN985	1001680	1
40	M6x12	1007000	8
41	M8x16 DIN912	1001498	2

Material			
No.	Plan	Article	Quantity
42	M8x40	1008739	4
43	Sticker Vermeiren	T001051	2
44	D100 (Black) Brake	1917913	2
45	M6x50	1006997	1
46	D4x20	1991373	2
47	M8x60 DIN912	1997781	2
48	Gas Spring 150N	1917602	1
49	M8x20 ISO7380	1992349	2



LOWER FRAME / LANGUEDOC 2020 WITH
WHEELS WITH RETRACTABLE FOOTPLATE_{3/3}

Plan No.

EP00596/ B

Scale: 1:7

Drafted

Verified

Confirmed

Date

23/07/2021

24/05/2023

24/05/2023

Initials

AZ

AZ

TK



EP00596 / B