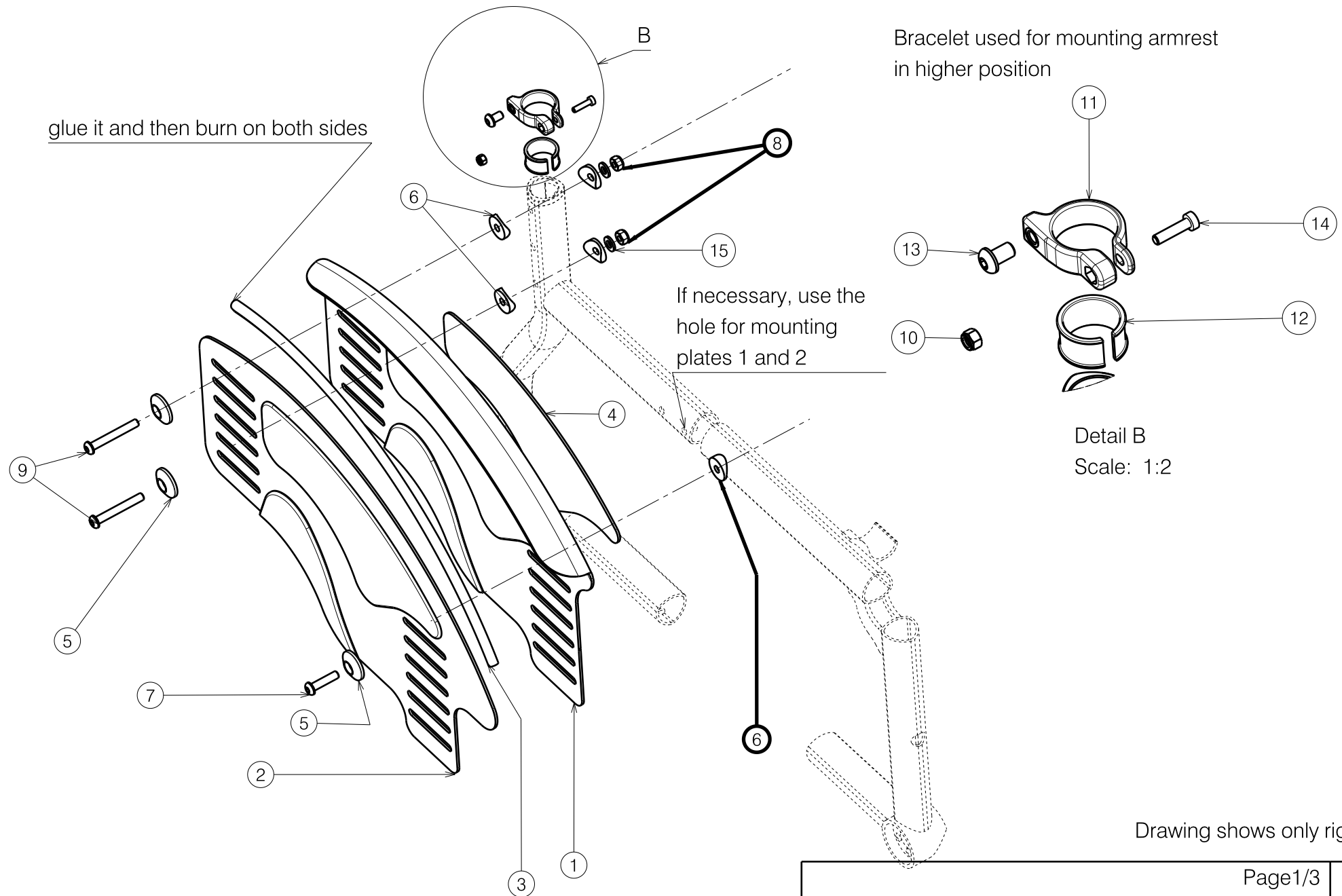


glue it and then burn on both sides




Bracelet used for mounting armrest
in higher position

Detail B
Scale: 1:2

Drawing shows only right side

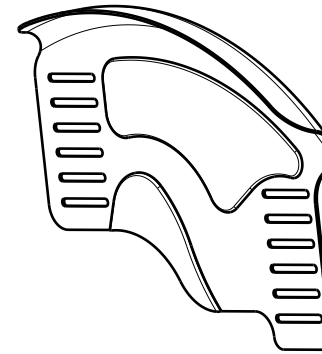
EP00570 / B

Page1/3				Plan No.
B82 CLOTHING PROTECTOR TRIGO				EP00570/B
Scale: 1:4	Drafted	Verified	Confirmed	
Date	09/02/2021	19/02/2021	19/02/2021	
Initials	AS	MK	TK	

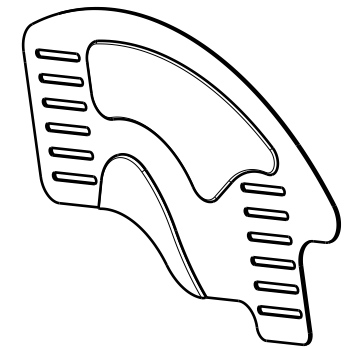
Material			
No.	Plan	Article	Quantity
**1a	YP05792 (R)	27250..	1
	YP05793 (L)	27251..	1
1b	YP07171 (R)	27596..	1
	YP07170 (L)	27597 ..	1
**1c	XP01987(R)carbon	2993900	1
	XP02052(L)carbon	2993682	1
**2a	YP05789 (R)	27247..	1
	YP05790 (L)	27859..	1
2b	YP06352(R)	27988..	1
	YP06353(L)	27989..	1
**2c	XP01943(R)carbon	2993617	1
	XP01940(L)carbon	2993614	1
3	---	1003299	0,9m
4	XP02278	2996471	1
5	XP00366	2990331	3
6	XP01560	2993561	5
7	M6x25	2994062	1
8	M6	2994063	2
9	M6x45	2994086	2
	M6x55	2994376	2
10	M4	1001678	1
11	XP02043	2993671	1
12	XP02042	2993672	1
13	M6x10	2994127	1
14	M4x16	2994070	1
15	M6	2994414	2

** Don't use for frame 30-36.

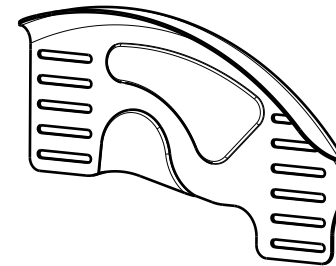
1a LARGE **



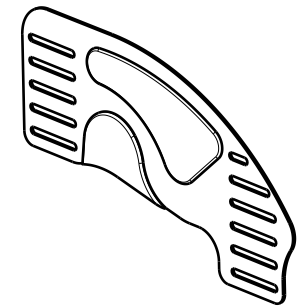
2a LARGE **



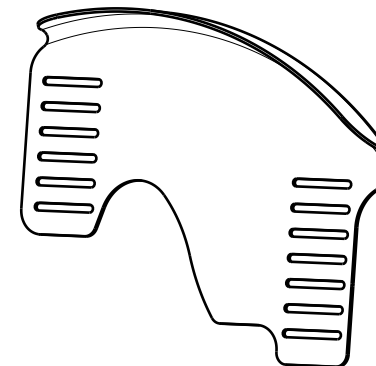
1b SMALL



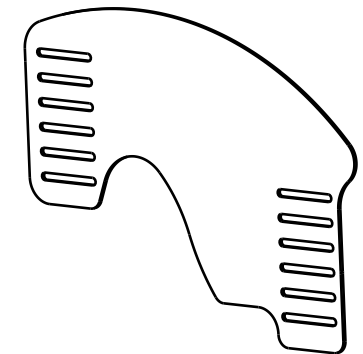
2b SMALL

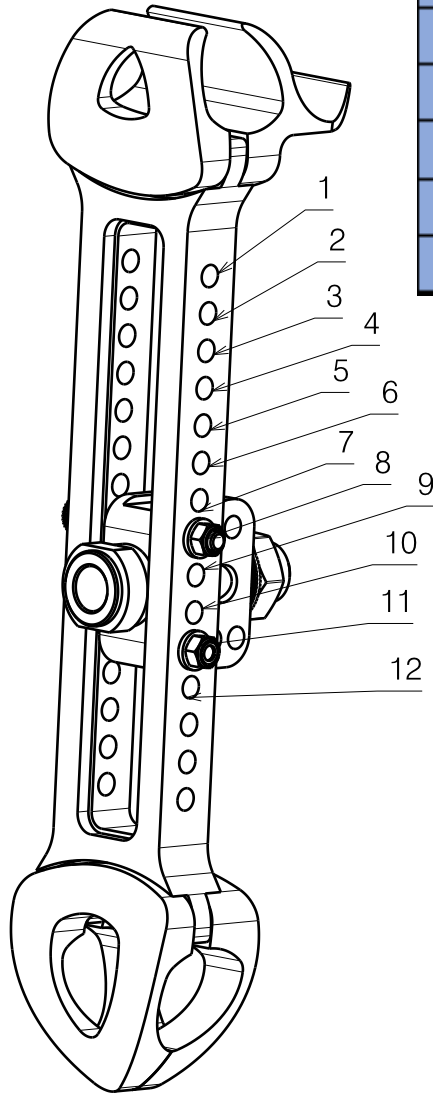


1c CARBON **



2c CARBON **






SEAT HEIGHT REAR																							
	315	325	335	345	355	365	375	385	395	405	415	425	435	445	455	465	475	485	495	505	515	525	
18"			2	3	4	5	6	7	8	9	10	11	12										
20"			1	2	3	4	5	6	7	8	9	10	11	12									
22"					1	2	3	4	5	6	7	8	9	10	11	12							
24"								1	2	3	4	5	6	7	8	9	10	11	12				
26"											1*	2*	3*	4	5	6	7	8	9	10	11	12	

* use 2 Bracelet XP02043

SMALL	27988../27989..	no possible 15mm
LARGE	27247../27859..	no possible 15mm
SMALL MUDGUARD	27596../27597..	no possible 15mm
LARGE MUDGUARD	27250../27250..	no possible 15mm

EP00570 / B

Page 3/3				Plan No.
B82 CLOTHING PROTECTOR TRIGO				EP00570/ B
Scale: 1:4	Drafted	Verified	Confirmed	
Date	09/02/2021	19/02/2021	19/02/2021	
Initials	AS	MK	TK	