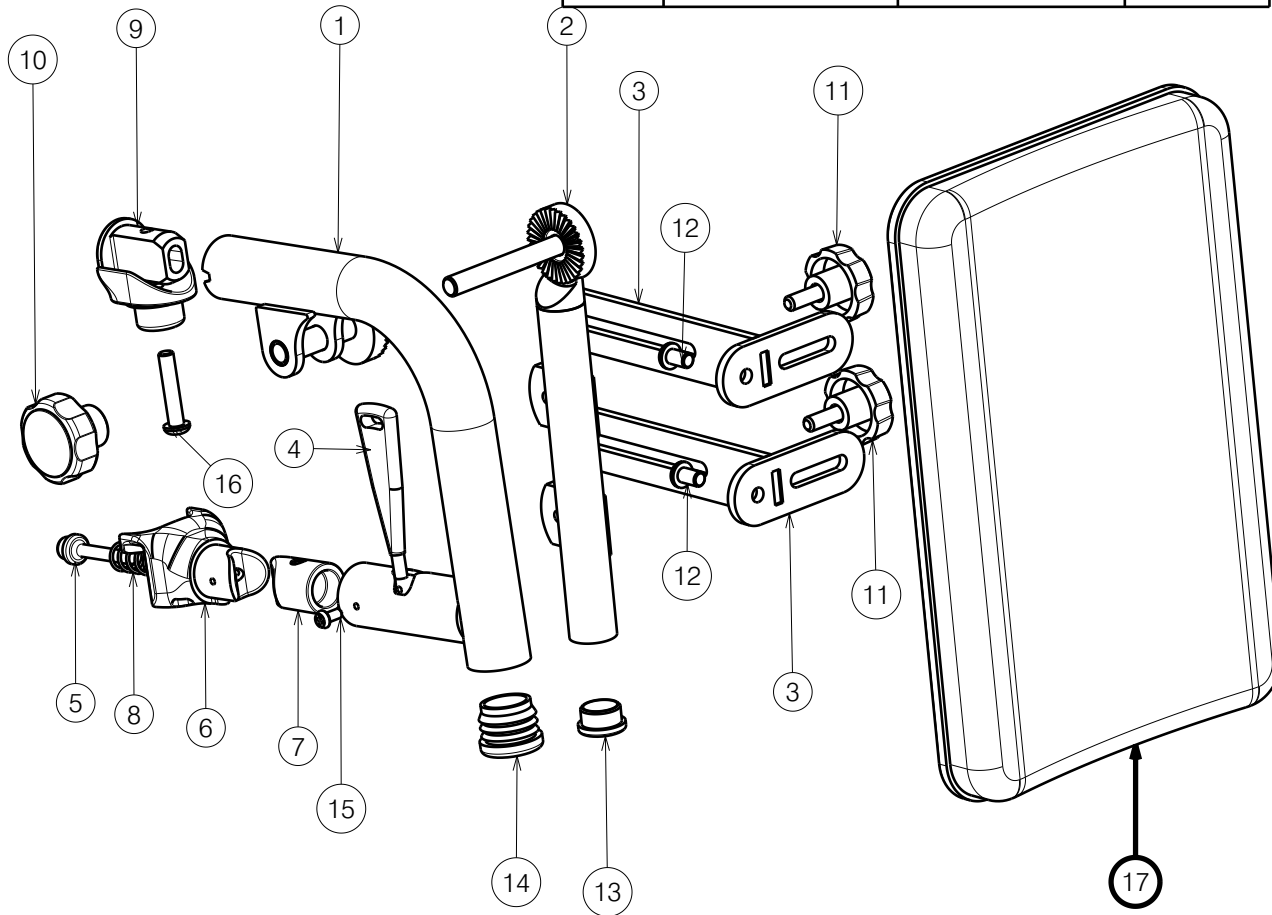



Material (Frame 30-36)			
No.	Plan	Article	Quantity
1	YP09133	2635754 (R)	1
	YP09137	2635754(L)	1
2	YP09139	2636345 (L)	1
	YP09149	2635954 (R)	1
4	XP02030	GP14499	1
17	X003779	1900228	1

Material (Frame 36-50)			
No.	Plan	Article	Quantity
1	YP08525	2624454 (R)	1
	YP08526	2624554 (L)	1
2	YP08093	2607354 (L)	1
	YP08094	2607454 (R)	1
3	YP08095	2607554	4
4	XP01513	GP08699	2
5	XP01523	GP08000	2
6	XP01546	2993452	2
7	XP01565	2993472	2
8	XP01628	GP09100	2
9	XP03098	2996719	2
10	Plastic Head Ø35	1998550	2
11	M6x15	1001577	4
12	M6x10	1900641	4
13	Tube cap Ø19	1001602	2
14	Tube cap Ø25,4	1001608	2
15	SCREWD3.5X9.5	2994075	4
16	M6x30	1009588	2
17	Plate small (36-42)	1002163	2
	Plate large (44-50)	1002158	2



Right side only depicted, quantities are for 1 pair

EP00545 / C

<h1>TRIGO BK7/BL7</h1>				Plan No.
				EP00545/ C
Scale: 1:3	Drafted	Verified	Confirmed	
Date	30/10/2020	05/11/2021	05/11/2021	
Initials	AS	PM	TK	