

Material / Method 1			
No.	Plan	Article	Quantity
1	YP00915	1836965	1
2	YP08863	2629765	1
3	X000989	1004539	4
4	XP01828	2993544	1
5	Cap D22 (Black)	1990648	2
6	M6x40	1006111	4
7*	Fabric	...	1,3 [m]
8**	---	1990296	0,6 [m]
9**	---	1995604	0,8 [m]
10**	---	1995605	1

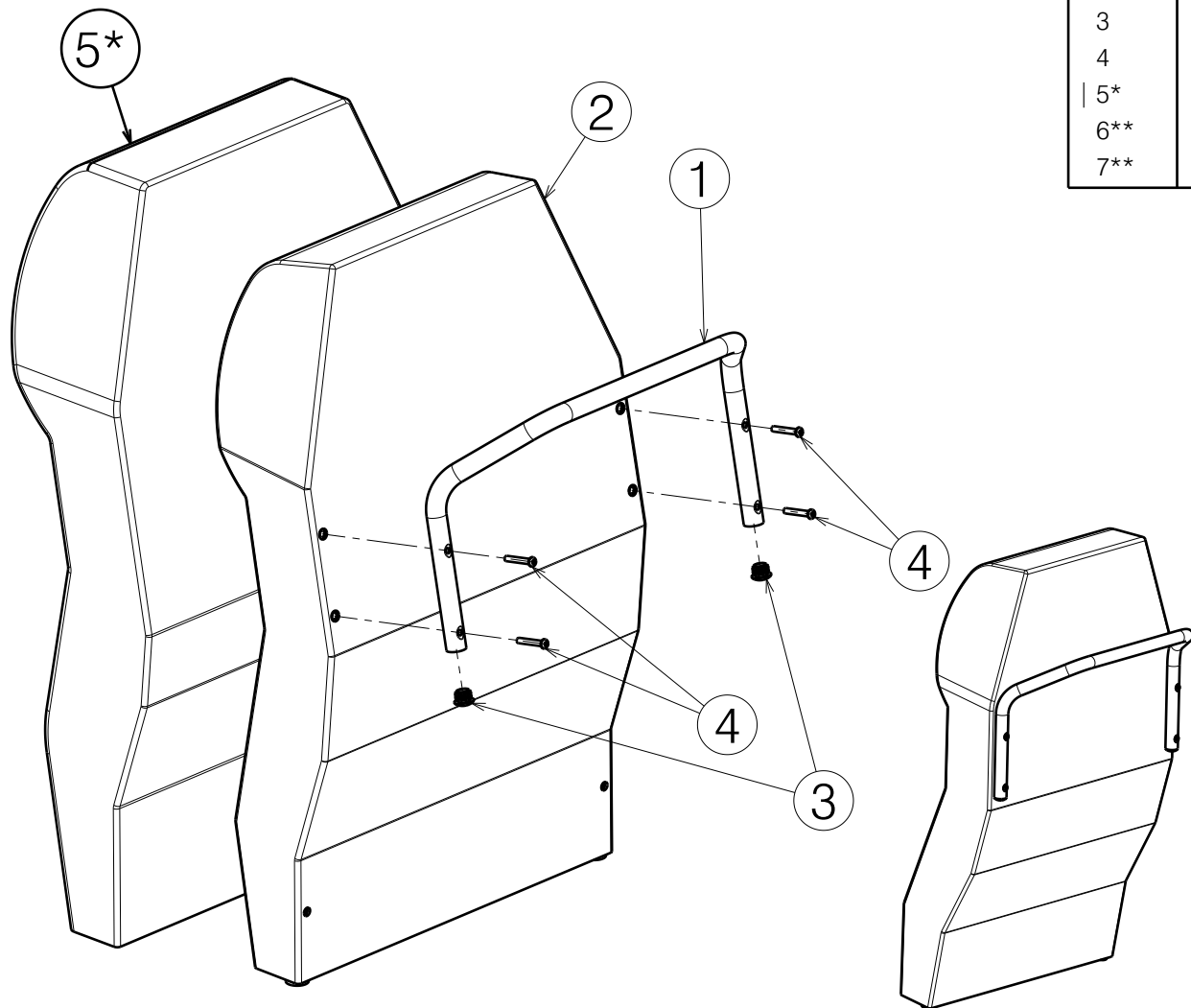
Fabric 7*		
No.	Colour	Article
1	Blue	1998128
2	Lavender	1997840
3	Brown	1908048
4	Black	1907414
5	Bright grey	1918077

* - to be chosen by customer
 ** - not depicted

Templates for backrest upholstery 7*		
No.	Description	Article
1	Set	2997093
2	Front part	2997094
3	Back part	2997095
4	Left part	2997096
5	Right part	2997097
6	Lower part 1	2997098
7	Lower part 2	2997099

EP00532 / E

BACKREST / NORMANDIE 2020 / LANGUEDOC 2020 (CHAIR WITH WHEELS) _{1/2}				Plan No. EP00532 / E
Scale: 1:8	Drafted	Verified	Confirmed	
Date	10/07/2020	24/10/2022	24/10/2022	
Initials	AZ	PM	AZ	



Material / Method 2			
No.	Plan	Article	Quantity
1	YP00915	1836965	1
2	XP03185	2996809	1
3	Cap D22 (Black)	1990648	2
4	M6x40	1006111	4
5*	Fabric	...	1,3 [m]
6**	---	1995604	0,8 [m]
7**	---	1995605	1

Fabric 5*		
No.	Colour	Article
1	Blue	1998128
2	Lavender	1997840
3	Brown	1908048
4	Black	1907414
5	Bright grey	1918077

* - to be chosen by customer

** - not depicted

Templates for backrest upholstery 5*		
No.	Description	Article
1	Set	2997093
2	Front part	2997094
3	Back part	2997095
4	Left part	2997096
5	Right part	2997097
6	Lower part 1	2997098
7	Lower part 2	2997099

BACKREST / NORMANDIE 2020 / LANGUEDOC 2020 (CHAIR WITH WHEELS) _{2/2}				Plan No. EP00532 / E
Scale: 1:8	Drafted	Verified	Confirmed	
Date	10/07/2020	24/10/2022	24/10/2022	
Initials	AZ	PM	AZ	

EP00532 / E