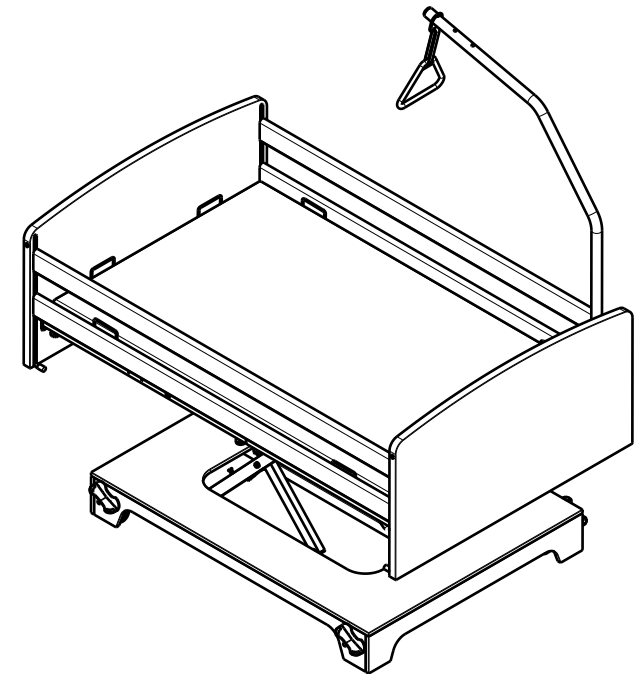


Material			
No.	Plan	Description	Quantity
1	E000518	UPPER FRAME	1
2	E000527	SELF RAISING AID	1
3	EP00417	FRONT/REAR PANEL	2
4	EP00418	WOODEN SIDERAILS	2
5	EP00419	MATTRESS	1
6	EP00420	LOWER FRAME	1

COLOUR OF ALL METAL PARTS: RAL 9007



EP00421 / A

INTERVAL XXL WITH CENTRAL BRAKE				Plan No.
				EP00421 / A
Scale: 1:20	Drafted	Verified	Confirmed	
Date	31/07/2019	31/07/2019	31/07/2019	
Initials	AZ	TK	TK	