
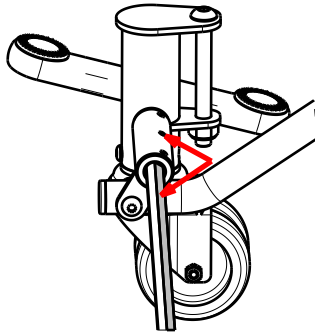


EP00357 / D

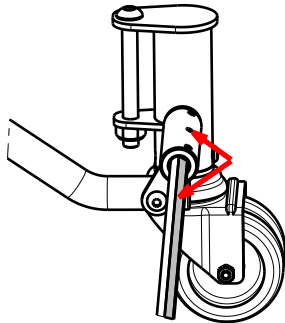
CENTRAL BRAKE FOR BOTH SIDES / ILLICO				Plan No.
				EP00357 / D
Scale: 1:8	Drafted	Verified	Confirmed	
Date	06/11/2018	10/09/2020	10/09/2020	
Initials	DR	DB	TK	

Way of assembly 27339 on footside rod /
Sposob montazu 27339 na precie po stronie podnozka:



Tighten the bolts on marked surface /
Dokrecic sruby na zaznaczonej powierzchni

Way of assembly 27339 on headside rod /
Sposob montazu 27339 na precie po stronie zaglowka:



Tighten the bolts on marked surface /
Dokrecic sruby na zaznaczonej powierzchni

Material			
No.	Plan	Article	Quantity
1	XP02300	2996460	2
2	YP06673	2733700	1
3	YP06674	2733800	1
4	YP06937	2733482	2
5	YP06938	2733582	1
6	YP06939	2733682	1
7	YP06940	2733982	2
8	YP06942	2733382	1
9	Nut M8 DIN985	1001682	2
10	Nut M10 DIN 985	1001683	4
11	Washer M8 DIN125	1003199	2
12	Wheel D75	1905247	4
13	M6x6	1906051	12
14	Plug Red	1911604	2
15	Plug Green	1912499	2
16	X005824	1914581 (L)	1
17	X005825	1914582 (R)	1
18	M8x40	1008739	2
19	Washer D13 Plastic	1993362	2
20	M6x6 DIN916	1998138	6
21	M10x90	1998812	4
22	XP02423	2996532	2

EP00357 / D

CENTRAL BRAKE FOR BOTH SIDES / ILLICO 2/2				Plan No.
				EP00357 / D
Scale: 1:8	Drafted	Verified	Confirmed	
Date	06/11/2018	10/09/2020	10/09/2020	
Initials	DR	DB	TK	