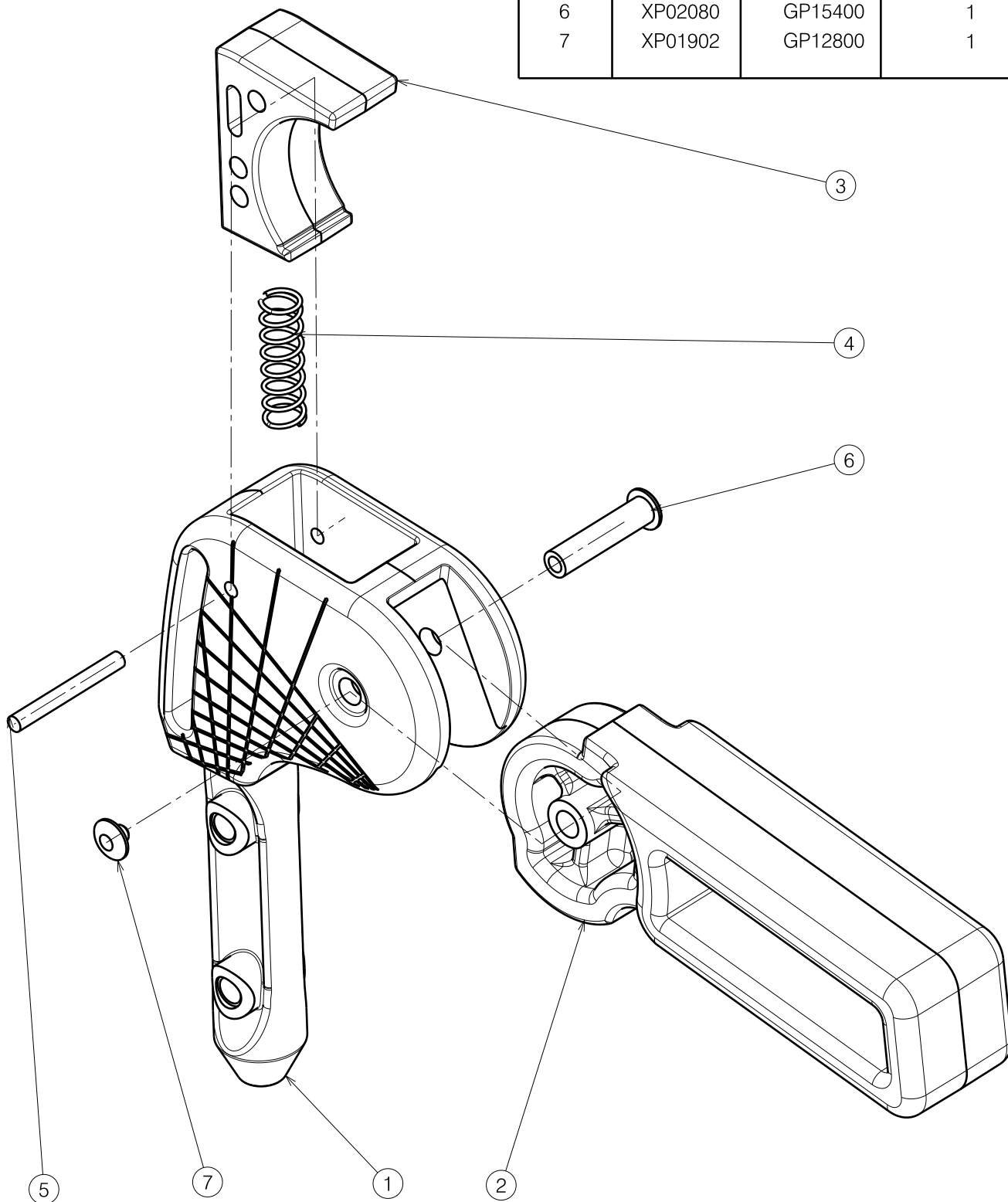


Material			
No.	Plan	Article	Quantity
1	XP01813	2993531	1
2	XP01814	2993532	1
3	XP01815	2993533	1
4	XP01899	GP12700	1
5	XP01900	GP00195	1
6	XP02080	GP15400	1
7	XP01902	GP12800	1



EP00246 / A

<h3>FOLDABLE PUSH HANDLE</h3>				Plan No.
				EP00246/ A
Scale: 1:1	Drafted	Verified	Confirmed	
Date	11/10/2017	09/10/2018	09/10/2018	
Initials	FD	AS	TK	