



VERMEIREN

NV

Vermeirenplein 1-15

2920 Kalmthout

www.vermeiren.com

Made in Poland

NeoFlex

U96Neo.

contains:

90% Neopren

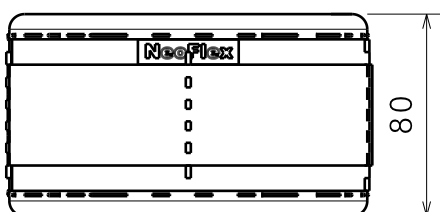
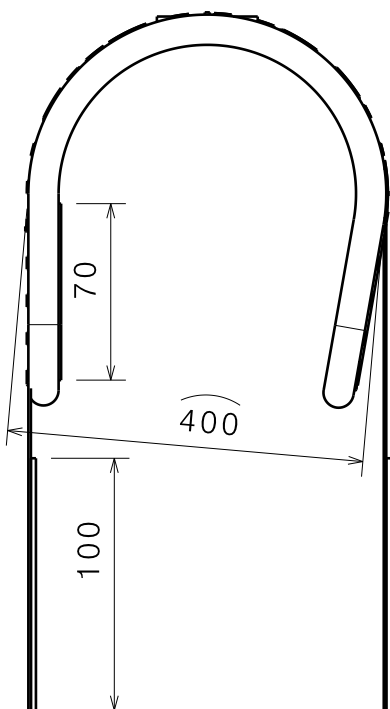
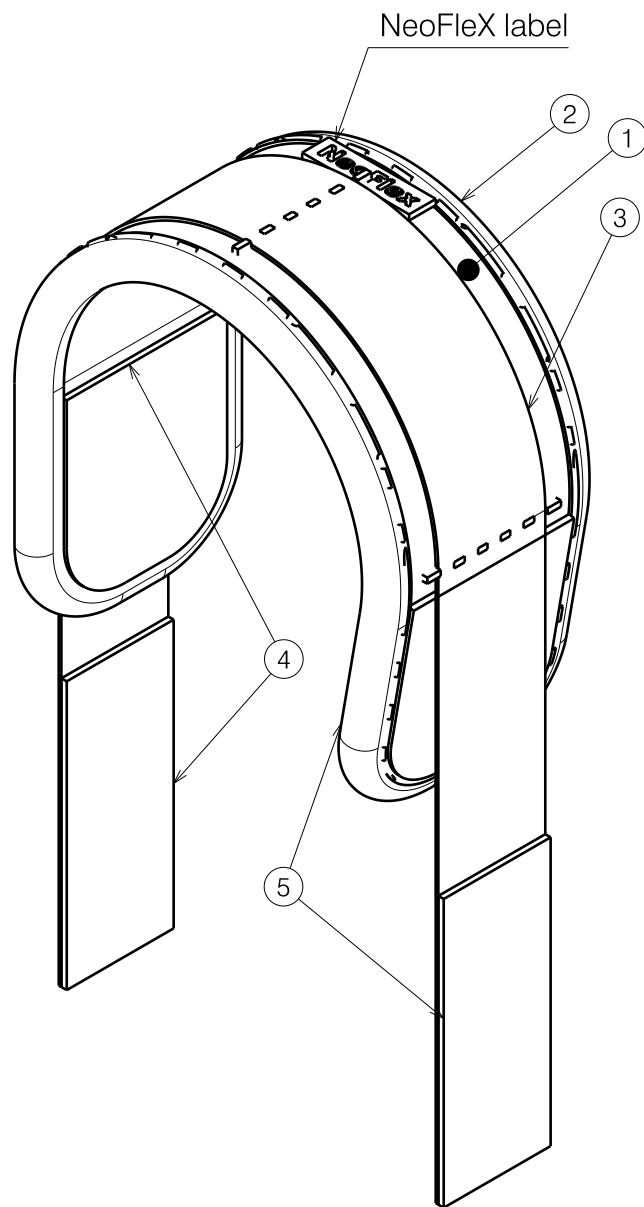
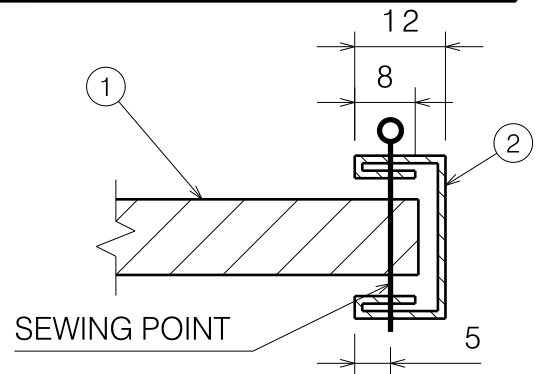
8% Poliester

2% Elastan

SGS INSTITUT
FRESENIUS



Material		
No.	Article	Quantity
1	2992343	0,04
2	2991886	0,5
3	2994165	0,4
4	1905877	0,2
5	1905876	0,2



EP00315 / A

NEO U96 WRIST STABILISATOR				Plan No.
				EP00315/ A
Scale: N/A	Drafted	Verified	Confirmed	
Date	31/07/2018	31/07/2018	31/07/2018	
Initials	FD	AS	TK	