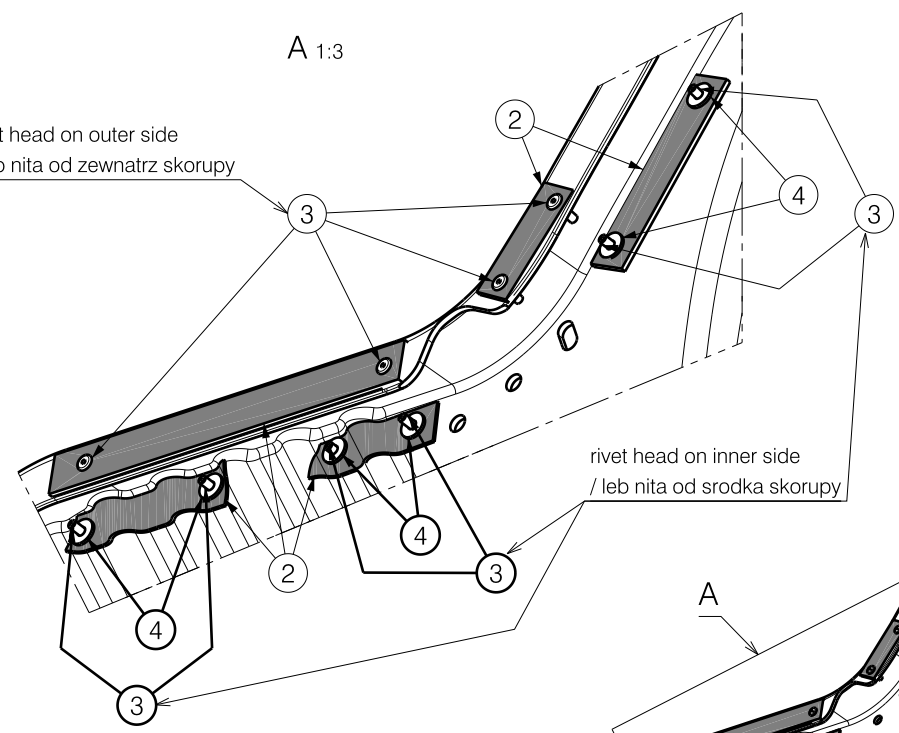


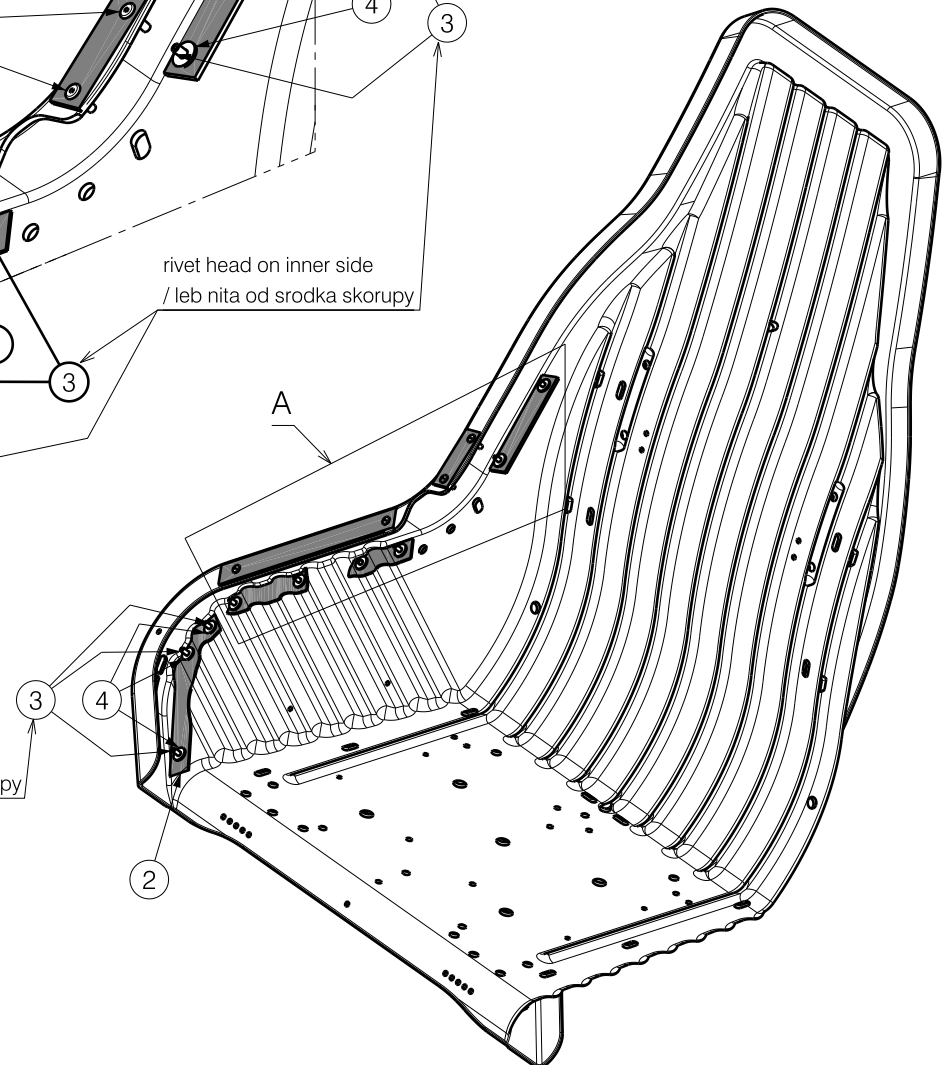
rivet head on outer side
/ leb nita od zewnatrz skorupy

A 1:3




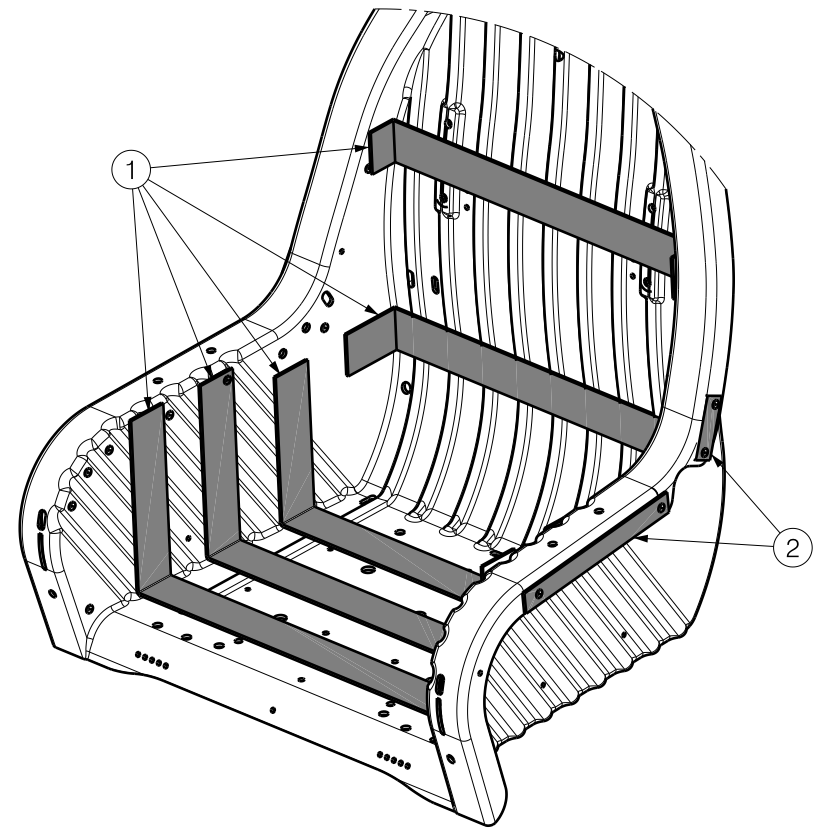
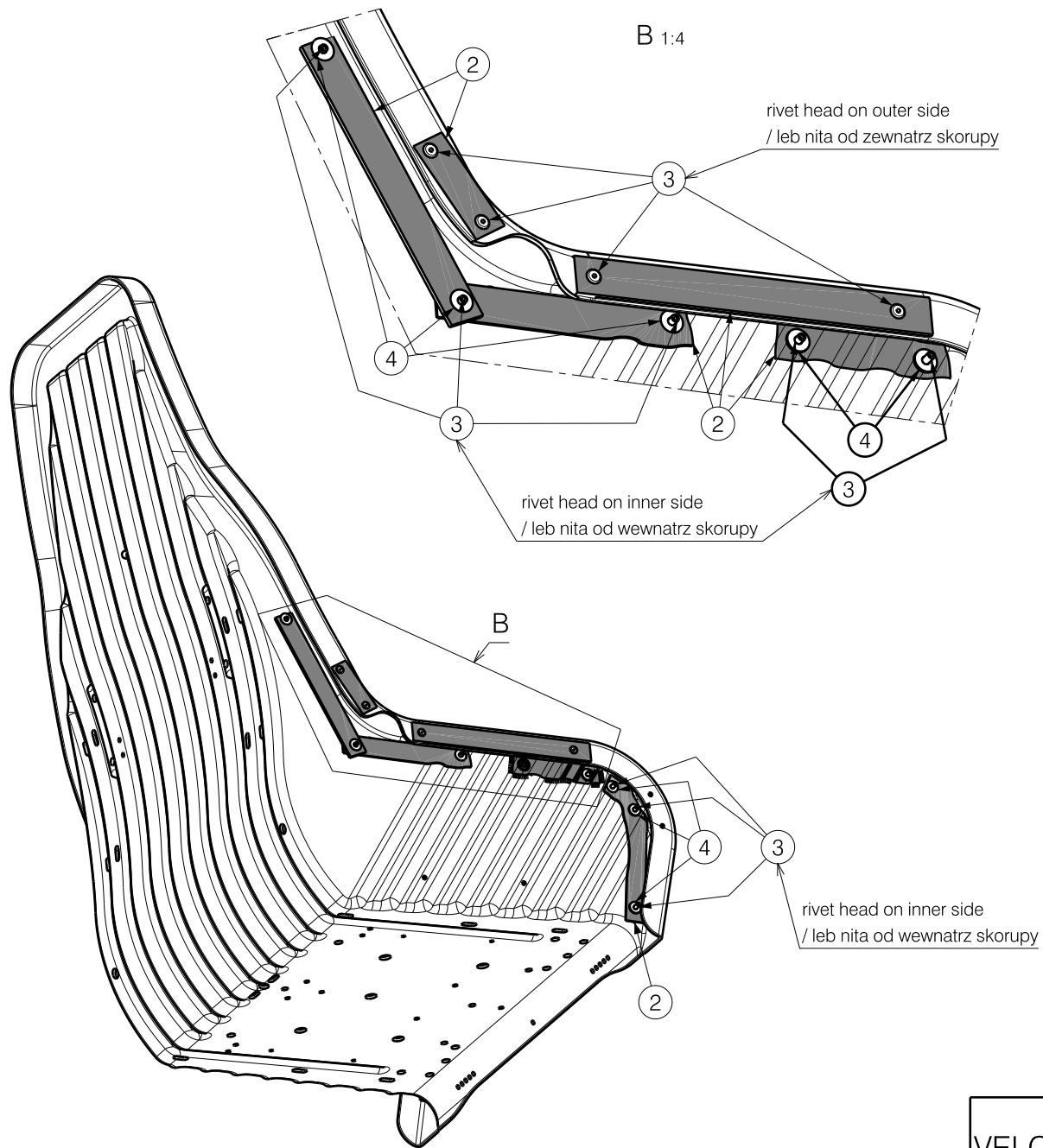
rivet head on inner side
/ leb nita od srodka skorupy

rivet head on inner side
/ leb nita od srodka skorupy



EP00369 / B

VELCRO ASSEMBLY ALTITUDE 2 & CORAILLE 2 1/2				Plan No. EP00369 / B
Scale: 1:8	Drafted	Verified	Confirmed	
Date	04/01/2019	14/01/2019	14/01/2019	
Initials	DR	PM	TK	



Material			
No.	Plan	Article	Quantity
1	Velcro 50mm	3992112	3,8 m
2	Velcro 25mm	3991102	2 m
3	Rivet 4x18	2991323	25
4	M5 Washer	1005138	17

VELCRO ASSEMBLY ALTITUDE 2 & CORAILLE 2

1/2 EP00369 / B

Scale: 1:8	Drafted	Verified	Confirmed
Date	04/01/2019	14/01/2019	14/01/2019
Initials	DR	PM	TK

Plan No.
EP00369 / B

EP00369 / B