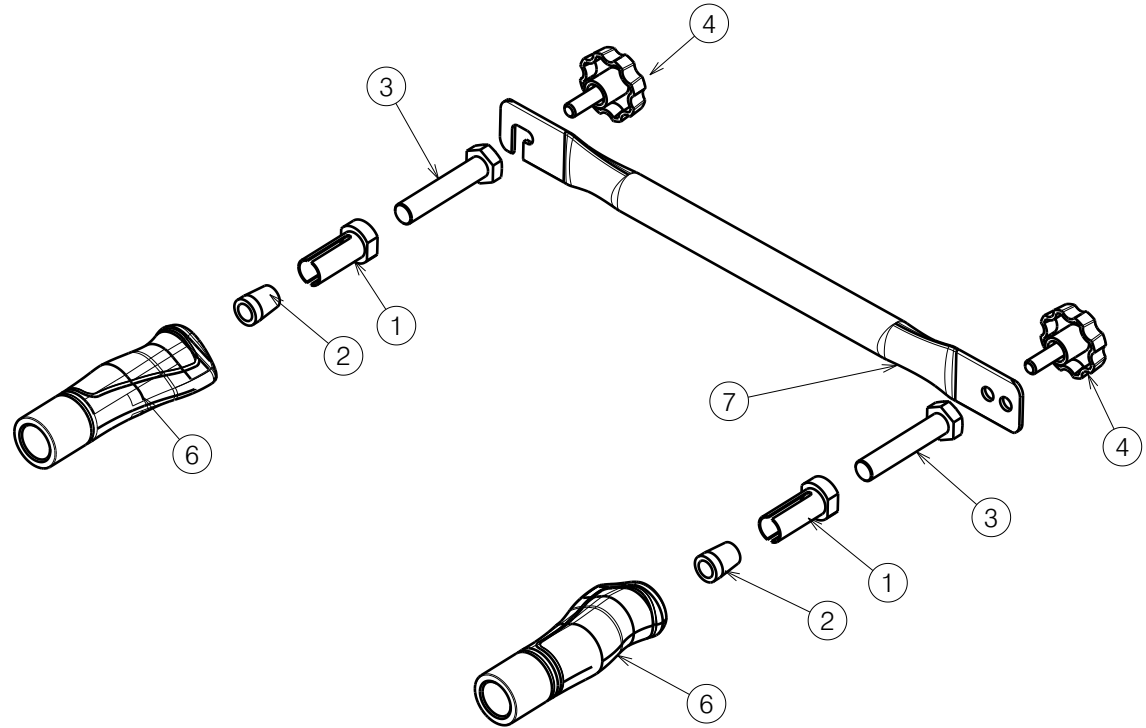


Material			
No.	Plan	Article	Quantity
* 1	X002532	1528800 (1)	2
	X002528	1528400 (2)	2
* 2	X002533	1528900 (1)	2
	X002529	1528500 (2)	2
3	X002527	1528300	2
4	---	1001580	2
6	---	F006491	2
	---	F002907	2
7	P00028130	2646854 (30)	1
	P00029936	2870654 (32)	1
	P00029937	2646954 (34)	1
	P00029938	2646954 (36)	1
	Y020155	1791654 (38)	1
	Y020156	1791754 (40)	1
	Y004762	1521854 (42)	1
	Y004763	1521954 (44)	1
	Y004764	1522054 (46)	1
	Y004765	1522154 (48)	1
Y004766	1522254 (50)	1	

\* (1) -For tube  $\varnothing 22 \times 3$   
(2)- For tube  $\varnothing 25,4 \times 1,5$



B90 TYPE TRIGO				---
				Plan No.
				E00029943 B90 TYPE TRIGO/A.1
Scale:	1:1	Drafted	Verified	Confirmed
Date	2022-01-31	31/01/2022	31/01/2022	31/01/2022
Initials	AS	PM	TK	TK