

Material			
No.	Plan	Article	Quantity
1	M6x12 DIN912	2994005	1
2	X002115	1552699	1
3	X002116	1552799	1
4	X002139	1992426	1
5	X002140	1992427	1
6	X002141	1992435	1
7	X002155	1552599	1
8	X002165	1488399	2
9	X004719	1907581	1
10	X005276	1793900	2
11	X005277	1793899	1
12	X005305	1910032	1
13	Y017665	1763854	1
14	Y020193	1794054	1
15	M6x30 DIN912	1915911	2
16	M4 DIN985	2994901	1
17	M6 DIN127B	1004414	1
18	M6x16 DIN912	2994065	1
19	M6x30 ISO7380	2994129	1
20	M4x12 DIN7984	2995273	1

Sheet 1/2

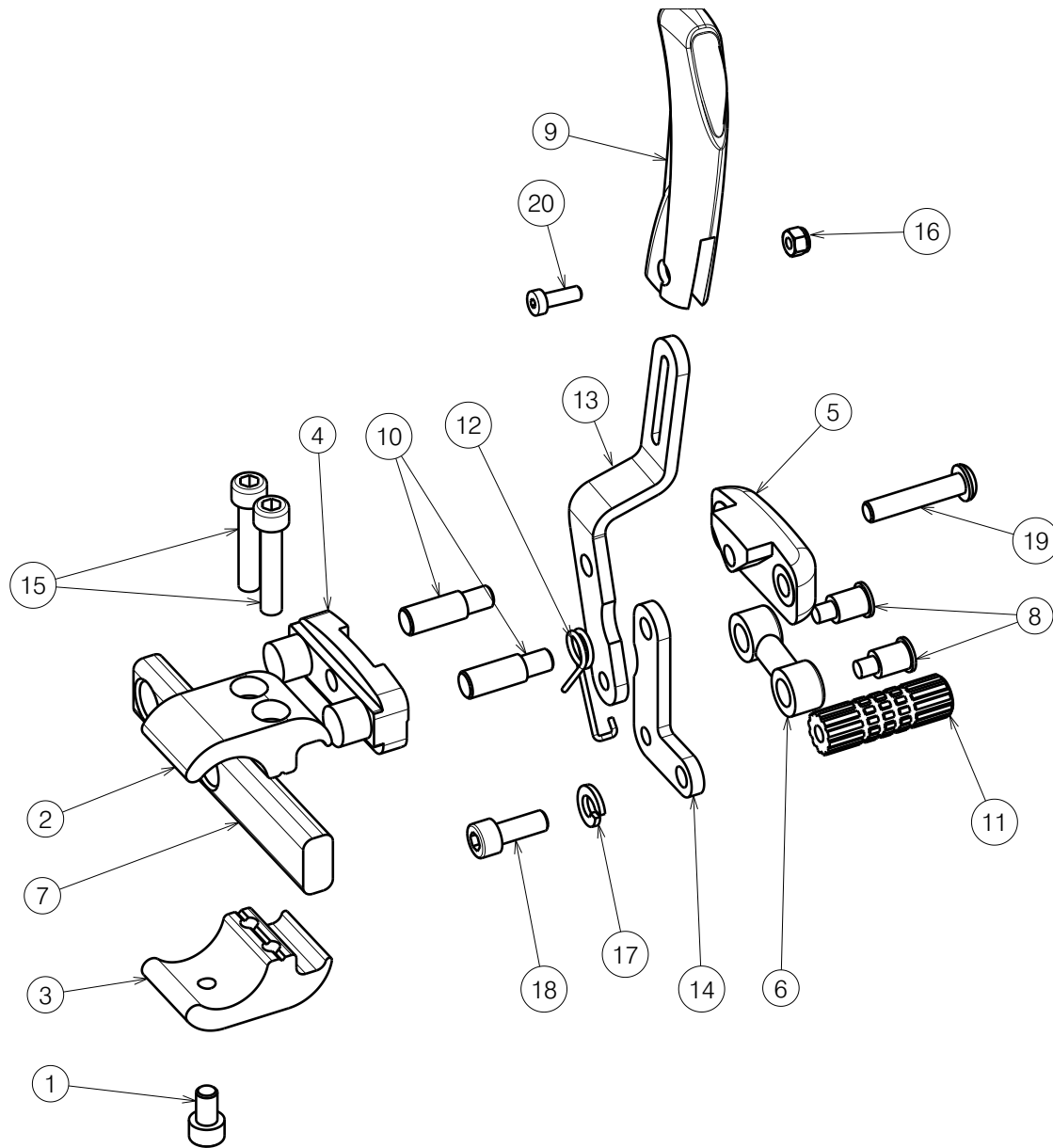
V500D LIGHT BRAKE B40 / B74

Plan No.

E00023606/A.1

Scale:	1:1	Drafted	Verified	Confirmed
Date	2/09/2021	2/09/2021	2/09/2021	2/09/2021
Initials	PM	AZ	TK	





Material			
No.	Plan	Article	Quantity
1	X002112	2994005	1
2	X002115	1552699	1
3	X002116	1552799	1
4	X002139	1992426	1
5	X002140	1992427	1
6	X002141	1992435	1
7	X002155	1552599	1
8	X002165	1488399	2
9	X004719	1907581	1
10	X005276	1793900	2
11	X005277	1793899	1
12	X005306	1910032	1
13	Y017664	1763854	1
14	Y020193	1794054	1
15	M6x30 DIN912	1915911	2
16	M4 DIN985	2994901	1
17	M6 DIN127B	1004414	1
18	M6x16 DIN912	2994065	1
19	M6x30 ISO7380	2994129	1
20	M4x12 DIN7984	2995273	1

Sheet 2/2

Plan No.

E00023606/A.1

V500D LIGHT BRAKE B40 / B74			
Scale: 1:1	Drafted	Verified	Confirmed
Date	2/09/2021	2/09/2021	2/09/2021
Initials	PM	AZ	TK

