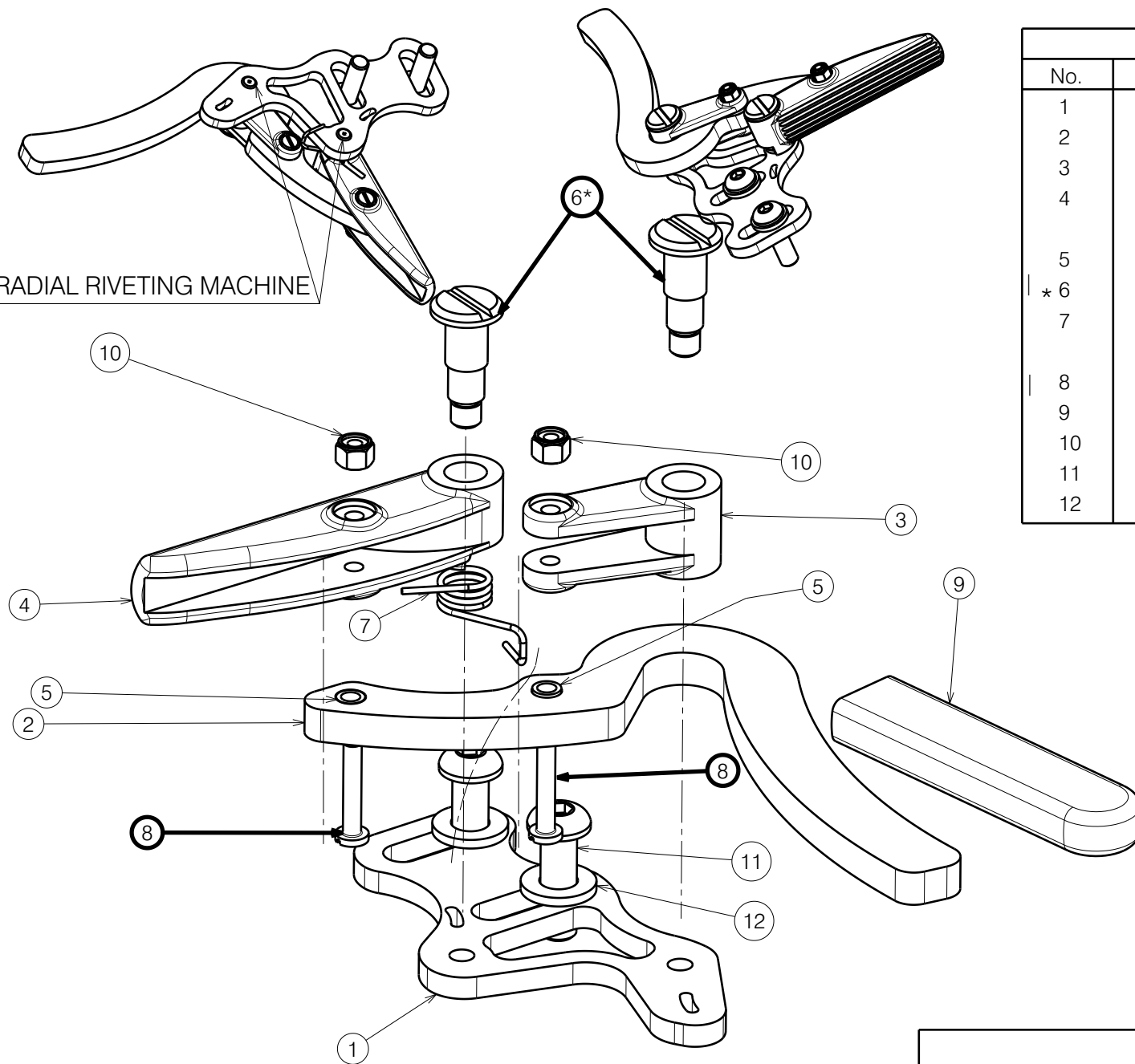
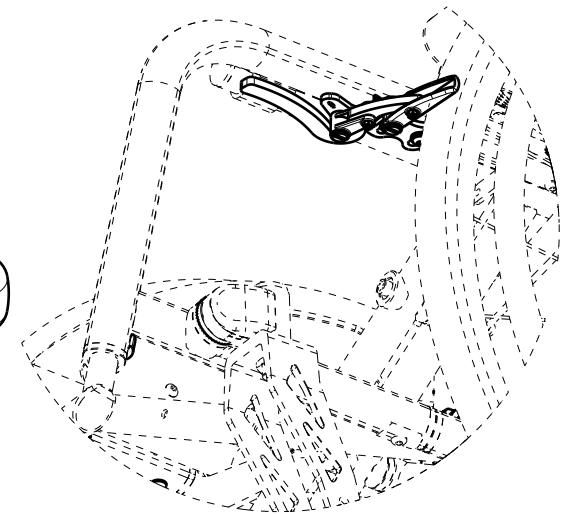


RADIAL RIVETING MACHINE



Material			
No.	Plan	Article	Quantity
1	YP06972	2743765	1
2	YP06973	2743565	1
3	XP02231	2993879	1
4	XP02229(R)	2993877	1
	XP02230(L)	2993878	1
5	XP02079	GP15300	2
* 6	XP02078	GP15299KTL	2
7	XP01914(L)	GP13300	1
	XP01915(R)	GP13400	1
8	XP02922	GP22199KTL	2
9	---	1007521	1
10	M3	2994899	2
11	M6x20	2994010	2
12	M6 DIN 125	2994414	2



* Use an radial riveting machine after adjusting and tightening.

EP00370 / G

SPORTS BRAKE (R,L) TRIGO				Plan No.
				EP00370 / G
Scale: 1:1	Drafted	Verified	Confirmed	
Date	10/01/2018	09/03/2021	09/03/2021	
Initials	AS	TK	TK	