

USER MANUAL

VICAIR®

ADJUSTER 02



relief by air

EN	USER MANUAL	3
NL	GEBRUIKERSHANDLEIDING	9
DE	GEBRAUCHSANWEISUNG	15
FR	MANUEL DE L'UTILISATEUR	22
DA	BRUGERVEJLEDNING	29
SV	BRUKSANVISNING	35
NO	BRUKERMANUAL	41
FI	KÄYTTÖOHJE	47
ES	MANUAL DE USUARIO	53
PT	MANUAL DE UTILIZADO	60
IT	MANUALE UTENTE	67
GR	ΕΓΧΕΙΡΙΔΙΟ ΧΡΗΣΗΣ	74
HR	KORISNIČKI PRIRUČNIK	81
SL	UPORABNIŠKI PRIROČNIK	87
PL	INSTRUKCJA UŻYTKOWNIKA	93
ZH	用户手册	100
JP	ユーザーマニュアル	105

Dear customer,

Thank you for choosing a Vicair® product. We are sure you will appreciate the simplicity, reliability and fantastic effect. For quick installation you can use the Quick Installation Guide provided with your cushion. In addition, please read and understand this user manual before use. Save both the Quick Installation Guide and this manual for future reference.

For more information or to (re)order manuals, contact your country's distributor.
Go to vicair.com for distributor information.

INTRODUCTION

The Vicair Adjuster O2 is a wheelchair seat cushion that provides a very high level of skin protection for persons with a high risk of developing pressure injuries. It is also a high performance addition to a pressure injury treatment plan (stage I-IV). The Vicair Adjuster O2 cushion is machine washable without removing the SmartCells!

INDICATIONS

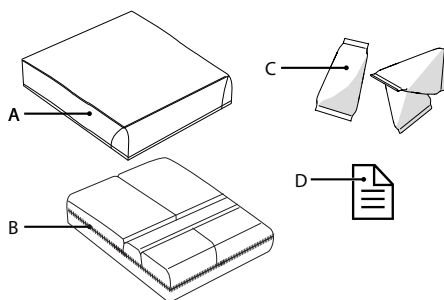
It is used to improve the body-posture of asymmetric persons, to prevent pressure injuries and to provide comfort and stable body support.

It is also a high performance addition to a pressure ulcer treatment plan (stage I-IV).

CONTRAINDICATIONS

When used as intended, there are no known contraindications.

MAIN COMPONENTS



- A. Cushion cover
- B. Cushion
- C. SmartCells™
- D. Quick Installation Guide

GENERAL PRODUCT SPECIFICATIONS

Product name:	Vicair Adjuster O2
Manufactured by:	Vicair B.V., The Netherlands
Warranty:	24 months
Weight (excl. cover):	Smallest size: 0,5 kg / 1.1 lbs Medium size: 0,8 kg / 1.8 lbs Largest size: 1 kg / 2.2 lbs
Available sizes:	See the grid in the back of the manual
Used materials:	All latex free
Cushion:	Top made of polyester fabric with polyurethane coating, bottom of polyester mesh fabric
Filling:	Air-filled SmartCells with low friction coating
O2 Top Cover:	Top: Knitted Polyester fabric. Bottom rim: Polyester fabric with polyurethane anti-slip coating.

Alternative cushion covers:

Comfair Cover: Top: Knitted Polyester fabric. Sides: Polyester 3D Mesh fabric. Bottom: Polyester fabric with polyurethane anti-slip coating.

Incotec Cover & Reversible Cover: Top: Knitted Polyester fabric, coated with fluid resistant breathable polyurethane. Bottom: Polyester fabric with polyurethane anti-slip coating.

All covers: Machine washable. Covers comply with EN1021-1, 1021-2 and CAL117.

PRECAUTIONS AND SAFETY INSTRUCTIONS

A Vicair wheelchair seat cushion may only be used as a wheelchair seat cushion. The use of this product in any other way, is considered to be misuse. Vicair B.V. cannot be held responsible for damage caused by misuse, improper use or negligence. Make sure that you read and understand this manual completely.

Warning! Vicair B.V. recommends to install the Vicair Adjuster O2 under direct supervision of a therapist or Assistive Technology Professional.

Warning! Your tailbone and pelvic bones should not touch the bottom of the cushion. Checking for “bottoming out” should be done during first use and after adjustments to the cushion filling.

Warning! Check your skin regularly for redness, especially during the first few days. If redness occurs and does not disappear after 15 minutes, consult your therapist or Assistive Technology Professional.

Warning! Vicair B.V. recommends to adjust the filling grade under the direct supervision of your therapist or Assistive Technology Professional.

Warning! In case of soiling with body fluids, and when transferring the product to another user, the product must be disinfected to avoid cross contamination.

Warning! Every three months, check the product for wear and deflated cells. In case of serious damage or a large number of deflated cells, do not continue to use the product. Consult your Assistive Technology Professional.

Caution! Do not use or leave the product close to a naked flame or a high temperature heat source.

Caution! Do not steam clean or autoclave the product. The product cannot withstand excessive heat or pressure. When the given cleaning instructions are not followed, it is very likely that the product and/or the product’s cover will age more rapidly.

Caution! Do not use aggressive or abrasive cleaners, or sharp objects to clean the cushion.

Caution! Do not place the topside of the Vicair cushion against the glass of the washer door.

Caution! Make sure the cushion cannot interfere with the wheel spokes.

Caution! Excessive washing may influence the aging of this product.

Notice! Filling grade may slightly deviate from default (see product label).

INSTALLATION

Warning! Vicair B.V. recommends to install the Vicair Adjuster O2 under direct supervision of a therapist or Assistive Technology Professional.

Caution! Make sure the cushion cannot interfere with the wheel spokes.

Notice! Always use cushion with cover.

Notice! Make sure that the wheelchair seat is clean and degreased.

Tip: When you prefer not to use the hook and loop, you can remove the hook strips. Note that the strips connected to the bottom of the cushion cannot be removed.

Perform the following steps when using the O2

Top Cover

These steps correspond to the installation images 1 – 6 on the Quick Installation Guide:

- Check cushion size. Width (X) of the cushion and seat should match. When the cushion rests against arm supports or side-guards, the width may be up to 2.5 cm (1") wider. Depth (Y) of the cushion and seat should match.
- Check if the size of the cover matches the size of the cushion.
- Remove protective backing tape from self-adhesive hook strips attached to the bottom of the cushion.
- Place cushion by pressing firmly.
- Place the O2 Top Cover over the top of the cushion.
- Pass the loop at the back of the cushion through the 'button hole' in the back of the cover.
- Sit on the cushion for a few minutes, to allow the cushion to adapt to your body shape.
- If necessary, adjust foot support.

Alternative cushion cover

Perform the following steps when using the Comfair Cover, Incotec Cover or Reversible Cover.

Please note: The Reversible Cover is delivered with the cool breathable side on the outside. If you require the fluid-resistant side of this cover: first unzip the top section of the cover completely from the bottom section, turn top section inside out and rezip it to the bottom section.

- Check cushion size. Width (X) of the cushion and seat should match. When the cushion rests against arm supports or side-guards, the width may be up to 2.5 cm (1") wider. Depth (Y) of the cushion and seat should match.

- Check if the size of the cover matches the size of the cushion.
- Remove the hook strips from the bottom of the cushion. Note that the strips connected to the bottom of the cushion cannot be removed.
- Insert cushion in cover.
- Pass loop through eyelet in cover.
- Close zipper. Make sure to not damage the cushion.
- Remove protective backing tape from self-adhesive hook strips attached to the cushion cover.
- Place cushion by pressing firmly.
- Sit on the cushion for a few minutes, to allow the cushion to adapt to your body shape.
- If necessary, adjust foot support.

Checking for "bottoming out":

Image 7 - Quick Installation Guide

Warning! Your tailbone and pelvic bones should not touch the bottom of the cushion. Checking for "bottoming out" should be done during first use and after adjustments to the cushion filling.

Warning! Vicair B.V. recommends to adjust the filling grade under the direct supervision of your therapist or Assistive Technology Professional.

- Check for bottoming out, after sitting on the cushion for approximately 5 minutes.
- Let your therapist or Assistive Technology Professional slide a hand between your buttocks and the Vicair cushion while leaning forward.
- Ask your therapist or Assistive Technology Professional to check if your lowest bony prominences are supported by at least 2,5 cm / 1" of SmartCells™. This prevents them from touching the wheelchair seat.

- Do not use the cushion if bottoming out occurs. In most cases, adjusting the filling grade of the compartments will solve the problem.

USE

Checking for redness of the skin

Image 8 - Quick Installation Guide

Warning! Check your skin regularly for redness, especially during the first few days. If redness occurs and does not disappear after 15 minutes, consult your therapist or Assistive Technology Professional.

Adjusting the filling grade

Warning! Vicair B.V. recommends to adjust the filling grade under the direct supervision of your therapist or Assistive Technology Professional.

Ready for use

This Vicair product is ready for use. It has its own unique filling grade, depending on size and model. However – if necessary – the filling grade can be adjusted by removing or adding SmartCells from/to the various compartments. You can find the default filling grade on the label attached to the cushion.

Conditions for use and storage

Caution! Do not use or leave the product close to a naked flame or a high temperature heat source.

- **User weight:**
Minimum: 15 kg / 33 lbs,
maximum: 250 kg / 551 lbs
- **Temperature:**
Minimum: -20 °C / 4 °F,
maximum: 55 °C / 131 °F
- **Use at high altitude**
Notice! Vicair B.V. recommends not to use the cushion above 2400 m (8000 ft) above

sea level or below 50 m (164 ft) below sea level. Because each SmartCell is filled with air, the cushion may behave differently when used at high altitude or in an airplane. Under such circumstances, the cushion's firmness can be adjusted by removing a few cells from each compartment.

- **Air humidity:**
Minimum: 0%, maximum 100%

Daily fluff-up

Vicair B.V. recommends to fluff-up your Vicair cushion before use on a daily basis.

Use of Vicair seat cushions in motor vehicles

Whenever possible, transfer out of the wheelchair and into a car manufacturer-installed vehicle seat without the cushion, and use the vehicle's crash-tested occupant restraint system.

As an alternative for your Vicair wheelchair cushion, the Vicair Allrounder O2 (which can be fastened to the user's body) can be used if you require additional protection in a manufacturer-installed vehicle seat during transportation. When the wheelchair is used as the vehicle seat, the applicable rules and regulations with regard to securing the wheelchair and the wheelchair user during transport should be followed.

There is no data available about the influence on safety of a Vicair wheelchair cushion used in a crash-tested wheelchair.

Re-use - Transferring the product to another user

The product is suitable for repeated use. The number of times it can be used depends on how often and in which way the product is used.

The product has to be thoroughly cleaned and disinfected, before another person is allowed to use it. See chapter 'Maintenance and cleaning' for instructions.

Notice! Make sure the product is correctly adjusted to the other person.

Expected lifetime

The expected lifetime of this product is five years when used in accordance with the safety instructions, maintenance intervals and correct use, stated in this manual.

The effective lifetime can vary according to frequency and intensity of use.

Replacing the cushion cover

Under normal use, Vicair B.V. recommends to replace the cushion cover every year. Replacement covers can be purchased separately.

Disposal

The disposal and recycling of used devices and packaging must comply with the applicable legal regulation. Ensure the product is cleaned prior to disposal to avoid any risk of contamination.

MAINTENANCE AND CLEANING

Warning! Every three months, check the product for wear and deflated cells. In case of serious damage or a large number of deflated cells, do not continue to use the product. Consult your Assistive Technology Professional.

Caution! Do not steam clean or autoclave the product. It cannot withstand excessive heat or pressure. When the given cleaning instructions are not followed, it is very likely that the product will age more rapidly.

Caution! Do not use aggressive or abrasive cleaners, or sharp objects to clean the cushion.

Caution! Do not place the topside of the Vicair O2 cushion against the glass of the washer door.

Caution! Excessive washing may influence the aging of this product.

Cleaning the Vicair Adjuster O2

- **Cleaning the Vicair Adjuster O2 cushion cover**

The cushion cover can be machine washed. Follow the washing instructions on the label attached to the inside of the cover.

(60 °C= 140 °F)



- **Cleaning the Vicair Adjuster O2 cushion**

Your Vicair O2 cushion can be machine washed at 60 °C/140 °F using an anti-crease cycle and mild detergent. You do not need to remove the SmartCells before putting the cushion into the washing machine. Make sure the topside of the cushion is not placed against the glass of the washer door. Do not load the machine with more than half of its maximum load weight. Spin speed should be reduced. When using a machine with agitator, make sure that the cushion can move freely within the drum. Do not use any chlorine bleach and do not dry clean! Do not tumble dry your Vicair O2 cushion but let it air dry (5-6 hours). You can use the sling to hang dry your Vicair O2 cushion.



Disinfecting your Vicair Adjuster O2

Warning! In case of soiling with body fluids, and when transferring the product to another user, the product must be disinfected to avoid cross contamination. Clean the cushion and cover as instructed above. Preferably use an antibacterial detergent. After cleaning spray your cushion and cover with a disinfectant. Bend compartments outwards to make sure the spray gets into the gaps.

REPORTING OF SERIOUS INCIDENTS

Serious incidents from use of Vicair products should be reported to the manufacturer and the relevant competent authority.

WARRANTY

Please see www.vicair.com for complete information on warranty processes, terms and conditions.

Vicair B.V. offers a limited warranty against defects in workmanship and materials, provided the product has been used normally. Any damage arising from abnormal use, or caused by improper handling, cleaning, or negligence, is excluded from this warranty.

Warranty period

From original date of purchase: 24 months.
The SmartCells in this Vicair O2 cushion have a lifelong warranty period.

Should a defect in materials or workmanship occur within the above mentioned warranty period, Vicair B.V. will – at its own choice – repair or replace the product free of charge. The cushion cover is excluded from this warranty. Remedies for breach of express warranties herein are limited to repair or replacement of the product.

In no event shall damages for breach of any warranty include any consequential damages or exceed the cost of non-conforming goods sold.

Any questions?

Contact Vicair B.V. at info@vicair.com or contact your country's Vicair distributor.

Beste klant,

Bedankt voor uw keuze van dit Vicair® product. Wij zijn er van overtuigd dat u de eenvoud, betrouwbaarheid en de hoogwaardige werking snel zult waarderen. Voor een snelle ingebruikname volgt u de aanwijzingen op de bijgeleverde 'Quick Installation Guide'. Daarnaast dient u deze handleiding volledig te lezen en te begrijpen alvorens het product te gebruiken. Bewaar deze handleiding en de 'Quick Installation Guide' goed.

Voor meer informatie of het bestellen van handleidingen, neem contact op met de distributeur in uw land.

Ga naar vicair.com voor informatie over uw distributeur.

INTRODUCTIE

De Vicair Adjuster O2 is een zitkussen voor een rolstoel dat een hoge mate van huidbescherming biedt aan personen met een verhoogd risico op decubitus. Het is tevens een hoogwaardige toevoeging aan een decubitusbehandelplan (graad I – IV). Het Vicair Adjuster O2-kussen kan zonder de SmartCells te verwijderen in de machine worden gewassen!

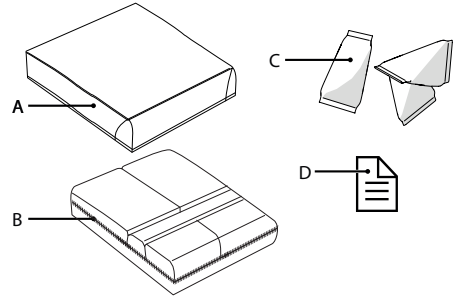
INDICATIES

Het wordt gebruikt ter verbetering van de lichaamshouding van asymmetrische personen, om decubitus te voorkomen en om comfort en stabiele lichaamsondersteuning te bieden. Het is tevens een hoogwaardige toevoeging aan een decubitus behandelplan (graad I – IV).

CONTRA-INDICATIES

Bij gebruik volgens de instructies, zijn er geen contra-indicaties bekend.

BELANGRIJKSTE ONDERDELEN



- A. Kussenhoes
- B. Kussen
- C. SmartCells™
- D. Quick Installation Guide

ALGEMENE PRODUCTSPECIFICATIES

Productnaam:	Vicair Adjuster O2
Fabrikant:	Vicair B.V., Nederland
Garantie:	24 maanden
Gewicht (excl. hoes):	Kleinste maat: 0,5 kg / 1.1 lbs Medium maat: 0,8 kg / 1.8 lbs Grootste maat: 1 kg / 2,2 lbs
Verkrijgbare maten:	Zie maatoverzicht achterin de handleiding
Gebruikte materialen:	Latex vrij
Kussen:	Bovenzijde polyester stof met polyurethaan coating, onderzijde polyester mesh stof

Vulling:	Luchtgevulde SmartCells met low-friction coating
O2 Top Cover kussenhoes:	Bovenkant: Gebreide polyester stof. Onderste rand: Polyester stof met polyurethaan antisliplaag.

Alternatieve kussenhoezen:

Comfair Cover: Bovenkant: Gebreide polyester stof. Zijden: Polyester 3D mesh stof. Onderkant: Polyester stof met polyurethaan antisliplaag.

Incotec Cover & Reversible Cover: Bovenkant: Gebreide polyester stof, gecoat met vloeistofbestendige, ademende polyurethaan. Onderkant: Polyester stof met polyurethaan antisliplaag.

Alle hoezen: Machinaal wasbaar. Voldoen aan EN1021-1, EN1021-2 en CAL117.

VOORZORGSMAATREGELEN EN VEILIGHEIDSINSTRUCTIES

Een Vicair rolstoel zitkussen mag alleen gebruikt worden als een rolstoel zitkussen. Ieder ander gebruik wordt gezien als oneigenlijk gebruik. Vicair B.V. kan niet verantwoordelijk worden gesteld voor eventuele schade veroorzaakt door oneigenlijk, verkeerd of onverstandig gebruik. Zorg ervoor dat u deze handleiding volledig leest en begrijpt.

Waarschuwing! Vicair B.V. raadt aan om de Vicair Adjuster O2 te installeren onder direct toezicht van een therapeut of hulpmiddelenadviseur.

Waarschuwing! Uw staartbeen en bekken mogen de bodem van het kussen niet raken. Het controleren op doorzitten moet worden gedaan tijdens het eerste gebruik en na aanpassingen aan de vulling van uw kussen.

Waarschuwing! Controleer uw huid regelmatig op roodheid, met name gedurende de eerste dagen. Indien er roodheid optreedt en dit na 15 minuten niet verdwenen is, raadpleeg dan uw therapeut of hulpmiddelenadviseur.

Waarschuwing! Vicair B.V. raadt aan om de vulgraad aan te passen onder direct toezicht van uw therapeut of hulpmiddelenadviseur.

Waarschuwing! In geval van vervuiling met lichaamsvloeistoffen en bij het gebruik van het product door een andere gebruiker moet het product gedesinfecteerd worden om kruisbesmetting te voorkomen.

Waarschuwing! Controleer het product om de drie maanden op slijtage en kapotte cellen. Bij ernstige beschadigingen of een groot aantal kapotte cellen dient het gebruik van het product gestaakt te worden. Raadpleeg uw hulpmiddelenadviseur.

Voorzichtig! Gebruik of bewaar dit product niet dichtbij open vuur of een sterke hittebron.

Voorzichtig! Niet stomen of autoclaveren. Het product is niet bestand tegen hoge temperaturen of druk. Wanneer de gegeven reinigingsinstructies niet gevolgd worden, is de kans zeer groot dat het product en/of de hoes van het product sneller slijten.

Voorzichtig! Gebruik geen agressieve of schurende schoonmaakmiddelen of scherpe voorwerpen om het kussen te reinigen.

Voorzichtig! Plaats de bovenkant van het Vicair kussen niet tegen het glas van de wasmachinedeur.

Voorzichtig! Zorg ervoor dat het kussen niet in contact kan komen met de wielspaken van uw rolstoel.

Voorzichtig! Overmatig wassen kan de veroudering van dit product versnellen.

Opmerking! De vulgraad kan licht afwijken van de standaardwaarde (zie productetiket).

INSTALLATIE

Waarschuwing! Vicair B.V. raadt aan om de Vicair Adjuster O2 te installeren onder direct toezicht van een therapeut of hulpmiddelenadviseur.

Voorzichtig! Zorg ervoor dat het kussen niet in contact kan komen met de wielspaken van uw rolstoel.

Let op! Gebruik het kussen altijd met kussenhoes.

Let op! Zorg voor het installeren dat de zitting van de rolstoel schoon en vetvrij is.

Tip: Wanneer u liever geen gebruik maakt van de klittenband, kunt u de klittenbandstrips verwijderen. Let erop dat de strips die aan de onderkant van het kussen zitten, niet verwijderd kunnen worden.

Volg de volgende stappen wanneer u een O2 Top Cover kussenhoes gebruikt

Deze stappen komen overeen met de installatieafbeeldingen 1 – 6 op de Quick Installation Guide:

- Controleer de maat van het kussen. Breedte (X) van het kussen en de zitting moeten overeen komen. Indien het kussen steunt tegen armsteunen of zijschotten, dan mag de kussenbreedte tot maximaal 2,5 cm (1") breder dan de zitting zijn. Diepte (Y) van het kussen en de zitting moeten overeen komen.
- Controleer of de maat van de kussenhoes overeenkomt met de maat van het kussen.
- Verwijder het bescherm papier van de zelfklevende klittenbandstrips die aan de onderzijde van het kussen.
- Plaats het kussen en druk het stevig aan.
- Plaats de O2 Top Cover over de bovenzijde van het kussen.
- Haal het lusje aan de achterzijde van het kussen door het 'knoopsgat' achterin de hoes.

- Ga enkele minuten op het kussen zitten, zodat het zich aan de vorm van uw lichaam kan aanpassen.
- Pas zo nodig de voetsteun(en) van uw rolstoel aan.

Alternatieve kussenhoes

Voer de volgende stappen uit bij het gebruik van de Comfair Cover, Incotec Cover of Reversible Cover.

Let op: De Reversible Cover wordt geleverd met de koele, ademende kant aan de buitenkant. Als u de vloeistofbestendige kant van deze hoes nodig heeft, rits eerst het bovenste gedeelte van de hoes volledig los van het onderste gedeelte, draai het bovenste gedeelte binnenste buiten en rits het weer vast aan het onderste gedeelte.

- Controleer de maat van het kussen. Breedte (X) van het kussen en de zitting moeten overeen komen. Indien het kussen steunt tegen armsteunen of zijschotten, dan mag de kussenbreedte tot maximaal 2,5 cm (1") breder dan de zitting zijn. Diepte (Y) van het kussen en de zitting moeten overeen komen.
- Controleer of de maat van de kussenhoes overeenkomt met de maat van het kussen.
- Verwijder de klittenbandstrips die aan de onderkant van het kussen zitten. Let erop dat de strips die aan de onderkant van het kussen zitten, niet verwijderd kunnen worden.
- Plaats het kussen in de kussenhoes.
- Haal het lusje aan de onder-achterzijde van het kussen door het metalen ringetje in de hoes.
- Sluit de rits. Zorg ervoor dat u tijdens het sluiten het kussen niet beschadigt.
- Verwijder het bescherm papier van de zelfklevende klittenbandstrips die aan de kussenhoes vastzitten.
- Plaats het kussen en druk het stevig aan.

- Ga enkele minuten op het kussen zitten, zodat het zich aan de vorm van uw lichaam kan aanpassen.
- Pas zo nodig de voetsteun(en) van uw rolstoel aan.

Controleren op doorzitten:

Afbeelding 7 - Quick Installation Guide

Waarschuwing! Uw staartbeen en bekken mogen de bodem van het kussen niet raken. Het controleren op doorzitten moet worden gedaan tijdens het eerste gebruik en na aanpassingen aan de vulling van uw kussen.

Waarschuwing! Vicair B.V. raadt aan om de vulgraad aan te passen onder direct toezicht van uw therapeut of hulpmiddelenadviseur.

- Controleer op doorzitten, nadat u ongeveer 5 minuten op het kussen heeft gezeten.
- Vraag uw therapeut of hulpmiddelenadviseur om een hand tussen uw billen en het Vicair-kussen te schuiven, terwijl u voorover leunt.
- Vraag uw therapeut of hulpmiddelenadviseur om te controleren of uw laagste botuitsteeksels door ten minste 2,5 cm SmartCells™ ondersteund worden. Dit voorkomt dat ze het zitvlak van de rolstoel raken.
- Gebruik het kussen niet als doorzitten optreedt. In de meeste gevallen zal het probleem kunnen worden opgelost door de vulgraad van de compartimenten aan te passen.

GEBRUIK

Controleren op roodheid van de huid

Afbeelding 8 - Quick Installation Guide

Waarschuwing! Controleer uw huid regelmatig op roodheid, met name gedurende de eerste dagen. Indien er roodheid optreedt en dit na 15 minuten niet verdwenen is, raadpleeg dan uw therapeut of hulpmiddelenadviseur.

Aanpassen van de vulgraad

Waarschuwing! Vicair B.V. raadt aan om de vulgraad aan te passen onder direct toezicht van uw therapeut of hulpmiddelenadviseur.

Ready for use

Dit Vicair product is 'Ready for use': klaar voor gebruik. Het heeft zijn eigen unieke vulgraad, afhankelijk van de maat en het model. Desondanks is het – indien noodzakelijk – mogelijk om de vulgraad aan te passen door SmartCells toe te voegen aan of te verwijderen uit de compartimenten. U kunt de originele vulgraad vinden op het kussenlabel.

Omgevingscondities voor gebruik en opslag

Voorzichtig! Gebruik of bewaar dit product niet dichtbij open vuur of een sterke hittebron.

- **Gebruikersgewicht:**
Minimum: 15 kg / 33 lbs,
maximum: 250 kg / 551 lbs
- **Temperatuur:**
Minimum: -20 °C / 4 °F,
maximum: 55 °C / 131 °F
- **Gebruik op grote hoogte**
Let op! Vicair B.V. beveelt aan dit product niet op een hoogte lager dan 50 meter onder zeeniveau of hoger dan 2400 meter boven zeeniveau te gebruiken. Omdat de SmartCells gevuld zijn met lucht, kan het kussen anders aanvoelen als het op grote hoogte of in een vliegtuig gebruikt wordt. Onder zulke omstandigheden kan de stevigheid van het kussen worden aangepast door uit elk compartiment een paar SmartCells te verwijderen.
- **Luchtvochtigheid:**
Minimum: 0%, maximum 100%

Dagelijks opschudden

Vicair B.V. beveelt aan om uw Vicair kussen dagelijks op te schudden voor gebruik.

Gebruik in motorvoertuigen

Verplaats, indien mogelijk, vanuit de rolstoel en in een door de autofabrikant geplaatste autostoel zonder het kussen, en gebruik de veiligheidsgordels van de auto.

Als alternatief voor uw Vicair rolstoelkussen kan de Vicair Alrounder O2 gebruikt worden (die aan het lichaam kan worden bevestigd), als u aanvullende bescherming in een door de autofabrikant geplaatste autostoel nodig heeft tijdens vervoer.

Wanneer de rolstoel als autostoel gebruikt wordt dienen de geldende regels en voorschriften, ten aanzien van het vastzetten van de rolstoel en de rolstoelgebruiker gedurende het vervoer, gevolgd te worden. Er zijn geen gegevens beschikbaar over de invloed op de veiligheid van een Vicair rolstoelkussen die gebruikt wordt in een bij botsingen geteste rolstoel.

Het kussen door een ander persoon laten gebruiken

Het product is geschikt voor herhaald gebruik. Het aantal malen dat het gebruikt kan worden is afhankelijk van hoe vaak en op welke manier het product gebruikt wordt. Voordat een ander het product mag gebruiken, dient het eerst grondig gereinigd en gedesinfecteerd te worden. Zie het hoofdstuk 'Onderhoud en reiniging' voor instructies.

Let op! Zorg ervoor dat het kussen correct is aangepast aan de nieuwe gebruiker.

Verwachte levensduur

De verwachte levensduur van dit product is vijf jaar, bij gebruik volgens de veiligheidsinstructies, met de juiste onderhoudsintervallen en correct gebruik, zoals in deze handleiding vermeld staat. De effectieve levensduur kan afhankelijk van de frequentie en intensiteit van het gebruik variëren.

Vervangen van de kussenhoes

Vicair B.V. beveelt aan om bij normaal gebruik de kussenhoes ieder jaar te vervangen. Hoezen kunnen los besteld worden.

Het product weggooiën

Het weggooiën en recyclen van product en verpakking moet worden uitgevoerd overeenkomstig de hiervoor geldende regelgeving. Zorg ervoor dat het product voor het weggooiën is gereinigd, ter voorkoming van kruisbesmetting.

ONDERHOUD EN REINIGING

Waarschuwing! Controleer het product om de drie maanden op slijtage en kapotte cellen. Bij ernstige beschadigingen of een groot aantal kapotte cellen dient het gebruik van het product gestaakt te worden. Raadpleeg uw hulpmiddelenadviseur.

Voorzichtig! Dit product niet reinigen in de stomerij of autoclaaf. Het product is niet bestand tegen extreme hitte of druk. Indien de opgegeven wasinstructies niet in acht worden genomen, kan een versnelde veroudering van het product plaatsvinden.

Voorzichtig! Gebruik geen agressieve of schurende schoonmaakmiddelen of scherpe voorwerpen om het kussen te reinigen.

Voorzichtig! Plaats de bovenkant van het Vicair O2 kussen niet tegen het glas van de wasmachinedeur.

Voorzichtig! Overmatig wassen kan de veroudering van dit product versnellen.

Het reinigen van de Vicair Adjuster O2

• Het reinigen van de kussenhoes van de Vicair Adjuster O2

De kussenhoes is machinaal wasbaar. Volg hiervoor de wasinstructies op het label aan de binnenkant van de hoes.
(60 °C=140 °F)



- **Het reinigen van het Vicair Adjuster O2 kussen**

Uw Vicair O2 kussen kan in de machine op 60°C /140 °F worden gewassen op een anti-kreuk programma, met een mild wasmiddel. U hoeft de SmartCells niet te verwijderen voordat u het kussen in de wasmachine doet. Zorg ervoor dat de bovenkant van het kussen niet tegen het glas van de wasmachinedeur wordt geplaatst. Laad de machine niet met meer dan de helft van het maximale gewicht. De centrifugesnelheid moet worden verlaagd. Wanneer u een machine met roerwerk gebruikt, zorg er dan voor dat het kussen vrij in de trommel kan bewegen. Niet chloorbleken en niet stomen! Het Vicair O2 kussen niet drogen in de droger. Laat het kussen aan de lucht drogen (5-6 uur). U kunt het lusje gebruiken om het Vicair O2 kussen aan op te hangen tijdens het drogen.



Het desinfecteren van uw Vicair Adjuster O2

Waarschuwing! In het geval van verontreiniging met lichaamsvloeistoffen of voordat dit product door een ander persoon gebruikt wordt, moet het product gedesinfecteerd worden om kruisbesmetting te voorkomen. Reinig het kussen en de hoes, zoals hierboven beschreven is. Gebruik bij voorkeur een antibacterieel reinigingsmiddel. Besproei uw kussen en de hoes na de reiniging met een desinfectiemiddel. Buig de compartimenten naar buiten om ervoor te zorgen dat de spray ook in de openingen komt.

MELDEN VAN ERNSTIGE INCIDENTEN

Ernstige incidenten die voortkomen uit het gebruik van de producten van Vicair dienen zowel bij de fabrikant als de betreffende daarvoor bevoegde instantie gemeld te worden.

GARANTIE

Ga naar www.vicair.com voor volledige informatie inzake garantieprocedures en garantievoorwaarden.

Vicair B.V. biedt een beperkte garantie op productie- en materiaalfouten, onder voorwaarde dat het product op normale wijze is gebruikt. Elke schade die ontstaat door abnormaal gebruik, onjuist hanteren, reinigen of nalatigheid, valt niet onder deze garantie.

Garantieperiode

Vanaf originele aanschafdatum: 24 maanden. De SmartCells in dit Vicair O2 kussen hebben een levenslange garantieperiode.

Indien er binnen bovengenoemde garantieperiode productie- of materiaalfouten optreden, zal Vicair B.V. – naar eigen inzicht en goedgevonden – het product kosteloos repareren dan wel vervangen. De kussenhoes valt buiten de garantie. De garantie beperkt zich tot het repareren of vervangen van het product. In geen geval zullen de garantiekosten eventuele gevolgschade dekken of kosten van de verkochte non-conforme producten overstijgen.

Heeft u vragen?

Neem contact op met Vicair B.V. via info@vicair.com of neem contact op met de Vicair distributeur in uw land.

Lieber Kunde,

Vielen Dank, dass Sie sich für ein Vicair® Produkt entschieden haben. Wir sind uns sicher, dass Sie von der einfachen Anwendung, der Zuverlässigkeit und den hervorragenden Eigenschaften überzeugt sein werden. Wenn Sie Ihr Produkt gleich nutzen möchten, können Sie die dem Kissen beiliegende Kurzanleitung benutzen. Sie sollten sich jedoch vor der Verwendung zusätzlich mit dieser Gebrauchsanweisung vertraut machen. Bewahren Sie die Kurzanleitung und diese Gebrauchsanweisung zum späteren Nachschlagen auf.

Für weitere Informationen oder um eine Gebrauchsanweisungen zu bestellen bzw. nachzubestellen, kontaktieren Sie bitte die Handelsvertretung in Ihrem Land. Informationen zu Händlern und Niederlassungen finden Sie auf vicair.com.

EINLEITUNG

Das Vicair Adjuster O2 ist ein Rollstuhlsitzkissen, das Personen mit hohem Risiko für Druckverletzungen ein besonders hohes Mass an Hautschutz bietet. Es ist ausserdem eine hervorragende Ergänzung zu einem Druckverletzungs-Behandlungsplan (Stufe I–IV). Das Vicair Adjuster O2 Kissen ist maschinenwaschbar, die SmartCells müssen dazu nicht herausgenommen werden!

INDIKATIONEN

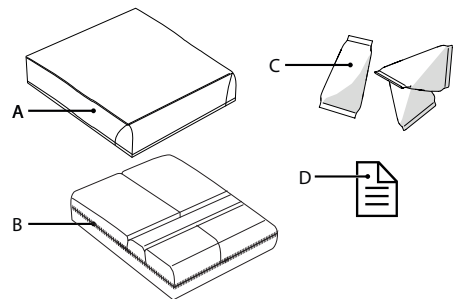
Es bietet Sitzkomfort und eine stabile Stütze für den Körper, um die Körperhaltung von

asymmetrischen Personen zu verbessern und Druckverletzungen zu vermeiden. Es ist außerdem eine hervorragende Ergänzung zu einem Dekubitus-Behandlungsplan (Stufe I–IV).

KONTRAINDIKATIONEN

Bei bestimmungsgemäßem Gebrauch sind keine Kontraindikationen bekannt.

HAUPTBESTANDTEILE



- A. Kissenbezug
- B. Kissen
- C. SmartCells™
- D. Kurzanleitung (Quick Installation Guide)

ALLGEMEINE PRODUKTDATEN

Name des Produkts:	Vicair Adjuster O2
Hergestellt von:	Vicair B.V., Niederlande
Garantie:	24 Monate
Gewicht (ohne Bezug):	Kleinste Größe: 0,5 kg / 1.1 lbs Mittlere Größe: 0,8 kg / 1.8 lbs Größte Größe: 1 kg / 2,2 lbs
Verfügbare Größen:	Beachten Sie die Tabelle am Ende der Gebrauchsanweisung

Verwendete Materialien:	Komplett latexfrei
Kissen:	Oberseite aus Polyestergewebe mit Polyurethan-Beschichtung, Unterseite aus Polyesterstrickgewebe
Füllung:	Luftgefüllte SmartCells mit reibungsarmer Beschichtung
O2 Top Cover Kissenbezug:	Oberseite: Polyesterstrickgewebe. Untere Einfassung: Polyestergewebe mit rutschhemmender PU-Beschichtung.

Optional erhältliche Kissenbezüge:

Comfair Cover Kissenbezug: Oberseite: Polyesterstrickgewebe. Seiten: 3D-Netzgewebe aus Polyester. Unterseite: Polyestergewebe mit rutschhemmender PU-Beschichtung.
 Incotec Cover & Reversible Kissenbezüge: Oberseite: Polyesterstrickgewebe, beschichtet mit flüssigkeitsabweisendem, atmungsaktivem Polyurethan. Unterseite: Polyestergewebe mit rutschhemmender PU-Beschichtung.

Alle Bezüge: Maschinenwaschbar. Die Bezüge entsprechen EN1021-1, 1021-2 und CAL117.

VORSICHTSMASSNAHMEN UND SICHERHEITSHINWEISE

Ein Vicair Rollstuhlsitzkissen darf nur als Rollstuhlsitzkissen verwendet werden. Jede Zweckentfremdung dieses Produktes gilt als missbräuchliche Verwendung. Vicair B.V. übernimmt keine Haftung für Schäden, die durch missbräuchliche oder unsachgemäße Nutzung oder Fahrlässigkeit verursacht wurden. Lesen Sie diese Gebrauchsanweisung

vollständig und vergewissern Sie sich, dass Sie alle Angaben verstanden haben.

Achtung! Vicair B.V. empfiehlt, das Vicair Adjuster O2 unter direkter Aufsicht eines Therapeuten oder Hilfsmittelberaters anzupassen.

Achtung! Ihr Steißbein und Ihre Sitzbeinknochen dürfen den Boden des Kissens nicht berühren. Führen Sie bei der ersten Benutzung und nach jeder Füllgradveränderung eine Durchsitzkontrolle durch.

Achtung! Überprüfen Sie Ihre Haut regelmässig auf Rötungen, vor allem in den ersten Tagen. Falls Hautrötungen auftreten, die nach 15 Minuten nicht wieder abklingen, wenden Sie sich bitte an Ihren Therapeuten oder Hilfsmittelberater.

Achtung! Vicair B.V. empfiehlt Ihnen, den Füllgrad unter direkter Aufsicht eines Therapeuten oder Hilfsmittelberaters anzupassen.

Achtung! Falls das Kissen durch Körperausscheidungen verschmutzt oder an einen anderen Benutzer weitergegeben wird, muss es desinfiziert werden, um eine Kreuzkontamination zu verhindern.

Achtung! Überprüfen Sie das Produkt alle drei Monate auf Verschleiß und defekte Zellen. Im Fall einer schweren Beschädigung oder einer größeren Anzahl defekter Zellen benutzen Sie das Kissen nicht weiter. Wenden Sie sich an Ihren Hilfsmittelberater.

Vorsicht! Verwenden bzw. lagern Sie das Produkt nicht in der Nähe offener Flammen oder einer Wärmequelle mit hohen Temperaturen.

Vorsicht! Reinigen Sie das Kissen nicht mit heissem Dampf oder Hochdruck. Das Produkt hält übermässiger Hitze oder hohem Druck nicht stand. Wird die Reinigungsanleitung nicht befolgt, kann es sein, dass das Produkt und/oder der Bezug deutlich schneller altern.

Vorsicht! Verwenden Sie keine aggressiven oder scheuernden Reinigungsmittel oder scharfen Gegenstände zur Reinigung des Kissens.

Vorsicht! Achten Sie darauf, dass die Oberseite des Vicair Kissens nicht am Glas der Waschmaschinentür anliegt.

Vorsicht! Achten Sie darauf, dass das Kissen nicht in die Radspeichen gelangt.

Vorsicht! Übermäßiges Waschen kann zu einer vorzeitigen Alterung dieses Produkts führen.

Hinweis! Der Füllgrad kann geringfügig vom Standard (siehe Produktetikett) abweichen.

ANPASSUNG

Achtung! Vicair B.V. empfiehlt, das Vicair Adjuster O2 unter direkter Aufsicht eines Therapeuten oder Hilfsmittelberaters anzupassen.

Vorsicht! Achten Sie darauf, dass das Kissen nicht in die Radspeichen gelangt.

Hinweis! Verwenden Sie das Kissen nur mit Bezug.

Hinweis! Achten Sie darauf, dass der Sitz des Rollstuhls sauber und fettfrei ist.

Tipp: Wenn Sie das Klettband nicht verwenden möchten, können Sie die Klettstreifen abziehen. Beachten Sie bitte, dass sich die an der Unterseite des Kissens befestigten Klettstreifen nicht entfernen lassen.

Befolgen Sie die folgenden Schritte, wenn Sie den O2 Top Cover Kissenbezug nutzen

Diese Schritte entsprechen den Abbildungen 1 – 6 im Quick Installation Guide:

- Kontrollieren Sie die Größe des Kissens. Die Breite (X) des Kissens sollte mit der Breite der Rollstuhlsitzfläche übereinstimmen. Falls das Kissen seitlich von Armlehnen oder Seitenteilen begrenzt wird, darf es bis zu 2,5 cm (1") breiter sein. Die Tiefe (Y) des Kissens

sollte mit der Länge der Rollstuhlsitzfläche übereinstimmen.

- Überprüfen Sie, ob die Größe des Bezugs mit der Größe des Kissens übereinstimmt.
- Entfernen Sie den Schutzstreifen von den selbsthaftenden Klettstreifen an der Unterseite des Kissens.
- Fixieren Sie das Kissen mit kräftigem Druck am Rollstuhl.
- Beziehen Sie das Kissen mit dem O2 Top Cover Kissenbezug.
- Ziehen Sie die Schlaufe an der Rückseite des Kissens durch das "Knopfloch" im hinteren Teil des Bezugs.
- Setzen Sie sich einige Minuten auf das Kissen, damit es sich Ihrer Körperform anpassen kann.
- Verstellen Sie gegebenenfalls die Fußstütze(n).

Alternativer Kissenbezug

Führen Sie die folgenden Schritte aus, wenn Sie den Comfair Cover, Incotec Cover oder Reversible Cover Kissenbezug verwenden. Hinweis: Bei Auslieferung des wendbaren Reversible Cover Kissenbezugs ist immer die kühle, atmungsaktive Seite nach außen gerichtet. Wenn Sie die flüssigkeitsabweisende Seite dieses Bezugs verwenden möchten: öffnen Sie den Reißverschluss und trennen Sie zunächst das Oberteil des Kissenbezugs vollständig vom Unterteil, anschließend das Oberteil nach außen wenden und wieder am Unterteil befestigen.

- Kontrollieren Sie die Größe des Kissens. Die Breite (X) des Kissens sollte mit der Breite der Rollstuhlsitzfläche übereinstimmen. Falls das Kissen seitlich von Armlehnen oder Seitenteilen begrenzt wird, darf es bis zu 2,5 cm (1") breiter sein. Die Tiefe (Y) des Kissens sollte mit der Länge der Rollstuhlsitzfläche übereinstimmen.

- Überprüfen Sie, ob die Größe des Bezugs mit der Größe des Kissens übereinstimmt.
- Ziehen Sie die Klettstreifen von der Unterseite des Kissens ab. Beachten Sie bitte, dass sich die an der Unterseite des Kissens befestigten Klettstreifen nicht entfernen lassen.
- Beziehen Sie das Kissen mit dem gewünschten Bezug.
- Ziehen Sie nun die Schlaufe durch die Öffnung im Bezug.
- Schließen Sie den Reißverschluss. Achten Sie dabei darauf, dass Sie das Kissen nicht beschädigen.
- Entfernen Sie den Schutzstreifen von den selbsthaftenden Klettstreifen am Kissenbezug.
- Fixieren Sie das Kissen mit kräftigem Druck am Rollstuhl.
- Setzen Sie sich einige Minuten auf das Kissen, damit es sich Ihrer Körperform anpassen kann.
- Verstellen Sie gegebenenfalls die Fußstütze(n).

Durchsitzkontrolle:

Abbildung 7 - Quick Installation Guide

Achtung! Ihr Steißbein und Ihre Sitzbeinknochen dürfen den Boden des Kissens nicht berühren. Führen Sie bei der ersten Benutzung und nach jeder Füllgradveränderung eine Durchsitzkontrolle durch.

Achtung! Vicair B.V. empfiehlt Ihnen, den Füllgrad unter direkter Aufsicht eines Therapeuten oder Hilfsmittelberaters anzupassen.

- Nachdem Sie ca. 5 Minuten auf dem Kissen gesessen sind, kontrollieren Sie, ob Sie durchsitzen.
- Lassen Sie Ihren Therapeuten oder Hilfsmittelberater eine Hand zwischen Ihr

Gesäss und das Vicair-Kissen schieben, während Sie sich nach vorne beugen.

- Bitten Sie Ihren Therapeuten oder Hilfsmittelberater zu überprüfen, ob die bei Ihnen am tiefsten liegenden, vorstehenden Knochen von mindestens 2,5 cm / 1" hohen SmartCells™ gestützt werden. Das verhindert, dass diese den Sitz des Rollstuhls berühren.
- Verwenden Sie das Kissen nicht, falls Sie durchsitzen. In den meisten Fällen verschafft eine Anpassung des Füllgrads der Kammern Abhilfe.

VERWENDUNG

Kontrolle auf Hautrötungen

Abbildung 8 - Quick Installation Guide

Achtung! Überprüfen Sie Ihre Haut regelmässig auf Rötungen, vor allem in den ersten Tagen. Falls Hautrötungen auftreten, die nach 15 Minuten nicht wieder abklingen, wenden Sie sich bitte an Ihren Therapeuten oder Hilfsmittelberater.

Anpassung des Füllgrads

Achtung! Vicair B.V. empfiehlt Ihnen, den Füllgrad unter direkter Aufsicht eines Therapeuten oder Hilfsmittelberaters anzupassen.

Gebrauchsfertiges Produkt

Dieses Vicair-Produkt ist sofort einsatzbereit. Jedes Kissen weist abhängig von seiner Größe und dem Modell einen individuellen Füllgrad auf. Allerdings kann der Füllgrad – sollte dies notwendig sein – durch Entnehmen oder Hinzufügen von SmartCells aus den/in die verschiedenen Kammern individuell angepasst werden. Angaben zum werksseitigen Füllgrad finden Sie auf dem am Kissen angebrachten Etikett.

Bedingungen für die Verwendung und Lagerung des Kissens

Vorsicht! Verwenden bzw. lagern Sie das Produkt nicht in der Nähe offener Flammen oder einer Wärmequelle mit hohen Temperaturen.

- **Benutzergewicht:**

Minimum: 15 kg / 33 lbs,

Maximum: 250 kg / 551 lbs

- **Temperatur:**

Minimum: -20 °C / 4 °F,

Maximum: 55 °C / 131 °F

- **Benutzung in großen Höhen**

Hinweis! Vicair B.V. empfiehlt, das Kissen nicht in Höhen über 2400 m (8000 ft) über dem Meeresspiegel bzw. 50 m (164 ft) unter dem Meeresspiegel zu benutzen. Da jede SmartCell mit Luft gefüllt ist, kann sich das Kissen anders verhalten, wenn es in großen Höhen oder im Flugzeug verwendet wird.

Unter diesen Umständen kann die Härte des Sitzkissens durch die Entnahme einiger Zellen aus jeder Kammer angepasst werden.

- **Luftfeuchtigkeit:**

Minimum: 0 %, Maximum 100 %

Tägliches Aufschütteln

Vicair B.V. empfiehlt Ihnen, das Vicair Kissen jeden Tag vor der Verwendung aufzuschütteln.

Verwendung von Vicair Sitzkissen in motorisierten Fahrzeugen

Wann immer möglich, wechseln Sie vom Rollstuhl in den vom Fahrzeughersteller installierten Fahrzeugsitz ohne Kissen und verwenden Sie das unfallgeprüfte Insassenrückhaltesystem des Fahrzeugs. Als Alternative zu Ihrem Vicair Rollstuhlkissen können Sie den Vicair Allrounder O2 benutzen (der am Körper des Benutzers befestigt wird), falls Sie in einem vom Hersteller installierten Fahrzeugsitz während der Fahrt zusätzlichen Schutz benötigen.

Wenn der Rollstuhl als Fahrzeugsitz eingesetzt wird, sind die geltenden Regeln und Vorschriften zur Sicherung des Rollstuhls und des Rollstuhlbenutzers während der Fahrt zu beachten.

Es liegen keine Daten über den Einfluss eines Vicair Rollstuhlkissens auf die Sicherheit in einem unfallgeprüften Rollstuhl vor.

Wiederverwendbar - Weitergabe des Produkts an andere Benutzer

Das Produkt ist für eine mehrfache Verwendung geeignet. Wie oft es verwendet werden kann, hängt davon ab, wie häufig und auf welche Weise das Produkt eingesetzt wird. Das Produkt muss gründlich gereinigt und desinfiziert werden, bevor es von einer anderen Person benutzt wird. Eine entsprechende Anleitung finden Sie im Kapitel „Pflege und Reinigung“.

Hinweis! Stellen Sie sicher, dass das Kissen korrekt an die andere Person angepasst ist.

Erwartete Lebensdauer

Die voraussichtliche Lebensdauer dieses Produktes beträgt fünf Jahre, wenn es in Übereinstimmung mit den Sicherheitshinweisen, Wartungsintervallen und der korrekten Verwendung, die in dieser Gebrauchsanweisung angegeben sind, verwendet wird.

Die effektive Lebensdauer kann je nach Häufigkeit und Intensität der Nutzung abweichen.

Wechseln des Außenbezugs

Bei normaler Benutzung empfiehlt Vicair B.V., den Kissenbezug einmal jährlich zu wechseln. Ersatzbezüge sind separat erhältlich.

Entsorgung

Die Entsorgung und das Recycling von verwendeten Produkten sowie der Verpackung müssen den geltenden örtlichen Vorschriften genügen. Stellen Sie sicher, dass das Produkt vor der Entsorgung gereinigt wird, um jegliches Kontaminierungsrisiko zu vermeiden.

PFLEGE UND REINIGUNG

Achtung! Überprüfen Sie das Produkt alle drei Monate auf Verschleiß und defekte Zellen. Im Fall einer schweren Beschädigung oder einer größeren Anzahl defekter Zellen benutzen Sie das Kissen nicht weiter. Wenden Sie sich an Ihren Hilfsmittelberater.

Vorsicht! Reinigen Sie das Kissen nicht mit heißem Dampf oder Hochdruck. Es hält übermäßiger Hitze oder hohem Druck nicht stand. Wird die Reinigungsanleitung nicht befolgt, kann es sein, dass das Produkt deutlich schneller altert.

Vorsicht! Verwenden Sie keine aggressiven oder scheuernden Reinigungsmittel oder scharfen Gegenstände zur Reinigung des Kissens.

Vorsicht! Achten Sie darauf, dass die Oberseite des Vicair O2 Kissens nicht am Glas der Waschmaschinentür anliegt.

Vorsicht! Übermäßiges Waschen kann zu einer vorzeitigen Alterung dieses Produkts führen.

Reinigung des Vicair Adjuster O2

• Reinigung des Vicair Adjuster O2 Kissenbezugs

Der Kissenbezug ist maschinenwaschbar. Befolgen Sie die Waschanleitung auf dem Label an der Innenseite des Bezugs.

(60 °C= 140 °F)



• Reinigung des Vicair Adjuster O2 Kissens

Ihr Vicair O2 Kissen ist bei 60 °C/ 140 °F im Schonwaschgang mit etwas mildem Waschmittel maschinenwaschbar. Sie müssen die SmartCells nicht entnehmen, bevor Sie das Kissen in die Waschmaschine geben. Achten Sie darauf, dass die Oberseite des Kissens nicht gegen das Glas der Waschmaschinentür gedrückt wird. Beladen Sie die Waschmaschine höchstens bis zur Hälfte der maximalen Ladung. Die Schleuderdrehzahl sollte verringert werden. Wenn Sie eine Waschmaschine mit Rührwerk verwenden, achten Sie darauf, dass sich das Kissen frei in der Trommel bewegen kann. Verwenden Sie keine Chlorbleiche und lassen Sie das Kissen nicht chemisch reinigen! Trocknen Sie Ihr Vicair O2 Kissen nicht im Wäschetrockner, sondern lassen Sie es lufttrocknen. Sie können Ihr Vicair O2 Kissen zum Trocknen an der Schlaufe aufhängen.



Desinfizierung Ihres Vicair Adjuster O2

Achtung! Falls das Produkt durch Körperausscheidungen verschmutzt oder an einen anderen Benutzer weitergegeben wird, muss es desinfiziert werden, um eine Kreuzkontamination zu verhindern. Reinigen Sie das Kissen und den Bezug wie oben beschrieben. Verwenden Sie dazu vorzugsweise ein antibakterielles Reinigungsmittel. Sprühen Sie Ihr Kissen und den Bezug nach der Reinigung mit einem Desinfektionsmittel ein. Biegen Sie die Kammern nach außen, um sicherzugehen, dass das Spray auch in die Zwischenräume gelangt.

MELDUNG SCHWERWIEGENDER ZWISCHENFÄLLE

Schwerwiegende Zwischenfälle in Zusammenhang mit der Verwendung von Vicair-Produkten sind dem Hersteller und der jeweils zuständigen Behörde zu melden.

GARANTIE

Vollständige Informationen zu Garantiefällen sowie den allgemeinen Geschäftsbedingungen erhalten Sie auf www.vicair.com.

Vicair B.V. bietet eine eingeschränkte Garantie auf Herstellungs- und Materialfehler, vorausgesetzt das Produkt wurde normal genutzt. Beschädigungen durch unsachgemäße Nutzung, Handhabung, Reinigung oder Fahrlässigkeit sind von der Garantie ausgenommen.

Garantiezeitraum

Ab dem Kaufdatum: 24 Monate.

Für die SmartCells in diesem Vicair O2 Kissen gilt eine lebenslange Garantie.

Sollte innerhalb des Garantiezeitraums ein Herstellungs- oder Materialfehler auftreten, wird Vicair B.V. – nach eigenem Ermessen – das Produkt kostenfrei reparieren oder ersetzen.

Der Kissenbezug ist von der Garantie ausgenommen. Im Garantiefall besteht lediglich Anspruch auf eine Reparatur oder einen Austausch des Produkts.

Der Garantieanspruch schließt in keinem Fall Entschädigungen für Folgeschäden oder Kosten ein, die den Wert der verkauften nicht-konformen Ware übersteigen.

Haben Sie noch Fragen?

Kontaktieren Sie Vicair B.V. unter info@vicair.com oder wenden Sie sich an den Vicair Händler in Ihrem Land.

Cher client,

Merci d'avoir choisi un produit Vicair®. Nous sommes certains que vous apprécierez la simplicité, la fiabilité et l'effet fantastique de ce produit. Pour une installation rapide, vous pouvez utiliser le guide d'installation rapide fourni avec votre coussin. Veuillez lire et comprendre ce manuel de l'utilisateur avant utilisation. Conservez le guide d'installation rapide et le présent manuel pour référence ultérieure.

Pour plus d'informations ou pour (re) commander des manuels, contactez le distributeur de votre pays.

Rendez-vous sur vicair.com pour des informations sur le distributeur.

INTRODUCTION

Le Vicair Adjuster O2 est un coussin d'assise de fauteuil roulant offrant un niveau très élevé de protection de la peau aux personnes présentant un fort risque de développer des blessures de pression. Il s'agit aussi d'un ajout de haute performance à un plan de traitement des blessures de pression (stades I-IV). Le coussin Vicair Adjuster O2 est lavable en machine sans enlever les SmartCells !

INDICATIONS

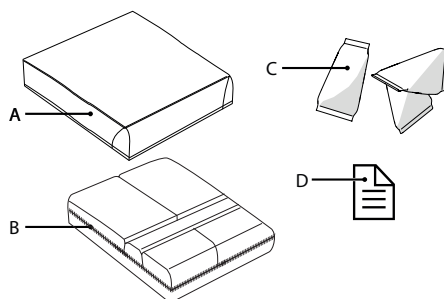
Il est utilisé pour améliorer la posture corporelle des personnes asymétriques, pour prévenir les lésions de pression ainsi que pour fournir confort et soutien corporel stable.

C'est aussi un excellent complément à intégrer dans un protocole de soin d'escarres (stades I-IV).

CONTRE-INDICATIONS

Lorsqu'il est utilisé dans les conditions prévues, il n'existe aucune contre-indication connue.

COMPOSANTS PRINCIPAUX



- A. Housse de coussin
- B. Coussin
- C. SmartCells™
- D. Guide d'installation rapide

SPÉCIFICATIONS PRODUIT GÉNÉRALES

Nom du produit :	Vicair Adjuster O2
Fabriqué par :	Vicair B.V., Pays-Bas
Garantie :	24 mois

Poids (sans housse) :	Plus petite taille: 0,5 kg / 1.1 lbs Moyenne taille: 0,8 kg / 1.8 lbs Plus grand taille: 1 kg / 2,2 lbs
Tailles disponibles :	Voir la liste à l'arrière du manuel.
Matériaux utilisés :	Sans latex
Coussin :	Tissu polyester avec revêtement polyuréthane, avec un fond en tissu maille polyester
Remplissage :	SmartCells remplies d'air avec revêtement faible friction
Housse de coussin O2 Top Cover :	Haut : Tissu polyester tricoté. Bord inférieur : Tissu polyester avec revêtement anti-dérapant en polyuréthane.

Housses de coussin alternatives :

Comfair Cover : Haut : Tissu polyester tricoté.

Côtés : Tissu 3D polyester maillé. Bas : Tissu polyester avec revêtement anti-dérapant en polyuréthane.

Incotec Coveret Reversible Cover : Haut : Tissu polyester tricoté, enduit de polyuréthane perméable à l'air et résistant aux fluides. Bas : Tissu polyester avec revêtement anti-dérapant en polyuréthane.

Toutes les housses sont lavables en machine et conformes aux normes EN1021-1, 1021-2 et CAL117.

MISES EN GARDE ET CONSIGNES DE SÉCURITÉ

Un coussin d'assise pour fauteuil roulant Vicair ne peut être utilisé que comme coussin d'assise de fauteuil roulant. L'utilisation de ce produit de toute autre manière est considérée comme abusive. Vicair B.V. ne peut être tenu responsable de dommages causés par une mauvaise utilisation, une utilisation incorrecte ou une négligence. Assurez-vous de lire et comprendre intégralement ce manuel.

Avvertissement ! Vicair B.V. recommande d'installer le Vicair Adjuster O2 sous la supervision directe d'un thérapeute ou d'un professionnel de la technologie d'assistance.

Avvertissement ! Votre coccyx et vos os pelviens ne doivent pas toucher le fond du coussin. Une vérification pour éviter tout talonnement doit être effectuée lors de la première utilisation et après ajustements du remplissage du coussin.

Avvertissement ! Examinez votre peau régulièrement pour voir s'il y a des rougeurs, surtout durant les premiers jours. Si des rougeurs apparaissent et ne disparaissent pas sous 15 minutes, consultez votre thérapeute ou professionnel de la technologie d'assistance.

Avvertissement ! Vicair B.V. recommande d'ajuster le niveau de remplissage sous la supervision directe de votre thérapeute ou professionnel de la technologie d'assistance.

Avvertissement ! En cas de salissure avec des liquides organiques et lors du transfert du produit à un autre utilisateur, le produit doit être désinfecté afin d'éviter toute contamination croisée.

Avvertissement ! Sous trois mois, vérifier l'usure et s'il y a d'éventuelles cellules dégonflées. En cas de dommage grave ou de nombre important de cellules dégonflées, consultez votre professionnel de la technologie d'assistance.

Attention ! Ne pas utiliser le produit ou le laisser à proximité d'une flamme ou d'une source de chaleur à haute température.

Attention ! Ne pas nettoyer le produit à la vapeur ou à l'autoclave. Le produit ne peut pas résister à une chaleur ou une pression excessive. Lorsque les instructions de nettoyage données ne sont pas suivies, il est très probable que le produit et/ou la housse du produit vieillisse plus rapidement.

Attention ! Ne pas utiliser de nettoyeurs agressifs ou abrasifs ou des objets pointus pour nettoyer le coussin.

Attention ! Ne pas placer le dessus du coussin Vicair contre le verre de la porte du lave-linge.

Attention ! Assurez-vous que le coussin ne puisse pas interférer avec les rayons de la roue.

Attention ! Un lavage excessif peut influencer le vieillissement de ce produit.

Remarque ! Le degré de remplissage peut légèrement différer de la valeur par défaut (voir l'étiquette du produit).

INSTALLATION

Avertissement ! Vicair B.V. recommande d'installer le Vicair Adjuster O2 sous la supervision directe d'un thérapeute ou d'un professionnel de la technologie d'assistance.

Attention ! Assurez-vous que le coussin ne puisse pas interférer avec les rayons de la roue.

Remarque ! Toujours utiliser le coussin avec une housse.

Remarque ! Assurez-vous que le siège du fauteuil roulant soit propre et dégraissé.

Conseil : Si vous préférez ne pas utiliser la fermeture autoagrippante, vous pouvez enlever les bandes autoagrippantes. Notez que les bandes confectionnées au fond du coussin ne peuvent pas être enlevées.

Effectuez les étapes suivantes lors de l'utilisation de la housse de coussin O2 Top Cover

Ces étapes correspondent aux images d'installation 1 - 6 du Quick Installation Guide :

- Vérifiez la taille du coussin. La largeur (X) du coussin et celle du siège doivent correspondre. Si le coussin repose sur des accoudoirs ou des protections latérales, la largeur peut aller jusqu'à 2,5 cm (1") de plus. La profondeur (Y) du coussin et celle du siège doivent correspondre.
- Vérifiez si la taille de la housse correspond à la taille du coussin.
- Enlevez le ruban de protection des bandes autoagrippantes autoadhésives attachées à le coussin.
- Posez le coussin en appuyant fermement.
- Placez la housse de coussin O2 Top Cover sur le dessus du coussin.
- Passer la boucle située à l'arrière du coussin à travers l'oeillet situé à l'arrière de la housse.
- Asseyez-vous sur le coussin pendant quelques minutes pour permettre au coussin de s'adapter à la votre morphologie.
- Si nécessaire, ajustez le(s) repose-pieds.

Housse de coussin alternative

Effectuez les opérations suivantes lors de l'utilisation des Comfair Cover, Incotec Cover ou Reversible Cover.

Veuillez noter : La Reversible Cover est livrée avec le côté perméable à l'air à l'extérieur. Si vous souhaitez utiliser le côté résistant aux liquides de cette housse : commencez par ouvrir la fermeture à glissière de la partie supérieure de la housse, puis retournez la section supérieure et fermez-la sur la section inférieure.

- Vérifiez la taille du coussin. La largeur (X) du coussin et celle du siège doivent correspondre. Si le coussin repose sur des

- accoudoirs ou des protections latérales, la largeur peut aller jusqu'à 2,5 cm (1") de plus. La profondeur (Y) du coussin et celle du siège doivent correspondre.
- Vérifiez si la taille de la housse correspond à la taille du coussin.
 - Enlevez les bandes autoagrippantes du bas du coussin. Notez que les bandes confectionnées au fond du coussin ne peuvent pas être enlevées.
 - Insérez le coussin dans la housse.
 - Passez la boucle à travers l'œillet de la housse.
 - Fermez la fermeture à glissière. Assurez-vous de ne pas endommager le coussin.
 - Enlevez le ruban de protection des bandes autoagrippantes autoadhésives attachées à la housse du coussin.
 - Posez le coussin en appuyant fermement.
 - Asseyez-vous sur le coussin pendant quelques minutes pour permettre au coussin de s'adapter à la votre morphologie.
 - Si nécessaire, ajustez le(s) repose-pieds.

Vérification du talonnement :

Image 7 - Quick Installation Guide

Avertissement ! Votre coccyx et vos os pelviens ne doivent pas toucher le fond du coussin. Une vérification pour éviter tout talonnement doit être effectuée lors de la première utilisation et après ajustements du remplissage du coussin.

Avertissement ! Vicair B.V. recommande d'ajuster le niveau de remplissage sous la supervision directe de votre thérapeute ou professionnel de la technologie d'assistance.

- Vérifiez le risque talonnement après être resté assis sur le coussin pendant environ 5 minutes.
- Laissez votre thérapeute ou professionnel de la technologie d'assistance glisser une main entre votre postérieur et le coussin Vicair tout en vous penchant en avant.

- Demandez à votre thérapeute ou professionnel de la technologie d'assistance de vérifier si vos proéminences osseuses les plus basses sont soutenues par au moins 2,5 cm / 1" de SmartCells. Cela les empêche de toucher le siège du fauteuil roulant.
- Ne pas utiliser le coussin si vous constatez un talonnement. Dans la plupart des cas, l'ajustement du remplissage des compartiments résout le problème.

UTILISATION

Vérifier si des rougeurs apparaissent sur la peau

Image 8 - Quick Installation Guide

Avertissement ! Examinez votre peau régulièrement pour voir s'il y a des rougeurs, surtout durant les premiers jours. Si des rougeurs apparaissent et ne disparaissent pas sous 15 minutes, consultez votre thérapeute ou professionnel de la technologie d'assistance.

Ajustement du niveau de remplissage

Avertissement ! Vicair B.V. recommande d'ajuster le niveau de remplissage sous la supervision directe de votre thérapeute ou professionnel de la technologie d'assistance.

Prêt à l'emploi

Ce produit Vicair est prêt à l'emploi. Il dispose d'un taux de remplissage unique, selon la taille et le modèle. Cependant, si cela s'avère nécessaire le niveau de remplissage peut être ajusté en enlevant ou en ajoutant des SmartCells dans les différents compartiments. Vous pouvez trouver la configuration initiale pour le remplissage sur l'étiquette apposée sur le coussin.

Conditions d'utilisation et de stockage

Attention ! Ne pas utiliser le produit ou le laisser à proximité d'une flamme ou d'une source de chaleur à haute température.

- **Poids de l'utilisateur :**

Minimum : 15 kg / 33 lb,
maximum : 250 kg / 551 lbs

- **Température :**

Minimum : -20 °C / 4 °F,
maximum : 55 °C / 131 °F

- **Usage à haute altitude**

Remarque ! Vicair B.V. recommande de ne pas utiliser le coussin à une altitude supérieure à 2400 m (8000 pieds) au-dessus du niveau de la mer ou inférieure à 50 m (164 pieds) en dessous du niveau de la mer. Étant donné que chaque SmartCell est remplie d'air, le coussin peut se comporter différemment lorsqu'il est utilisé à haute altitude ou dans un avion. Dans ce cas, la fermeté du coussin peut être ajustée en enlevant quelques cellules de chaque compartiment.

- **Humidité atmosphérique :**

Minimum : 0 %, maximum 100 %

Redonner du gonflant quotidiennement

Vicair B.V. vous recommande de redonner du gonflant à votre Vicair coussin avant de l'utiliser au quotidien.

Réutilisation - Transfert du produit à un autre utilisateur

Dans la mesure du possible, transférez-vous hors du fauteuil roulant dans un siège de véhicule installé par le constructeur automobile sans le coussin, et utilisez le système de retenue des occupants du véhicule qui a fait l'objet de tests de collision.

Comme alternative pour votre coussin pour fauteuil roulant Vicair, le Vicair Allrounder O2 (qui peut être attaché au corps de l'utilisateur) peut être utilisé si vous avez besoin d'une

protection supplémentaire dans un siège de véhicule installé par le constructeur automobile pendant le transport.

Lorsque le fauteuil roulant est utilisé comme siège de véhicule, les règles et réglementations applicables concernant la sécurisation du fauteuil roulant et de l'utilisateur du fauteuil roulant pendant le transport doivent être respectées.

Il n'existe aucune donnée disponibles relatives à l'influence sur la sécurité de l'utilisation d'un coussin pour fauteuil roulant Vicair dans un fauteuil roulant soumis à des tests de collision.

Réutilisation - Transfert du produit à un autre utilisateur

Le produit convient pour un usage répété. Le nombre de fois où il peut être utilisé dépend de la fréquence et de la manière dont le produit est utilisé. Le produit doit être soigneusement nettoyé et désinfecté avant qu'une autre personne ne soit autorisée à l'utiliser. Pour les instructions, voir le chapitre « Maintenance et nettoyage ».

Remarque ! Assurez-vous que le produit soit correctement ajusté pour le nouvel utilisateur.

Durée de vie attendue

La durée de vie attendue de ce produit est de cinq ans lorsqu'il est utilisé conformément aux consignes de sécurité, aux intervalles d'entretien et à une utilisation correcte, indiqués dans le présent manuel.

La durée de vie effective peut varier en fonction de la fréquence et de l'intensité d'utilisation.

Remplacement de la housse du coussin

En utilisation normale, Vicair B.V. recommande de remplacer la housse du coussin chaque année. Des housses de rechange peuvent être achetées séparément.

Traitement des déchets

Le traitement et le recyclage des produits usages et leur emballage doivent être conformes à la législation en vigueur. Assurez-vous que le produit a été préalablement nettoyé avant de le jeter afin d'éviter tout risque de contamination.

MAINTENANCE ET NETTOYAGE

Avertissement ! Sous trois mois, vérifier l'usure et s'il y a d'éventuelles cellules dégonflées. En cas de dommage grave ou de nombre important de cellules dégonflées, consultez votre professionnel de la technologie d'assistance.

Attention ! Ne pas nettoyer le produit à la vapeur ou à l'autoclave. Il ne peut pas résister à une chaleur ou une pression excessive. Lorsque les instructions de nettoyage données ne sont pas suivies, il est très probable que le produit vieillisse plus rapidement.

Attention ! Ne pas utiliser de nettoyeurs agressifs ou abrasifs ou des objets pointus pour nettoyer le coussin.

Attention ! Ne pas placer le dessus du coussin Vicair O2 contre le verre de la porte du lave-linge.

Attention ! Un lavage excessif peut influencer le vieillissement de ce produit.

Nettoyage du Vicair Adjuster O2

- **Nettoyage de la housse du Vicair Adjuster O2**

La housse du coussin peut être lavée en machine. Suivez les instructions de lavage sur l'étiquette apposée à l'intérieur de la housse. (60 °C= 140 °F)



- **Nettoyage du coussin Vicair Adjuster O2**

Votre coussin Vicair O2 peut être lavé en machine à 60°C/140°F en utilisant un cycle anti-froissage et une lessive douce. Vous n'avez pas besoin d'enlever les SmartCells avant de mettre le coussin dans le lave-linge. Assurez-vous que le dessus du coussin ne soit pas placé contre le verre de la porte du lave-linge. Ne pas charger la machine avec plus de la moitié de son poids de charge maximal. La vitesse d'essorage doit être réduite. Lors de l'utilisation d'une machine avec agitateur, assurez-vous que le coussin puisse bouger librement dans le tambour. Ne pas utiliser d'eau de javel et ne pas nettoyer à sec ! Ne pas sécher votre coussin Vicair O2 au secheringe, mais laissez-le sécher à l'air. Vous pouvez utiliser le harnais pour accrocher votre coussin Vicair O2 afin qu'il sèche.



Désinfection de votre Vicair Adjuster O2

Avertissement ! En cas de salissure avec des liquides corporels, et en transférant le produit à un autre utilisateur, le produit doit être désinfecté pour éviter toute contamination croisée. Nettoyez le coussin et la housse comme indiqué ci-dessus. Utilisez de préférence un détergent antibactérien. Après le nettoyage, pulvérisez un désinfectant sur votre coussin et la housse. Pliez les compartiments vers l'extérieur pour vous assurer que la pulvérisation pénètre dans les interstices.

SIGNALEMENT D'INCIDENTS GRAVES

Les incidents graves liés à l'utilisation des produits Vicair doivent être signalés au fabricant et à l'autorité compétente concernée.

GARANTIE

Pour obtenir les informations complètes sur les processus et conditions de garantie, veuillez consulter notre site www.vicair.com.

Vicair B.V. offre une garantie limitée contre les défauts de fabrication et de matériaux à condition que le produit ait fait l'objet d'une utilisation normale. Tout dommage résultant d'une utilisation anormale ou causé par une mauvaise manipulation, un problème de nettoyage ou une négligence, est exclu de cette garantie.

Période de garantie

À partir de la date d'achat d'origine : 24 mois.

Les SmartCells de ce coussin Vicair O2 bénéficient d'une garantie à vie.

Si un défaut de matériaux ou de fabrication se produit dans la période de garantie susmentionnée, Vicair B.V. réparera ou remplacera le produit gratuitement à sa discrétion. La housse du coussin est exclue de cette garantie. Les recours en cas de violation des garanties expresses aux présentes sont limités à la réparation ou au remplacement du produit.

En aucun cas des dommages-intérêts pour violation de toute garantie n'incluent des dommages indirects ou ne dépassent le coût des marchandises non conformes vendues.

Vous avez des questions ?

Contactez Vicair B.V. via info@vicair.com ou contactez le distributeur Vicair de votre pays.

Kære kunde,

Tak for dit valg af et Vicair®-produkt. Vi er sikker på, at du vil sætte pris på enkelheden, pålideligheden og den fantastiske effekt. Du kan bruge vejledningen til hurtig installation, der fulgte med din pude. Derudover bør du læse og forstå denne brugervejledning inden brug. Gem både hurtig-installationsvejledningen og denne vejledning til fremtidig brug.

Kontakt forhandleren i dit land for yderligere oplysninger eller for at (gen-)bestille vejledninger.

Gå ind på vicair.com for oplysninger om forhandlere.

INTRODUKTION

Vicair Adjuster O2 er en sædepude til kørestole, der giver et meget højt niveau af hudbeskyttelse til personer med høj risiko for at udvikle trykskader. Det er også et højtydende supplement til en behandlingsplan for trykskader (stadie I-IV). Vicair Adjuster O2-puden kan maskinvaskes uden at fjerne nogen SmartCells!

INDIKATIONER

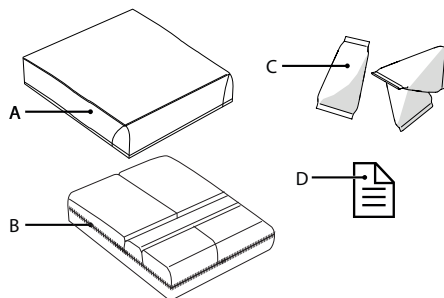
Det bruges til at forbedre kropsholdningen hos asymmetriske personer, for at forhindre trykskader og til at give komfortabel og stabil kropsstøtte.

Den er også et højtydende tillæg til en behandlingsplan for tryksår (fase I-IV).

KONTRAINDIKATIONER

Når puden anvendes til det, den er beregnet til, er der ingen kendte kontraindikationer.

HOVEDBESTANDDELE



- A. Pudebetræk
- B. Pude
- C. SmartCells™
- D. Vejledning til hurtig installation

GENERELLE PRODUKTSPECIFIKATIONER

Produktnavn:	Vicair Adjuster O2
Fremstillet af:	Vicair B.V., Holland
Garanti:	24 måneder
Vægt (ekskl. betræk):	Mindste størrelse: 0,5 kg / 1.1 lbs Medium størrelse: 0,8 kg / 1.8 lbs Største størrelse: 1 kg / 2,2 lbs
Tilgængelige størrelser:	Se gitteret bagest i vejledningen
Anvendte materialer:	Alle fri for latex
Pude:	Top lavet af polyesterstof med polyurethan-lag, bund af polyesterstof

Fyld:	Luftfyldte SmartCells med lavfriktionsovertræk
O2 Top Cover-pudebetræk:	Top: Strikket polyesterstof. Bundkant: Polyesterstof med skridsikkert polyurethanovertræk.

Alternative pudebetræk:

Comfair Cover pudebetræk: Top: Strikket polyesterstof. Sider: Polyester 3D-netstof. Bund: Polyesterstof med skridsikkert polyurethanovertræk.

Incotec Cover pudebetræk & Reversible Cover pudebetræk: Top: Strikket polyesterstof, dækket med væskeafvisende og åndbar polyurethan. Bund: Polyesterstof med skridsikkert polyurethanovertræk.

Alle betræk: Kan maskinvaskes. Betræk er i overensstemmelse med EN1021-1, 1021-2 og CAL117.

FORANSTALTNINGER OG SIKKERHEDSANVISNINGER

En Vicair-kørestolspude må kun bruges som kørestolspude. Enhver anden brug af dette produkt vil blive anset for at være misbrug. Vicair B.V. kan ikke holdes ansvarlig for skader forårsaget af misbrug, forkert brug eller forsømmelighed. Sørg for at læse og forstå denne vejledning fuldstændigt.

Advarsel! Vicair B.V. anbefaler at installere Vicair Adjuster O2 under direkte supervision af en terapeut eller en hjælpemiddelkonsulent.
Advarsel! Dit haleben og dine hofteben bør ikke røre pudens bund. Under første brug og efter justeringer af pudefyldet bør det kontrolleres, hvis bunden nås.

Advarsel! Kontrollér regelmæssigt huden for rødme, især i løbet af de første par dage. Hvis der opstår rødme og den ikke forsvinder efter

15 minutter, kontakt din terapeut eller hjælpemiddelspecialist.

Advarsel! Vicair B.V. anbefaler justering af fyldningsgraden under direkte opsyn af din terapeut eller hjælpemiddelspecialist.

Advarsel! I tilfælde af, at hynden bliver beskidt af kropsvæsker, og når produktet overføres til en anden bruger, skal produktet desinficeres for at undgå krydskontaminering.

Advarsel! Hver tredje måned skal produktet ses efter for slid og flade celler. I tilfælde af alvorlig skade eller et stort antal flade celler må produktet ikke længere bruges. Konsulter din terapeut eller specialist.

Forsigtig! Undlad at bruge eller lade produktet ligge tæt på åben ild eller en varmekilde med høj temperatur.

Forsigtig! Undlad at damprense eller autoklavere produktet. Produktet kan ikke modstå for megen varme eller for meget tryk. Såfremt de givne rengøringsanvisninger ikke følges, er det meget sandsynligt, at produktet og/eller produktets betræk ældes hurtigere.

Forsigtig! Brug ikke ætsende eller slibende rengøringsmidler eller skarpe genstande til at rengøre puden.

Forsigtig! Anbring ikke oversiden af Vicair-puden mod glasset i vaskemaskinens dør.

Forsigtig! Sørg for, at puden ikke kan komme ind i hjulegerne.

Forsigtig! Overdreven vask kan have indflydelse på dette produkts aldring.

Bemærk! Fyldmængden kan afvige en smule fra standard (se produktetiketten).

INSTALLATION

Advarsel! Vicair B.V. anbefaler at installere Vicair Adjuster O2 under direkte supervision af en terapeut eller en hjælpemiddelkonsulent.

Forsigtig! Sørg for, at puden ikke kan komme ind i hjulegerne.

Bemærk! Brug altid puden med betrækket på.

Bemærk! Sørg for, at køresto-sædet er rent og uden fedt.

Tip: Når du foretrækker ikke at bruge hægte og løkke, kan du fjerne hægestrimlerne. Bemærk: De strimler, som er indfabrikeret i pudens bund, kan ikke fjernes.

Udfør følgende, når du bruger O2 Top Cover-pudebetrækket

Disse trin svarer til installationsbillederne 1 – 6 i vejledningen til hurtig installation:

- Se pudestørrelsen efter. Bredden (X) af puden og sædet bør stemme overens. Når puden hviler mod armstøtterne eller sidestykkerne, må bredden være op til 2,5 cm (1") bredere. Dybden (Y) af puden og sædet bør stemme overens.
- Se efter, om betrækkets størrelse stemmer overens med pudens størrelse.
- Fjern den beskyttende bagbeklædningstape fra de selvklæbende hægestrimler, som er fastgjort til pudens bund.
- Anbring puden ved at trykke den fast.
- Anbring O2-topstykket oven på puden.
- Før stroppen på bagsiden af puden gennem 'knaphullet' på bagsiden af betrækket.
- Sid på puden i nogle få minutter, så den kan tilpasse sig din kropsform.
- Juster om nødvendigt fodstøtte(r).

Alternativt hyndecover

Udfør følgende trin, når du bruger Comfair Cover pudebetræk, Incotec Cover pudebetræk eller Reversible Cover pudebetræk. Bemærk venligst: Reversible Cover pudebetræk leveres med den kølige åndbare side på ydersiden. Hvis du skal bruge den væskeafvisende side af dette betræk: Lyn først den øverste del af betrækket helt op fra den nederste del, vend den øverste del på vrangen, og lyn igen til den nederste del.

- Se pudestørrelsen efter. Bredden (X) af puden og sædet bør stemme overens. Når

puden hviler mod armstøtterne eller sidestykkerne, må bredden være op til 2,5 cm (1") bredere. Dybden (Y) af puden og sædet bør stemme overens.

- Se efter, om betrækkets størrelse stemmer overens med pudens størrelse.
- Fjern hægestrimlerne fra pudens bund. Bemærk: De strimler, som er indfabrikeret i pudens bund, kan ikke fjernes.
- Indsæt puden i betrækket.
- Før stroppen gennem øjet i betrækket.
- Luk lynlåsen. Sørg for ikke at beskadige puden.
- Fjern den beskyttende bagbeklædningstape fra de selvklæbende hægestrimler, der sidder fast på pudebetrækket.
- Anbring puden ved at trykke den fast.
- Sid på puden i nogle få minutter, så den kan tilpasse sig din kropsform.
- Juster om nødvendigt fodstøtte(r).

Kontrol, om bunden nås:

Billede 7 - Quick Installation Guide

Advarsel! Dit haleben og dine hofteben bør ikke røre pudens bund. Under første brug og efter justeringer af pudedyldet bør det kontrolleres, hvis bunden nås.

Advarsel! Vicair B.V. anbefaler justering af fyldningsgraden under direkte opsyn af din terapeut eller hjælpemiddelspecialist.

- Se efter, om bunden nås, når du har siddet på puden i ca. 5 minutter.
- Lad din terapeut eller hjælpemiddelspecialist glide en hånd mellem dine balder og Vicair-puden, mens du læner dig fremad.
- Bed din terapeut eller hjælpemiddelspecialist kontrollere, om dine laveste knoglefremspring understøttes af mindst 2,5 cm / 1" SmartCells™. Dette forhindrer disse i at berøre kørestolens sæde.

- Brug ikke puden, hvis bunden nås. I de fleste tilfælde vil det løse problemet at justere inddelingsrummenes fyldningsgrad.

BRUG

Se efter rødmen af huden

Billede 8 - Quick Installation Guide

Advarsel! Kontrollér regelmæssigt huden for rødme, især i løbet af de første par dage. Hvis der opstår rødme og den ikke forsvinder efter 15 minutter, kontakt din terapeut eller hjælpemiddelspecialist.

Justering af fyldningsgraden

Advarsel! Vicair B.V. anbefaler justering af fyldningsgraden under direkte opsyn af din terapeut eller hjælpemiddelspecialist.

Klar til brug

Dette Vicair-produkt er klar til brug. Det har sin egen unikke fyldningsgrad, afhængig af størrelse og model. Om nødvendigt kan fyldningsgraden dog justeres ved at fjerne eller tilføje SmartCells fra/til de forskellige inddelingsrum. Du kan finde standardfyldningsgraden på mærkatet, der er fastgjort på puden.

Betingelser for brug og opbevaring

Forsigtig! Undlad at bruge eller lade produktet ligge tæt på åben ild eller en varmekilde med høj temperatur.

- **Brugervægt:**
Minimum: 15 kg / 33 lbs,
maksimum: 250 kg / 551 lbs
- **Temperatur:**
Minimum: -20 °C / 4 °F,
maksimum: 55 °C / 131 °F
- **Brug ved store højdegrader**
Bemærk! Vicair B.V. anbefaler, at puden ikke bruges mere end 2400 m (8000 fod) over havet eller 50 m (164 fod) under havniveau.

Da hver SmartCell er fyldt med luft, vil puden muligvis være påvirket, når den bruges ved store højder eller i et fly. Under sådanne forhold kan pudens hårdhed justeres ved at fjerne nogle få celler fra hvert inddelingsrum.

- **Luftfugtighed:**

Minimum: 0 %, maksimum 100 %

Daglig rystning

Vicair B.V. anbefaler, at din Vicair-pude rystes inden brug hver dag.

Brug af Vicair-sædepuder i motorkøretøjer

Når det er muligt, flyt ud af kørestolen og ind i et bilsæde installeret af en bilproducent uden puden og bruge køretøjets kollisionsstede sikkerhedssystem for passagerer.

Som alternativ til din Vicair kørestolspude kan Vicair Allrounder O2 (som kan fastgøres til brugerens krop) bruges, hvis der er brug for yderligere beskyttelse i et producentinstalleret bilsæde under transport.

Når kørestolen anvendes som bilsæde, skal man følge gældende regler og bestemmelser for sikring af kørestolen og kørestolsbruger under transport.

Der foreligger ingen data om indflydelsen på sikkerheden ved en Vicair kørestolspude, der anvendes i en crash-testet kørestol.

Genbrug - Overdragelse af produktet til en anden bruger

Produktet er velegnet til gentagen brug. Det antal gange, det kan bruges, afhænger af, hvor tit og på hvilken måde produktet anvendes. Produktet skal rengøres og desinficeres grundigt, inden en anden person må bruge det. Se kapitlet "Vedligeholdelse og rengøring" for anvisninger.

Bemærk! Sørg for, at produktet er justeret korrekt til den anden person.

Forventet levetid

Produktets forventede levetid er fem år, når det anvendes i overensstemmelse med sikkerhedsinstruktioner, vedligeholdelsesintervaller og korrekt brug, som er anført i denne vejledning. Produktets effektive levetid kan variere alt efter hyppighed og intensitet i forindelse med brugen.

Udskiftning af pudebetrækket

Under normal brug anbefaler Vicair B.V., at pudebetrækket udskiftes hvert år. Betræk til udskiftning kan købes separat.

Bortskaffelse

Bortskaffelsen og genbrug af brugte enheder og emballage skal overholde de gældende bestemmelser. Sørg for, at produktet bliver rengjort inden bortskaffelse, for at undgå risiko for kontaminering.

VEDLIGEHOLDELSE OG RENGØRING

Advarsel! Hver tredje måned skal produktet ses efter for slid og flade celler. I tilfælde af alvorlig skade eller et stort antal flade celler må produktet ikke længere bruges. Konsulter din terapeut eller specialist.

Forsigtig! Undlad at damprease eller autoklavere produktet. Det kan ikke modstå ekstrem varme eller stærkt tryk. Når de angivne rengøringsanvisninger ikke følges, er det højst sandsynligt, at produktet ældes hurtigere.

Forsigtig! Brug ikke ætsende eller slibende rengøringsmidler eller skarpe genstande til at rengøre puden.

Forsigtig! Anbring ikke oversiden af Vicair O2-puden mod glasset i vaskemaskinens dør.

Forsigtig! Overdreven vask kan have indflydelse på dette produkts aldring.

Rengøring af Vicair Adjuster O2

• Rengøring af betrækket til Vicair Adjuster O2

Pudebetrækket kan vaskes i maskine. Følg vaskeanvisningerne på mærkatet, der er fastgjort på betrækkets inderside. (60 °C = 140 °F)



• Rengøring af Vicair Adjuster O2-puden

Din Vicair O2 pude kan vaskes i vaskemaskine ved 60°C / 140 °F med et antirør-program og et mildt vaskemiddel. Det er ikke nødvendigt at fjerne SmartCells, inden du lægger puden i vaskemaskinen. Sørg for, at oversiden af puden ikke er placeret mod glasset i vaskemaskinens dør. Læg ikke mere end halvdelen af maskinens maksimale lastvægt i maskinen.

Centrifugeringshastigheden bør reduceres. Når du bruger en maskine med omrører, skal du sørge for, at puden kan bevæge sig frit i tromlen. Brug ikke noget klorblegemiddel, og send den ikke til rensning! Læg ikke din Vicair O2-pude i tørretumbleren; lad den lufttørre. Du kan bruge stroppen til at hænge din Vicair O2-pude til tørre.



Desinfektion af din Vicair Adjuster O2

Advarsel! Hvis produktet skulle blive tilnavset af kropsvæsker, og når det gives videre til en anden bruger, skal det desinficeres for at undgå smitte. Rengør puden og betrækket som anvist ovenfor. Der bør helst bruges et antibakterielt vaskemiddel. Når den er blevet rengjort, bør du sprøjte desinficerende middel på din pude og dit betræk. Bøj inddelingsrummene udad for at sikre, at sprayen kommer ind i mellemrummene.

RAPPORTERING AF ALVORLIGE ULYKKER

Alvorlige hændelser som følge af brug af Vicair-produkter, skal rapporteres til fabrikanten og den relevante kompetente myndighed.

GARANTI

Se www.vicair.com for udførlige oplysninger om garantiprocesser, betingelser og vilkår.

Vicair B.V. tilbyder en begrænset garanti mod fejl i udførelse og materialer, såfremt produktet er blevet anvendt normalt. Enhver skade, der måtte opstå under unormal brug, eller som forårsages af forkert håndtering og rengøring eller forsømmelse, er ikke dækket af denne garanti.

Garantiperiode

Fra den originale købsdato: 24 måneder.

De SmartCells, der er i denne Vicair O2-pude, har en livslang garantiperiode.

Hvis der skulle opstå en fejl i materialer eller udførelse inden for den ovennævnte garantiperiode, vil Vicair B.V. – efter eget valg – reparere eller udskifte produktet gratis. Pudebetrækket er ikke omfattet af denne garanti. Afhjælpning af brud på udtrykkelige garantier heri er begrænset til reparation eller udskiftning af produktet.

Under ingen omstændigheder skal erstatning for brud på nogen som helst garanti omfatte nogen form for følgeskader eller overstige omkostningerne for mangelfulde solgte varer.

Har du spørgsmål?

Kontakt Vicair B.V. på info@vicair.com eller kontakt Vicair-forhandleren i dit land.

Bästa kund,

tack för att du har valt en produkt från Vicair®. Vi är övertygade om att du kommer att uppskatta produktens enkelhet, pålitlighet och enastående egenskaper. För snabb installation av dynan kan du använda dig av den medföljande snabbinstallationsguiden. Se även till att läsa och förstå denna bruksanvisning innan produkten tas i bruk. Spara både snabbinstallationsguiden och denna bruksanvisning för framtida referens.

Kontakta återförsäljaren i ditt land för mer information eller beställning av bruksanvisningar. Besök vicair.com för information om återförsäljare.

INTRODUKTION

Vicair Adjuster O2 är en sittedyna för rullstolar som ger mycket hög grad av hudskydd för personer med hög risk att utveckla trycksår. Den kan också ingå som ett kvalitetstillbehör i en behandlingsplan för trycksår (steg I–IV). Vicair Adjuster O2-sittedynan kan maskintvättas utan att SmartCells behöver avlägsnas!

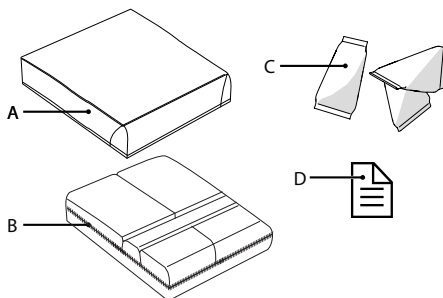
INDIKATIONER

Sittedynan används för att förbättra kroppshållningen hos personer med kroppslig asymmetri. Den förebygger trycksår och ger ett bekvämt och stabilt kroppsstöd. Den kan ingå som ett kvalitetstillbehör i en behandlingsplan för trycksår (steg I–IV).

KONTRAIKATIONER

När den används som avsett finns det inga kända kontrindikationer.

HUVUDKOMPONENTER



- A. Dynöverdrag
- B. Dyna
- C. SmartCells™
- D. Snabbinstallationsguide

ALLMÄNNA PRODUKTSPECIFIKATIONER

Produktnamn:	Vicair Adjuster O2
Tillverkad av:	Vicair B.V., Nederländerna
Garanti:	24 månader
Vikt (utan överdrag):	Minsta storlek: 0,5 kg / 1,1 lbs Mellanstorlek: 0,8 kg / 1.8 lbs Största storlek: 1 kg / 2,2 lbs
Tillgängliga storlekar:	Se tabellen på bruksanvisningens baksida
Material:	Endast latexfria
Dyna:	Översida gjord av polyestertyg med polyuretanbeläggning, undersida av polyesternättyg

Fyllning:	Luftfyllda SmartCells med lågfriktionsyta
Dynöverdrag O2 Top Cover:	Ovansida: stickat polyestertyg. Nedre kant: polyestertyg med halkfri polyuretanbeläggning.

Alternativa dynöverdrag:

Dynöverdrag Comfair Cover: Ovansida: stickat polyestertyg. Sidor: 3D-polyestertyg med nätmaskor. Undersida: polyestertyg med halkfri polyuretanbeläggning.

Dynöverdragen Incotec Cover och Reversible Cover: Ovansida: stickat polyestertyg, belagt med vätskeresistent andningsaktivt polyuretan. Undersida: polyestertyg med halkfri polyuretanbeläggning.

Alla överdrag tål maskintvätt. Överdragen uppfyller kraven i EN1021-1, 1021-2 och CAL117.

FÖRSIKTIGHETSÅTGÄRDER OCH SÄKERHETSANVISNINGAR

En Vicair-sittdyna för rullstol får endast användas som sittdyna för rullstol. All annan användning av denna produkt anses vara felaktig. Vicair B.V. kan inte hållas ansvarigt för skador som uppstår till följd av felaktig användning, icke avsedd användning eller vårdslöshet. Se till att hela denna bruksanvisning har lästs och förstås.

Varning! Vicair B.V. rekommenderar att montera Vicair Adjuster O2 under direkt övervakning av en terapeut eller hjälpmedelskonsulent.

Varning! Svanskotan och bäckenbenet får inte vidröra dynans botten ("bottoming out"). Kontroll att så inte sker ska utföras i samband med första användningen och efter justeringar av dynans fyllning.

Varning! Kontrollera regelbundet huden avseende rodnad, särskilt under de första dagarna. Rådfråga ansvarig terapeut eller hjälpmedelskonsulent om rodnad som uppstår inte försvinner inom 15 minuter.

Varning! Vicair B.V. rekommenderar att justering av fyllnadsgraden sker under direkt överinseende av en terapeut eller en hjälpmedelskonsulent.

Varning! Om produkten smutas ner med kroppsvätskor och när den överförs till en annan användare måste den desinficeras för att undvika korskontaminering.

Varning! Kontrollera produkten avseende slitage och tömda luftkuddar var tredje månad. Fortsätt inte att använda produkten om den är allvarligt skadad eller ett stort antal luftkuddar är tömda. Rådfråga en hjälpmedelskonsulent.

Försiktighet! Använd eller förvara inte produkten nära öppen eld eller värmekälla som avger hög temperatur.

Försiktighet! Ångrengör eller autoklavera inte produkten. Produkten tål inte stark värme eller högt tryck. Om angivna rengöringsanvisningar inte följs kommer livslängden för produkten och/eller produktens överdrag med stor sannolikhet att förkortas.

Försiktighet! Använd inte aggressiva eller slipande rengöringsmedel eller vassa föremål för att rengöra dynan.

Försiktighet! Placera inte Vicair-dynans ovansida mot glaset på tvättmaskinens lucka.

Försiktighet! Säkerställ att dynan inte kan komma i kontakt med drivhjulens ekrar.

Försiktighet! Överdriven tvätt kan påverka produktens åldrande.

Observera! Påfyllningsgraden kan variera något från standardmängden (se produktetiketten).

INSTALLATION

Varning! Vicair B.V. rekommenderar att montera Vicair Adjuster O2 under direkt övervakning av en terapeut eller hjälpmedelskonsulent.

Försiktighet! Säkerställ att dynan inte kan komma i kontakt med drivhjulens ekrar.

Observera! Använd alltid dynan med överdrag.

Observera! Säkerställ att rullstolens sits är ren och avfettad.

Tips: Om användning utan kroken och kardborrbandet föredras, kan dessa avlägsnas. Observera att banden som sitter på undersidan av dynan inte kan avlägsnas.

Ota O2 Top Cover -päällinen käyttöön

seuraavissa vaiheissa

Dessa steg motsvarar installationsbilderna 1–6 i Quick Installation Guide:

- Kontrollera dynans storlek. Dynans bredd (X) ska motsvara sitsens bredd. Om dynan vilar mot armstöd eller sidoskydd kan den vara upp till 2,5 cm (1") bredare. Dynans djup (Y) ska motsvara sitsens bredd.
- Kontrollera om överdragets storlek motsvarar dynans storlek.
- Avlägsna den självhäftande skyddstejpen från kardborrbanden på dynan undersida.
- Placera dynan i sitsen och tryck ner den ordentligt.
- Placera dynöverdraget O2 Topp överdrag ovanpå dynan.
- För in snöret som sitter på dynans baksida genom "knapphållet" på dynöverdragets baksida
- Sitt på dynan under några minuter så att den formas efter din kropp.
- Justera fotstöd vid behov.

Alternativt fodral för dynan

Utför följande steg om du använder Comfair Cover, Incotec Cover eller Reversible Cover.

Anmärkning: Reversible Cover levereras med den svala andningsaktiva sidan vänd utåt. Om du behöver använda den vätskeresistenta sidan av detta överdrag: Öppna blixtlåset och avlägsna den övre delen av överdraget fullständigt från bottendelen, vänd den övre delen ut och in och fäst den i den nedre delen igen med hjälp av blixtlåset.

- Kontrollera dynans storlek. Dynans bredd (X) ska motsvara sitsens bredd. Om dynan vilar mot armstöd eller sidoskydd kan den vara upp till 2,5 cm (1") bredare. Dynans djup (Y) ska motsvara sitsens bredd.
- Kontrollera om överdragets storlek motsvarar dynans storlek.
- Avlägsna kardborrbanden från dynans undersida. Observera att banden som sitter på undersidan av dynan inte kan avlägsnas.
- För in dynan i överdraget.
- Fäst haken i öglan på överdraget.
- Stäng blixtlåset. Se till att dynan inte skadas.
- Avlägsna den självhäftande skyddstejpen från kardborrbanden på dynans överdrag.
- Placera dynan i sitsen och tryck ner den ordentligt.
- Sitt på dynan under några minuter så att den formas efter din kropp.
- Justera fotstöd vid behov.

Kontroll avseende kroppskontakt med dynans botten ("bottoming out"):

Bild 7 – Quick Installation Guide

Varning! Svanskotan och bäckenbenet får inte vidröra dynans botten ("bottoming out").

Kontroll att så inte sker ska utföras i samband med första användningen och efter justeringar av dynans fyllning.

Varning! Vicair B.V. rekommenderar att justering av fyllnadsgraden sker under direkt överinseende av en terapeut eller en hjälpmedelskonsulent.

- Kontrollera att ingen kroppskontakt med dynans botten föreligger (bottoming out) efter att ha suttit på den i cirka 5 minuter.
- Låt din terapeut eller hjälpmedelskonsulent skjuta in en hand mellan din bakdel och Vicair-dynan samtidigt som du lutar dig framåt.
- Låt terapeuten eller hjälpmedelskonsulenten kontrollera om dina nedersta benutskott stöds av minst 2,5 cm/1 tum SmartCells™. Detta säkerställer att de inte kommer i kontakt med rullstolens sits.
- Använd inte dynan om kroppskontakt med dynans botten uppstår. I de flesta fall kan en justering av fyllnadsgraden i dynans fack lösa eventuella problem.

ANVÄNDNING

Kontroll av hudrodnad

Bild 8 – Quick Installation Guide

Varning! Kontrollera regelbundet huden avseende rodnad, särskilt under de första dagarna. Rådfråga ansvarig terapeut eller hjälpmedelskonsulent om rodnad som uppstår inte försvinner inom 15 minuter.

Justering av fyllnadsgraden

Varning! Vicair B.V. rekommenderar att justering av fyllnadsgraden sker under direkt överinseende av en terapeut eller en hjälpmedelskonsulent.

Redo för användning

Denna Vicair-produkt levereras klar för användning. Fyllnadsgraden varierar beroende på dynans storlek och modell. Vid behov kan dock fyllnadsgraden justeras genom att SmartCells avlägsnas från/tillförs till de olika facken. Standardfyllnadsgraden anges på dynans etikett.

Föresättningar för användning och förvaring

Försiktighet! Använd eller förvara inte produkten nära öppen eld eller värmekälla som avger hög temperatur.

• Brukarvikt:

Lägsta: 15 kg / 33 lbs,
Max: 250 kg / 551 lbs

• Temperatur:

Lägsta: -20 °C / 4 °F,
Max: 55 °C / 131 °F

• Användning på hög höjd

Observera! Vicair B.V. avråder från användning av dynan på platser 2 400 m (8 000 ft) över havsytan eller 50 m (164 ft) under havsytan. Då varje enskild SmartCell är fylld med luft kan dynans egenskaper förändras om den används på hög höjd, exempelvis under en flygresa. Under sådana villkor kan dynans fasthet justeras genom att några luftkuddar avlägsnas från varje fack.

• Luftfuktighet:

Lägsta: 0 %, högsta 100 %

Daglig uppuffning

Vicair B.V. rekommenderar att Vicair-dynan puffas upp varje dag före användning.

Användning av Vicair-sittdynor i motorfordon

När så är möjligt, förflytta från rullstolen och till ett tillverkarinstallerat fordonssäte utan dynan, samt använd fordonets krocktestade säkerhetsbälte.

Som ett alternativ till Vicair-rullstolsdynan kan Vicair Allrounder O2 (som kan fästas på användarens kropp) användas om ytterligare skydd behövs vid transport i tillverkarinstallerat fordonssäte.

När rullstolen används som fordonssäte ska gällande regler och regelverk avseende säkrandet av rullstolen och rullstolens användare under transport beaktas.

Det finns ingen information tillgänglig rörande säkerheten hos en Vicair-rullstolsdyna som används i en krocktestad rullstol.

Återanvändning – överföring till annan användare

Produkten är lämplig för återanvändning. Antalet gånger som den kan användas beror på hur ofta och på vilket sätt den används.

Produkten måste rengöras och desinficeras grundligt innan en annan person tillåts att använda den. Se kapitlet "Underhåll och rengöring" för anvisningar.

Observera! Säkerställ att produkten är korrekt inställd för den andra personen.

Förväntad livslängd

Livslängden hos denna produkt är fem år vid användning i enlighet med säkerhetsanvisningar, underhållsintervall samt korrekt användning enligt angivet i denna bruksanvisning.

Effektiv livslängd kan variera beroende på användningens frekvens och intensitet.

Byte av dynöverdrag

Vid normal användning rekommenderar Vicair B.V. att dynöverdraget byts ut årligen. Extra överdrag kan köpas separat.

Kassering

Kassering och återvinning av använda enheter och förpackningar måste ske i enlighet med lokala regler. Säkerställ att produkten är rengjord innan den kasseras för att undvika eventuell risk för kontamination.

UNDERHÅLL OCH RENGÖRING

Varning! Kontrollera produkten avseende slitage och tömda luftkuddar var tredje månad. Fortsätt inte att använda produkten om den är

allvarligt skadad eller ett stort antal luftkuddar är tömda. Rådfråga en hjälpmedelskonsulent.

Försiktighet! Ångrengör eller autoklavera inte produkten. Den tål inte stark värme eller högt tryck. Om angivna rengöringsanvisningar inte följs kommer livslängden för produkten med stor sannolikhet att förkortas.

Försiktighet! Använd inte aggressiva eller slipande rengöringsmedel eller vassa föremål för att rengöra dynan.

Försiktighet! Placera inte Vicair O2-dynans ovansida mot glaset på tvättmaskinens lucka.

Försiktighet! Överdriven tvätt kan påverka produktens åldrande.

Rengöra Vicair Adjuster O2

• Rengöring av dynöverdraget Vicair Adjuster O2

Dynöverdraget tål maskintvätt. Följ tvättråden på etiketten som sitter på insidan av överdraget. (60 °C = 140 °F)



• Rengöring av dynan Vicair Adjuster O2

Din Vicair O2-dyna kan maskintvättas i 60 °C/140 °F med antiskrynkingsprogram och mild tvättmedel. Luftkuddarna (SmartCells) behöver inte avlägsnas innan dynan läggs i tvättmaskinen. Säkerställ att dynans ovansida inte placeras mot glaset på tvättmaskinens lucka. Fyll inte tvättmaskinen till mer än hälften av dess maximala viktkapacitet. Centrifugeringshastigheten bör sänkas. Se till att dynan kan röra sig fritt inuti trumman om du använder en tvättmaskin med omrörare. Använd inte klorblekmedel och undvik kemtvätt! Vicair O2-dynan får ej torktumlas utan ska lufttorkas. Remmen kan användas för upphängning av Vicair O2-dynan vid torkning.



Desinfektera din Vicair Adjuster O2

Varning! Om produkten förorenas med kroppsvätskor eller överförs till annan användare måste den desinficeras för att undvika korskontaminering. Rengör dynan och överdraget enligt anvisningarna ovan. Använd företrädesvis ett antibakteriellt rengöringsmedel. Spreja dynan och överdraget med desinfektionsmedel efter rengöring. Böj facken utåt för att säkerställa att sprejen kan tränga in i mellanrummen.

RAPPORTERA ALLVARLIGA INCIDENTER

Allvarliga incidenter till följd av användning av Vicair-produkter bör rapporteras till tillverkaren och relevant behörig myndighet.

GARANTI

Besök www.vicair.com för fullständig information om garantiärenden och villkor. Vicair B.V. erbjuder en begränsad garanti mot defekter i utförande och material under förutsättning att produkten har använts på avsett sätt. Eventuella skador som uppkommer till följd icke avsedd användning, felaktig hantering, felaktig rengöring eller vårdslöshet omfattas inte av denna garanti.

Garantiperiod

Från inköpsdatum: 24 månader.

Garantin för SmartCellerna i denna Vicair O2-dyna gäller under produktens hela livslängd.

Skulle en defekt i material eller utförande upptäckas inom ovan angivna garantitid kommer Vicair B.V. på eget initiativ att utan kostnad reparera eller byta ut produkten. Dynöverdraget omfattas inte av denna garanti. Kompensation till följd av att en utställd garanti inte efterlevs är begränsad till reparation eller utbyte av produkten. Skada till följd av att en garanti inte efterlevs ska under inga omständigheter omfatta följdskador eller överstiga priset på den icke avtalsenliga varan.

Frågor?

Kontakta Vicair B.V. via info@vicair.com eller kontakta Vicair-återförsäljaren i ditt land.



VICAIR® ADJUSTER O2 BRUKERMANUAL

Kjære kunde,

Takk for at du har valgt et Vicair®-produkt. Puten er enkel og sikker i bruk, og gir svært god effekt. For rask installering kan du bruke hurtigveiledningen som følger med puten. Les i tillegg brukermanualen og sørg for at du forstår alt som står der før du bruker produktet. Ta vare på både hurtigveiledningen og denne manualen for fremtidig bruk.

For mer informasjon eller bestilling av (flere) manualer, kontakt norway@invacare.no.

På vicair.com finner du informasjon om forhandlere.

INTRODUKSJON

Vicair Adjuster O2 er en setepute til rullestoler som gir meget god hudbeskyttelse for personer med høy risiko for å utvikle trykkskader. Den kan også brukes som et effektivt tillegg i en behandlingsplan for trykkskader (nivå I-IV). Vicair Adjuster O2-puten kan maskinvaskes uten å fjerne SmartCells!

INDIKASJONER

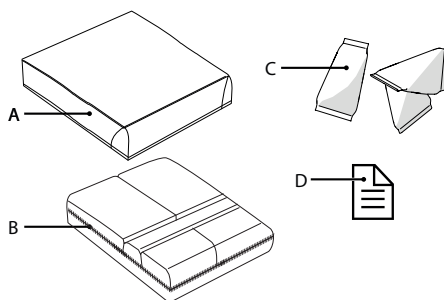
Den brukes til å forbedre kroppsstillingen til asymmetriske personer, til å forebygge trykkskader og til å gi komfort og stabil kroppsstøtte.

Den kan også brukes som et effektivt tillegg til en behandlingsplan for trykksår (nivå I-IV).

KONTRAINDIKASJONER

Når puten brukes som tiltenkt, er det ingen kjente kontraindikasjoner.

HOVEDDELER



- A. Putetrek
- B. Pute
- C. SmartCells™
- D. Hurtigveiledning (Quick Installation Guide)

GENERELLE PRODUKTSPEKIFIKASJONER

Produktnavn:	Vicair Adjuster O2
Produsert av:	Vicair B.V., Nederland
Garanti:	24 måneder
Vekt (uten trekk):	Minste størrelse: 0,5 kg / 1.1 lbs Mellomstørrelse: 0,8 kg / 1.8 lbs Største størrelse: 1 kg / 2,2 lbs
Tilgjengelige størrelser:	Se tabellen bakerst i manualen
Materialer:	Ingen materialer med lateks
Pute:	Toppen er laget av polyester med polyuretantrekk. Bunnen er laget av polyesternet
Fyll:	Luftfylte SmartCells med lavfriksjonsbelegg

O2-overtrekk:	Topp: Stoff av strikket polyester. Bunnkant: Polyester med antiskli-belegg av polyuretan.
---------------	---

Alternative putetrekk:

Comfair Cover: Topp: Stoff av strikket polyester. Sider: 3D nettingstoff av polyester. Bunn: Polyester med antiskli-belegg av polyuretan. Incotec Cover & Reversible Cover: Topp: Stoff av strikket polyester, belagt med væske-avvisende, pustende polyuretan. Bunn: Polyester med antiskli-belegg av polyuretan.

Alle trekk: Kan maskinvaskes. Trekkene er i samsvar med EN1021-1, 1021-2 og CAL117.

FORHOLDSREGLER OG SIKKERHETSINSTRUKSJONER

En Vicair-pute for rullestol skal bare brukes som en rullestolpute. Enhver annen bruk av dette produktet anses for å være feilbruk. Vicair B.V. kan ikke holdes ansvarlig for skader som oppstår som følge av feilbruk, ukorrekt bruk eller uaktsomhet. Pass på at du leser og forstår hele denne brukermanualen.

Advarsel! Vicair B.V. anbefaler å installere Vicair Adjuster O2 under direkte tilsyn av en terapeut eller hjelpemiddelkonsulent.

Advarsel! Halebeinet eller bekkenbeina må ikke berøre bunnen av puten. En kontroll av om kroppen berører bunnen av puten må gjennomføres ved første bruk og etter justeringer i putefyllet.

Advarsel! Huden skal sjekkes regelmessig for rødhet, spesielt de første dagene. Hvis det oppstår rødhet som ikke forsvinner etter 15 minutter, skal du rådføre deg med terapeuten eller legemiddelkonsulenten din.

Advarsel! Vicair B.V. anbefaler å justere fyllmengden under oppsyn av terapeuten eller legemiddelkonsulenten din.

Advarsel! Ved tilsmussing med kroppsvæsker, og når produktet overføres til en annen bruker, må produktet desinfiseres for å unngå krysskontaminering.

Advarsel! Hver tredje måned må produktet sjekkes for slitasje og celler med for lite luft. Ved alvorlig skade eller et høyt antall celler med for lite luft må produktet ikke brukes. Kontakt din terapeut eller en hjelpemiddelsansvarlig.

OBS! Hold produktet unna åpen ild eller andre kilder til høy varme.

OBS! Produktet må ikke damprengjøres eller autoklaveres. Produktet tåler ikke høy varme eller for stort trykk. Dersom de medfølgende rengjøringsinstruksene ikke følges, er det svært sannsynlig at produktet og/eller produktets trekk vil få kortere levetid.

OBS! Ikke bruk sterke eller slipende rengjøringsmidler eller skarpe gjenstander til å rengjøre puten.

OBS! Ikke plasser oversiden av Vicair-puten mot glasset på vaskemaskindøren.

OBS! Pass på at puten ikke kommer i kontakt med hjulenes eiker.

OBS! Hyppig og sterk vasking kan påvirke dette produktets aldring.

Merk! Fyllnivået kan avvike litt fra standarden (se etiketten på produktet).

INSTALLASJON

Advarsel! Vicair B.V. anbefaler å installere Vicair Adjuster O2 under direkte tilsyn av en terapeut eller hjelpemiddelkonsulent.

OBS! Pass på at puten ikke kommer i kontakt med hjulenes eiker.

Merk! Bruk alltid puten med trekk.

Merk! Pass på at rullestolsetet er rent og fettfritt.

Tips: Hvis du foretrekker å ikke bruke borrelåsene, kan du fjerne dem. Vær oppmerksom på at borrelåsene festet i bunnen av puten, ikke kan fjernes.

Utfør følgende trinn når du bruker O2 Top Cover-putetrekket

Disse trinnene følger installasjonsbildene 1 – 6 i hurtigveiledningen:

- Kontroller putestørrelsen. Bredden (X) til puten og setet må stemme overens. Når puten hviler mot armlener eller sidestøtter, kan bredden være opp til 2,5 cm (1") bredere. Dybden (Y) til puten og setet må stemme overens.
- Kontroller at størrelsen på trekket passer til størrelsen på puten.
- Fjern beskyttelsen fra de selvklebende borrelåsene festet i bunnen av puten
- Plasser puten ved å trykke den godt på plass.
- Plasser O2 Top Cover-putetrekket over toppen av puten.
- Før løkken på baksiden av puten gjennom "knappehullet" på baksiden av trekket.
- Sitt på puten noen minutter for å la puten tilpasse seg kroppsformen din.
- Juster fotstøtten(e) om nødvendig.

Alternativt putetrekke

Utfør følgende trinn når du bruker Comfair Cover, Incotec Cover eller Reversible Cover. OBS! Reversible Cover leveres med den kalde, pustende siden vendt utover. Hvis du ønsker å bruke den væske-avisende siden av dette trekket: Åpne glidelåsen som skiller overdelen fullstendig fra underdelen, vend overdelen slik at utsiden vender inn og lukk glidelåsen som fester overdelen til underdelen igjen.

- Kontroller putestørrelsen. Bredden (X) til puten og setet må stemme overens. Når puten hviler mot armlener eller sidestøtter, kan bredden være opp til 2,5 cm (1") bredere. Dybden (Y) til puten og setet må stemme overens.
- Kontroller at størrelsen på trekket passer til størrelsen på puten.

- Fjern borrelås-remmene fra bunnen av puten. Vær oppmerksom på at borrelåsene festet i bunnen av puten, ikke kan fjernes.
- Sett puten inn i trekket.
- Før løkken gjennom hullet i trekket.
- Lukk glidelåsen. Pass på å ikke skade puten.
- Fjern beskyttelsen fra de selvklebende borrelåsene festet til putetrekket.
- Plasser puten ved å trykke den godt på plass.
- Sitt på puten noen minutter for å la puten tilpasse seg kroppsformen din.
- Juster fotstøtten(e) om nødvendig.

Kontroller om kroppen berører bunnen av puten:

Bilde 7 - Quick Installation Guide

Advarsel! Halebeinet eller bekkenbeina må ikke berøre bunnen av puten. En kontroll av om kroppen berører bunnen av puten må gjennomføres ved første bruk og etter justeringer i putefyllet.

Advarsel! Vicair B.V. anbefaler å justere fyllmengden under oppsyn av terapeuten eller legemiddelkonsulenten din.

- Kontroller om kroppen berører bunnen av puten etter å ha sittet på puten i omtrent fem minutter.
- La terapeuten eller legemiddelkonsulenten din skyve en hånd mellom baken din og Vicair puten mens du lener deg forover.
- Be terapeuten eller legemiddelkonsulenten om å sjekke at de nederste benfremspringene får støtte av minst 2,5 cm/1" SmartCells™. Dette forhindrer at bena kommer i kontakt med rullestolens sete.
- Ikke bruk puten hvis kroppen din berører bunnen av puten. I de fleste tilfeller vil en justering av fyllgraden i kamrene løse eventuelle problemer.

BRUK

Kontroller rødhet i huden

Bilde 8 - Quick Installation Guide

Advarsel! Huden skal sjekkes regelmessig for rødhet, spesielt de første dagene. Hvis det oppstår rødhet som ikke forsvinner etter 15 minutter, skal du rådføre deg med terapeuten eller legemiddelkonsulenten din.

Juster fyllgraden

Advarsel! Vicair B.V. anbefaler å justere fyllmengden under oppsyn av terapeuten eller legemiddelkonsulenten din.

Klar til bruk

Vicair produktet er klart for bruk. Det har sin egen, unike fyllgrad avhengig av størrelse og modell. Men hvis det er nødvendig, kan fyllgraden justeres ved å fjerne eller tilføye SmartCells i de forskjellige kamrene. Du finner informasjon om standard fyllgrad på merkelappen som er festet til puten.

Betingelser for bruk og oppbevaring

OBS! Hold produktet unna åpen ild eller andre kilder til høy varme.

- **Brukervekt:**
Minimum: 15 kg / 33 lbs,
maksimum: 250 kg / 551 lbs
- **Temperatur:**
Minimum: -20 °C / 4 °F,
maksimum: 55 °C / 131 °F
- **Bruk i høyden**
Merk! Vicair B.V. anbefaler å ikke bruke puten i høyder over 2400 m (8000 fot) over havet eller under 50 m (164 fot) under havoverflaten. Siden hver SmartCell er fylt med luft, kan puten oppføre seg ulikt høyt oppe eller i fly. I slike tilfeller kan putens fasthet justeres ved å fjerne noen få celler fra hvert kammer.
- **Luftfuktighet:**
Minimum: 0 %, maksimum 100 %

Daglig oppristing

Vicair B.V. anbefaler at du rister opp Vicair-puten daglig før du bruker den.

Bruk av Vicair-seteputer i motorkjøretøy

Når det er mulig, skal du bevege deg ut av rullestolen og inn i et bilsete montert av bilprodusenten uten puten og bruke kjøretøyets kollisjonstestede passasjersikringssystem. Som et alternativ til Vicair-rullestolputen kan du bruke Vicair Allrounder 02 (som kan festes til brukerens kropp) hvis du trenger ytterligere beskyttelse i et sete montert av kjøretøyprodusenten under transport. Når rullestolen brukes som sete i kjøretøyet, må gjeldende regler og forskrifter om sikring av rullestolen og rullestolbrukeren under transport følges. Det foreligger ingen tilgjengelige data om hvordan en Vicair-rullestolpute som brukes i en kollisjonstestet rullestol påvirker sikkerheten.

Gjenbruk – overføring av produktet til en annen bruker

Produktet er egnet for gjenbruk. Hvor mange ganger den kan brukes, avhenger av hvor ofte og på hvilken måte produktet er blitt brukt. Produktet må rengjøres grundig og desinfiseres før en annen person kan bruke det. Se kapitlet «Vedlikehold og rengjøring» for instruksjoner.
Merk! Pass på at produktet justeres korrekt til den andre personen.

Forventet levetid

Dette produktets forventede levetid er fem år når det brukes i samsvar med sikkerhetsinstruksene, vedlikeholdsintervallene overholdes og produktet brukes på riktig måte, som beskrevet i denne håndboken. Den faktiske levetiden kan variere med brukshyppigheten og -intensiteten.

Bytte av putetrekket

Ved normal bruk anbefaler Vicair B.V. å bytte putetrekket hvert år. Nye putetrekk kan kjøpes separat.

Kassering

Kassering og resirkulering av brukte enheter og emballasje må foretas i samsvar gjeldende regelverk. Forsikre deg om at produktet er blitt rengjort før det kasseres, for å unngå smitterisiko.

VEDLIKEHOLD OG RENGJØRING

Advarsel! Hver tredje måned må produktet sjekkes for slitasje og celler med for lite luft. Ved alvorlig skade eller et høyt antall celler med for lite luft må produktet ikke brukes. Kontakt din terapeut eller en hjelpemiddelansvarlig.

NB! Produktet tåler ikke damprens eller autoklav. Produktet tåler ikke høy varme eller høyt trykk. Dersom produktet ikke vaskes som angitt, forkortes dets levetid.

OBS! Ikke bruk sterke eller slipende rengjøringsmidler eller skarpe gjenstander til å rengjøre puten.

Forsiktighet! Ikke plasser oversiden av Vicair O2-puten mot glasset på vaskemaskindøren.

OBS! Hyppig og sterk vasking kan påvirke dette produktets aldring.

Rengjøring av Vicair Adjuster O2

• Rengjøring av putetrekket til Vicair Adjuster O2

Putetrekket kan maskinvaskes. Følg vaskeanvisningene på merkelappen festet på innsiden av trekket.

(60 °C= 140 °F)

- **Rengjøring av Vicair Adjuster O2-puten**
Vicair O2-puten kan vaskes i maskin på 60 °C / 140 °C ved bruk av et finvaskprogram og et mildt vaskemiddel. Du trenger ikke fjerne SmartCells før du legger puten i vaskemaskinen. Ikke legg oversiden av puten mot glasset på vaskemaskindøren. Ikke fyll vaskemaskinen mer enn halvparten av tillatt vekt. Reduser sentrifugehastigheten. Når man bruker en vaskemaskin med agitator, må man passe på at puten kan bevege seg fritt inne i trommelen. Ikke bruk klorblekemiddel og ikke ta puten til rens! Ikke tork Vicair O2-puten i tørketrommel, men la den lufttørke. Du kan benytte stroppen til å henge opp puten.



Desinfisering av Vicair Adjuster O2

Advarsel! Ved tilsmussing med kroppsvæsker eller når produktet overføres til en annen bruker, må produktet desinfiseres for å hindre smitte. Rengjør puten og trekket som forklart ovenfor. Bruk helst et antibakterielt rengjøringsmiddel. Etter rengjøring må puten og trekket sprayes med et desinfiseringsmiddel. Bøy kamrene utover for å sikre at sprayen kommer inn i mellomrommene.



RAPPORTERING OM ALVORLIGE HENDELSER

Alvorlige hendelser ved bruk av Vicair-produkter skal rapporteres til produsenten og ansvarlige myndigheter.

GARANTI

Se www.vicair.com for komplett informasjon om garantier, vilkår og betingelser.

Vicair B.V. har en begrenset garanti mot fabrikasjonsfeil og materialfeil, forutsatt at produktet har blitt brukt på normal måte. Enhver skade som har oppstått som følge av unormal bruk, feilaktig håndtering, feilaktig rengjøring eller annen uaktsomhet, dekkes ikke av denne garantien.

Garantiperiode

Fra opprinnelig kjøpsdato: 24 måneder.
Det er livstidsgaranti på SmartCells-ene i denne Vicair O2 puten.

Hvis det oppstår en fabrikasjonsfeil eller materialfeil innenfor tidsperioden nevnt ovenfor, skal Vicair B.V. enten reparere eller erstatte produktet – etter eget valg – uten omkostninger. Putetrekket er ekskludert fra denne garantien. Garantien er begrenset til erstatning eller reparasjon av produktet. Ikke i noe tilfelle skal erstatning for brudd på garantien inkludere eventuelle følgeskader eller overstige produktets kostnad.

Har du spørsmål?

Ta kontakt med Invacares kundeserviceavdeling på e-post norway@invacare.no eller på telefon 22 57 95 00.



VICAIR® ADJUSTER O2 -KÄYTTÖOHJE

Hyvä asiakas!

Kiitos Vicair®-tuotteen valinnasta. Olemme varmoja, että arvostat sen yksinkertaisuutta, luotettavuutta ja erinomaista vaikutusta. Asennuksen nopeuttamiseksi voit käyttää tyynyn mukana toimitettua pika-asennusopasta. Lue ja omaksu lisäksi tämä käyttöohje ennen käyttöä. Säilytä sekä pika-asennusopas että tämä ohje tulevaa tarvetta varten.

Ota yhteys oman maasi jakelijaan, kun tarvitset lisätietoa tai haluat tilata (lisää) käyttöohjeita. Lue jakelijatiedot osoitteesta vicair.com.

JOHDANTO

Vicair Adjuster O2 on pyörätuolin istuintyyny, joka suojaa ihoa erinomaisesti henkilöillä, joilla on suuri riski saada painevaurioita. Se on myös tehokas lisä painevaurioiden hoitosuunnitelmaan (I–IV asteen painehaavat). Vicair Adjuster O2 -tyyny on konepestävä irrottamatta SmartCells-ilmakartioita!

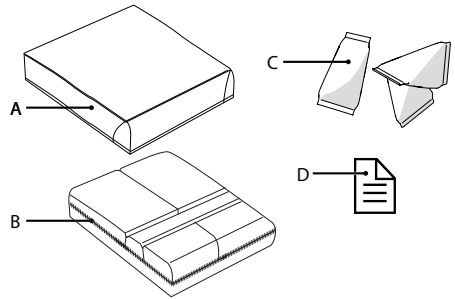
KÄYTTÖAIHEET

Se kohentaa epäsymmetristen henkilöiden ryhtiä, ehkäisee painevaurioita ja tarjoaa mukavan ja vakaan tuen keholle. Se on tehokas lisä painehaavojen hoitosuunnitelmaan (I–IV asteen painehaavat).

VASTA-AIHEET

Käyttötarkoituksen mukaisesti käytettynä tunnettuja vasta-aiheita ei ole.

PÄÄOSAT



- A. Tyynynpäällinen
- B. Tyyny
- C. SmartCells™
- D. Pika-asennusopas (Quick Installation Guide)

YLEISTIEDOT TUOTTEESTA

Tuotenimi:	Vicair Adjuster O2
Valmistaja:	Vicair B.V., Alankomaat
Takuu:	24 kuukautta
Paino (ilman päällistä):	Pienin koko: 0,5 kg / 1.1 lbs Keskikoko: 0,8 kg / 1.8 lbs Suurin koko: 1 kg / 2,2 lbs
Saatavissa olevat koot:	Katso ohjeen takasivulla oleva taulukko
Käytetyt materiaalit:	Täysin lateksittomat.
Tyyny:	Päällinen on valmistettu polyuretaanipinnoitetusta polyesterikankaasta, pohja on polyesteriverkkokangasta
Täyte:	Ilmatäytteiset SmartCells-kartiot, joissa kitkaa vähentävä pinnoite

O2 Top Cover -päällinen:	Yläpuoli: Neulottu polyesterikangas. Alareuna: Polyesterikangas, jossa on polyuretaanista valmistettu liukumisenestopinnoite.
-----------------------------	---

Vaihtoehtoiset tynnynpäälliset:

Comfair Cover -päällinen: Yläpuoli: Neulottu polyesterikangas. Sivut: Kolmiulotteinen polyesteriverkkokuitu. Pohja: Polyesterikangas, jossa on polyuretaanista valmistettu liukumisenestopinnoite.

Incotec Cover - ja Reversible Cover - tynnynpäällinen: Yläpuoli: Neulottu polyesterikangas, joka on pinnoitettu vedenpitävällä hengittävällä polyuretaanilla. Pohja: Polyesterikangas, jossa on polyuretaanista valmistettu liukumisenestopinnoite.

Kaikki päälliset ovat konepestäviä. Päälliset täyttävät standardit EN 1021-1, 1021-2 ja CAL117.

VAROTOIMET JA TURVAOHJEET

Vicair-pyörätuolityynyä saa käyttää ainoastaan pyörätuolin istuintynynä. Muunlainen tuotteen käyttö katsotaan virheelliseksi käytöksi. Vicair B.V. ei vastaa vahingoista, jotka aiheutuvat tuotteen virheellisestä tai väärästä käytöstä tai laiminlyönnistä. Varmista, että olet lukenut ja ymmärtänyt tämän ohjeen kokonaisuudessaan.

Varoitus! Vicair B.V. suosittelee, että Vicair Adjuster O2 -istuintynny asennetaan hoitajan tai apuvälineen luovuttajan välittömässä valvonnassa.

Varoitus! Häntäluusi ja lantion luittesi ei pitäisi koskettaa tynny pohjaa. Pohjakosketuksen tarkistaminen on tehtävä ensimmäisellä käyttökerralla ja uudelleen tynny täyttöasteen säätämisen jälkeen.

Varoitus! Seuraa ihosi punoitusta säännöllisesti erityisesti parin ensimmäisen päivän aikana. Mikäli punoitusta ilmenee eikä se häviä 15 minuutin kuluessa, ota yhteyttä hoitajaan tai apuvälineteknikkoon.

Varoitus! Vicair B.V. suosittelee, että tynny täyttöastetta säädetään hoitajan tai apuvälineteknikon välittömässä valvonnassa.

Varoitus! Jos istuintynny on likaantunut kehon nesteistä ja eritteistä ja kun se luovutetaan toiselle käyttäjälle, se on desinfioitava ristikontaminaation estämiseksi.

Varoitus! Tarkista tuotteen kuluminen ja ilmakartioiden tyhjentyminen kolmen kuukauden välein. Mikäli tynny on pahasti vahingoittunut tai suuri määrä ilmakartioita on tyhjentynyt, älä jatka tuotteen käyttöä. Kysy neuvoa avustavan tekniikan ammattilaiseltasi.

Huomio! Älä käytä tai jätä tuotetta avotulen lähelle tai kuuman lämmönlähteen lähelle.

Huomio! Älä pese tuotetta höyryttämällä äläkä laita sitä autoklaaviin. Tuote ei kestä korkeaa lämpöä eikä painetta. Jollei annettuja puhdistusohjeita noudateta, on todennäköistä, että tuote ja/tai sen päällinen kuluvat käytössä nopeammin.

Huomio! Älä käytä hankaavia tai syövyttäviä puhdistusaineita tai teräviä välineitä tynny puhdistamiseen.

Huomio! Älä aseta Vicair -tynny yläpuolta pesukoneen lasiluukkuun vasten.

Huomio! Varmista, ettei tynny osu teräspinojen väliin.

Huomio! Liiallinen pesu voi vaikuttaa tämän tuotteen ikääntymiseen.

Huomautus! Täyttöaste voi hieman poiketa oletuksesta (katso tuote-etiketti).

ASENNUS

Varoitus! Vicair B.V. suosittelee, että Vicair Adjuster O2 -istuintyynty asennetaan hoitajan tai apuvälineen luovuttajan välittömässä valvonnassa.

Huomio! Varmista, ettei tyynty osu teräspintojen väliin.

Huomautus! Käytä tyyntyä aina päällisen kanssa.

Huomautus! Tarkista, että pyörätuolin istuin on puhdas ja tahraton rasvasta.

Vinkki: Jollet halua käyttää koukkua ja silmukkaa, voit irrottaa koukkunauhut. Huomaa, ettei tyynty pohjaan kiinnitettyjä nauhoja voi irrottaa.

Ota O2 Top Cover -päällinen käyttöön seuraavissa vaiheissa

Vaiheet vastaavat pika-asennusoppaan asennuskuvia 1 – 6:

- Tarkista tyynty koko. Tyynty ja istuimen leveyden (X) tulee olla sama. Kun käsinojat tai sivusuojat tukevat tyyntyä, tyynty voi olla enintään 2,5 cm leveämpi. Tyynty ja istuimen syvyyden (Y) tulee olla sama.
- Tarkista, että päällisen koko vastaa tyynty koko.
- Poista tyynty pohjaan kiinnitettyjen tarranauhojen suojateipit.
- Aseta tyynty paikalleen painamalla voimakkaasti.
- Aseta O2 Top Cover -päällinen tyynty yläosan päälle.
- Vie silmukka tyynty taakse päällisen takana olevan ”napinläven” kautta.
- Istu tyynty päällä pari minuuttia, jotta se mukautuu sinulle mukavaksi.
- Säädä tarvittaessa pyörätuolin jalkatukia.

Vaihtoehtoinen tyynty päällinen

Ota Comfair Cover -, Incotec Cover - tai Reversible Cover - tyynty päällinen käyttöön seuraavissa vaiheissa.

Huomaa: Reversible Cover - tyynty päällinen toimitetaan viileä hengittävä puoli ulospäin. Jos tarvitset tyynty päällisen nesteenkästävä puolta: irrota ensin tyynty päällisen yläosa pohjaosasta kokonaan, käännä yläosa nurinpäin ja kiinnitä se uudelleen pohjaosaan.

- Tarkista tyynty koko. Tyynty ja istuimen leveyden (X) tulee olla sama. Kun käsinojat tai sivusuojat tukevat tyyntyä, tyynty voi olla enintään 2,5 cm leveämpi. Tyynty ja istuimen syvyyden (Y) tulee olla sama.
- Tarkista, että päällisen koko vastaa tyynty koko.
- Poista tarrakoukkunauhut tyynty pohjasta. Huomaa, ettei tyynty pohjaan kiinnitettyjä nauhoja voi irrottaa.
- Aseta tyynty päällisen sisään.
- Vie silmukka päällisessä olevan renkaan läpi.
- Sulje vetoketju. Varmista, ettei tyynty vahingoitu.
- Poista päälliseen kiinnitettyjen koukkutarranauhojen suojateipit.
- Aseta tyynty paikalleen painamalla voimakkaasti.
- Istu tyynty päällä pari minuuttia, jotta se mukautuu sinulle mukavaksi.
- Säädä tarvittaessa pyörätuolin jalkatukia.

Tarkista pohjakosketus:

Kuva 7 – Quick Installation Guide

Varoitus! Häntäluusi ja lantion luittesi ei pitäisi koskettaa tyynty pohjaa. Pohjakosketuksen tarkistaminen on tehtävä ensimmäisellä käyttökerralla ja uudelleen tyynty täyttöasteen säätämisen jälkeen.

Varoitus! Vicair B.V. suosittelee, että tyynty täyttöastetta säädetään hoitajan tai apuvälineteknikon välittömässä valvonnassa.

- Tarkista pohjakosketus, kun olet istunut tyynyllä noin 5 minuutin ajan.
- Anna hoitajan tai apuvälineteknikon työntää kätensä pakaroidesi ja Vicair-tyynyn väliin samalla, kun nojaat eteenpäin.
- Pyydä hoitajaa tai apuvälineteknikkoa tarkistamaan, että alimpien istumaluuidesi alla on vähintään 2,5 cm SmartCells™-ilmakartioita. Ne estävät niitä koskettamasta pyörätuolin istuimeen.
- Älä käytä tyynyä, mikäli tunnet pohjakosketuksen. Useimmiten osastojen täyttöasteen säätäminen ratkaisee ongelman.

KÄYTTÖ

Ihon punoituksen tarkistus

Kuva 8 – Quick Installation Guide

Varoitus! Seuraa ihosi punoitusta säännöllisesti erityisesti parin ensimmäisen päivän aikana. Mikäli punoitusta ilmenee eikä se häviä 15 minuutin kuluessa, ota yhteyttä hoitajaan tai apuvälineteknikkoon.

Täyttöasteen säätäminen

Varoitus! Vicair B.V. suosittelee, että tyynyn täyttöastetta säädetään hoitajan tai apuvälineteknikon välittömässä valvonnassa.

Käyttövalmius

Tämä Vicair-tuote on käyttövalmis. Eri kokojen ja mallien täyttöasteet vaihtelevat. Täyttöastetta voidaan silti tarvittaessa säätää poistamalla tai lisäämällä SmartCells-ilmakartioita eri osastoista/osastoihin. Oletustäyttöaste näkyy tyynyyn kiinnitetystä lapusta.

Käyttö- ja säilytysolosuhteet

Huomio! Älä käytä tai jätä tuotetta avotulen lähelle tai kuumaa lämmönlähteen lähelle.

- **Käyttäjän paino:**
Alin: 15 kg / 33 lbs,
ylin: 250 kg / 551 lbs
- **Lämpötila:**
Alin: -20 °C / 4 °F,
ylin: 55 °C / 131 °F
- **Käyttö korkeassa ilmanalassa**
Huomaus! Vicair B.V. ei suosittele tyynyn käyttöä yli 2400 m:n korkeudessa merenpinnasta eikä yli 50 m merenpinnan alapuolella. Koska SmartCell-kartiot ovat täynnä ilmaa, tyyny voi käyttäytyä poikkeavasti korkeassa ilmanalassa tai lentokoneessa. Näissä tilanteissa tyynyn tukevuutta voidaan säätää poistamalla muutama ilmakartio kustakin osastosta.
- **Ilmankosteus:**
Alin: 0 %, ylin 100 %

Päivittäinen pölynpoisto

Vicair B.V. suosittelee Vicair-tyynyn päivittäistä puhdistamista pölystä.

Vicair-istuintyynyjen käyttö moottoriajoneuvoissa

Aina kun mahdollista, siirry pyörätuolista auton valmistajan asentamalle auton istuimelle ilman tyynyä ja käytä ajoneuvon törmäystestattua matkustajan turvajärjestelmää.

Vaihtoehtona Vicair-pyörätuolityynyille voit käyttää Vicair Allrounder O2 -tyynyä (joka voidaan kiinnittää käyttäjän vartaloon), jos tarvitset auton valmistajan asentamaan auton istuimeen lisäsuojaa kuljetuksen ajaksi. Jos pyörätuolia käytetään auton istuimena, sovellettavia sääntöjä ja määräyksiä koskien pyörätuolin ja pyörätuolin käyttäjän kiinnitystä kuljetuksen ajaksi on noudatettava.

Tietoja törmäystestatussa pyörätuolissa käytetyn Vicair-pyörätuolityynyn vaikutuksesta turvallisuuteen ei ole.

Uudelleenkäyttö - Tuotteen luovuttaminen toiselle käyttäjälle

Tuote soveltuu toistuvaan käyttöön.

Käyttökertojen määrä riippuu tuotteen käyttöiheydestä ja käytettävästä. Tuote on puhdistettava ja desinfioitava huolellisesti, ennen kuin toisen henkilön annetaan käyttää sitä. Katso ohjeet luvusta Kunnossapito ja puhdistus.

Huomautus! Varmista, että tuote on säädetty oikein toiselle henkilölle.

Odotettu käyttöikä

Tämän tuotteen odotettu käyttöikä on viisi vuotta, kun sitä käytetään tässä käyttöoppaassa kuvattujen turvallisuusohjeiden, huoltovälien ja oikean käytön mukaisesti.

Todellinen käyttöaika voi vaihdella riippuen käyttöiheydestä ja -intensiteetistä.

Tyynynpäällisen uusiminen

Vicair B.V. suosittelee tyynynpäällisen uusimista vuosittain normaalkäytössä. Vaihtopäällisiä voi ostaa erikseen.

Jätehuolto

Käytettyjen laitteiden ja pakkausten jätehuollossa ja kierrättämisessä on noudatettava kulloinkin sovellettavaa lainsäädäntöä. Varmista kontaminaatoriskien ehkäisemiseksi, että tuote on puhdistettu ennen luovutusta jätehuoltoon.

HUOLTAMINEN JA PUHDISTAMINEN

Varoitus! Tarkista tuotteen kuluminen ja ilmakartioiden tyhjentyminen kolmen kuukauden välein. Mikäli tyyny on pahasti vahingoittunut tai suuri määrä ilmakartioita on tyhjentyneet, älä jatka tuotteen käyttöä. Kysy neuvoa avustavan tekniikan ammattilaiselta.

Huomio! Älä pese tuotetta höyrystämällä äläkä laita sitä autoklaaviin. Se ei kestä korkeata lämpöä eikä painetta. Jollei annettuja puhdistusohjeita noudateta, on todennäköistä, että tuote kuuluu käytössä nopeammin.

Huomio! Älä käytä hankaavia tai syövyttäviä puhdistusaineita tai teräviä välineitä tyynyn puhdistamiseen.

Huomio! Älä aseta Vicair O2 -tyynyn yläpuolta pesukoneen lasiluukkuun vasten.

Huomio! Liiallinen pesu voi vaikuttaa tämän tuotteen ikääntymiseen.

Vicair Adjuster O2 -tyynyn puhdistaminen

• Vicair Adjuster O2 -päällisen puhdistaminen

Tyynynpäällinen voidaan pestä koneessa. Noudata päällisen sisäpuolella sijaitsevassa pesulapussa annettuja ohjeita. (60 °C = 140 °F)



• Vicair Adjuster O2 -tyynyn puhdistaminen

Vicair O2 -tyynysi voidaan pestä pesukoneessa 60 °C:n/140 °F:n lämpötilassa käyttäen siliävien ohjelmaa ja mietoa pesuainetta. SmartCells-ilmakartioita ei tarvitse irrottaa ennen konepesua. Varmista, ettet aseta tyynyn yläpuolta pesukoneen lasiluukkuun vasten. Älä täytä konetta enempää kuin puolet sen maksimi täyttömäärästä. Vähennä linkousnopeutta. Jos koneessa on sekoitin, varmista, että tyyny pääsee liikkumaan vapaasti rummussa. Älä käytä klooria. Ei kuivapesua! Älä kuivaa Vicair O2 -tyynyä kuivaimessa vaan anna se kuivua vapaasti ilmassa. Voit ripustaa Vicair O2 -tyynyn pyykkinarulle.



Vicair Adjuster O2 -tyynyn desinfiointi

Varoitus! Jos tynny on likaantunut kehon nesteistä ja eritteistä ja jos se luovutetaan toiselle käyttäjälle, se on desinfioitava ristikontaminaation ehkäisemiseksi. Puhdista tynny ja päällinen yllä olevien ohjeiden mukaan. Käytä mieluiten bakteereja tuhoavaa pesuainetta. Suihkuta puhdistuksen jälkeen tynny ja päällinen desinfiointiaineella. Taivuta osastoja ulospäin, jotta suihke menee myös rakkoihin.

VAKAVISTA VAARATILANTEISTA ILMOITTAMINEN

Vakavista haittapahtumista, jotka johtuvat Vicair-tuotteiden käytöstä, on ilmoitettava valmistajalle ja asianmukaiselle toimivaltaiselle viranomaiselle.

TAKUU

Katso kaikki tiedot takuumenettelyistä ja -ehdoista osoitteesta www.vicair.com. Vicair B.V. myöntää tuotteelle rajoitetun takuun, joka kattaa valmistusvirheet ja materiaalit, kunhan tuotetta käytetään normaalisti. Tuotteen väärinkäytöstä, virheellisestä käsittelystä, puhdistuksesta tai laiminlyönnistä johtuvat vahingot eivät kuulu takuun piiriin.

Takuuaika

Alkuperäisestä ostopäivästä 24 kuukautta. Tämän Vicair O2 -tyynyn SmartCells-kartioilla on elinikäinen takuu.

Jos materiaalista tai valmistusvirheestä johtuva vika ilmenee ilmoitettuna takuuaikana, Vicair B.V. korjaa tai vaihtaa – oman valintansa mukaisesti – tuotteen maksutta.

Tyynynpäällinen ei kuulu takuun piiriin. Tässä ilmoitettu takuu koskee pelkästään tuotteen korjausta tai vaihtoa.

Takuu ei missään tapauksessa korvaa välillisiä vahinkoja, eikä korvaus ylitä viallisen tuotteen hintaa.

Jääkö sinulle kysymyksiä?

Ota yhteys Vicair B.V.:hen osoitteessa info@vicair.com tai oman maasi Vicair-jakelijaan.

Estimado cliente:

Gracias por elegir un producto Vicair®. Estamos seguros de que sabrá apreciar la simplicidad, fiabilidad y su fantástico efecto. Para realizar una instalación rápida, puede utilizar la guía de instalación rápida que se incluye con su cojín. Además, lea detenidamente este manual de usuario antes de utilizarlo. Guarde la guía de instalación rápida y el manual para poder consultarlos en el futuro.

Si necesita más información o desea volver a solicitar algún manual, póngase en contacto con el distribuidor de su país.

Visite vicair.com para más información sobre el distribuidor.

INTRODUCCIÓN

El cojín Vicair Adjuster O2 es un cojín para asiento de silla de ruedas que ofrece un nivel muy alto de protección cutánea para aquellas personas que presentan un riesgo elevado de desarrollar lesiones por presión. Constituye también un elemento adicional de alto rendimiento para el plan de tratamiento de una lesión por presión (fase I-IV). El cojín Vicair Adjuster O2 se puede lavar en la lavadora sin necesidad de retirar las celdas SmartCells.

INDICACIONES

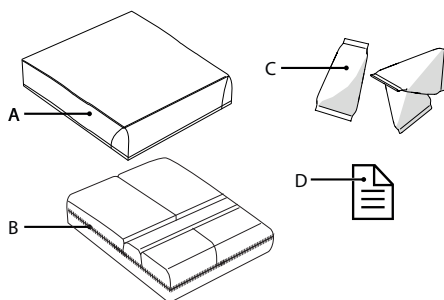
Se utiliza para mejorar la postura corporal de las personas asimétricas, para prevenir lesiones por presión y para ofrecer comodidad y soporte corporal estable.

Constituye también un elemento adicional de alto rendimiento para el plan de tratamiento de una úlcera de decúbito (fase I-IV).

CONTRAINDICACIONES

Cuando se utiliza según lo previsto, no hay contraindicaciones conocidas.

COMPONENTES PRINCIPALES



- A. Funda de cojín
- B. Cojín
- C. SmartCells™
- D. Guía de instalación rápida

ESPECIFICACIONES GENERALES DEL PRODUCTO

Nombre del producto:	Vicair Adjuster O2
Fabricado por:	Vicair B.V., Países Bajos
Garantía:	24 meses
Peso (sin funda):	Tamaño pequeño: 0,5 kg / 1.1 lbs Tamaño mediano: 0,8 kg / 1.8 lbs Tamaño grande: 1 kg / 2,2 lbs
Tamaños disponibles:	Consulte la tabla situada al dorso del manual.

Materiales utilizados:	No contienen látex
Cojín:	Parte superior hecha de tejido de poliéster con revestimiento de poliuretano, base de tejido de malla de poliéster
Relleno:	Celdas SmartCells rellenas de aire con un revestimiento de baja fricción
Funda de cojín O2 Top Cover:	Parte superior: tela de poliéster tejida. Borde inferior: tela de poliéster con revestimiento antideslizante de poliuretano.

Fundas de cojín alternativas:

Funda de cojín Comfair Cover: Parte superior: tela de poliéster tejida. Laterales: tejido de malla de poliéster 3D. Parte inferior: tela de poliéster con revestimiento antideslizante de poliuretano.

Fundas de cojín Incotec Cover y Reversible Cover: Parte superior: tela de poliéster tejida, revestida con poliuretano transpirable resistente a los fluidos. Parte inferior: tela de poliéster con revestimiento antideslizante de poliuretano.

Todas las fundas: Se pueden lavar a máquina. Las fundas cumplen con las normas EN1021-1, 1021-2 y CAL117.

PRECAUCIONES E INSTRUCCIONES DE SEGURIDAD

Un cojín para asiento de silla de ruedas Vicair solo puede utilizarse para tal fin. Si se utiliza este producto de otro modo, se considerará un mal uso. Vicair B.V. no se hará responsable de

los daños provocados por un mal uso, un uso inadecuado o negligencia. Asegúrese de que lee y comprende este manual en su totalidad.

¡Advertencia! Vicair B.V. recomienda instalar el cojín Vicair Adjuster O2 bajo la supervisión directa de un terapeuta o profesional en tecnología asistiva.

Advertencia: El coxis y los huesos de la pelvis no deben tocar la base del cojín. Se debe comprobar si se produce "bottoming out" la primera vez que se usa el cojín y después de realizar ajustes en el relleno.

Advertencia: Compruebe regularmente si su piel se enrojece, especialmente durante los primeros días. Si aparecen rojeces y no desaparecen después de 15 minutos, consulte a su terapeuta o a su profesional de tecnología asistencial.

Advertencia: Vicair B.V. recomienda ajustar el relleno bajo la supervisión directa de su terapeuta o su profesional de tecnología asistencial.

¡Advertencia! Si se mancha el producto con fluidos corporales o antes de transferir el producto a otro usuario, es imprescindible desinfectar el cojín para evitar la contaminación cruzada.

Advertencia: Compruebe cada 3 meses el estado del cojín y si existen celdas rotas. Si se ha producido un daño importante o hay un gran número de celdas rotas, no continúe usando el cojín. Consulte a su terapeuta o profesional en tecnología asistiva.

¡Precaución! No use ni deje el producto cerca de una llama o expuesto a una fuente de calor a alta temperatura.

¡Precaución! No limpie el producto con vapor o en un autoclave. El cojín no resiste las temperaturas o la presión excesivas. Si no se siguen las instrucciones de limpieza, es muy probable que tanto la funda como el cojín se deterioren más rápidamente.

¡Precaución! No utilice limpiadores agresivos o abrasivos, ni objetos cortantes para limpiar el cojín.

¡Precaución! No coloque la parte superior del cojín Vicair contra el cristal de la puerta de la lavadora.

¡Precaución! Asegúrese de que el cojín no toca los radios de las ruedas.

¡Precaución! Un lavado excesivo puede influir el envejecimiento de este producto.

Aviso: El grado de relleno puede diferir ligeramente del valor predeterminado (consulte la etiqueta del producto).

INSTALACIÓN

¡Advertencia! Vicair B.V. recomienda instalar el cojín Vicair Adjuster O2 bajo la supervisión directa de un terapeuta o profesional en tecnología asistiva.

¡Precaución! Asegúrese de que el cojín no toca los radios de las ruedas.

Aviso: Utilice siempre el cojín con una funda.

Aviso: Asegúrese de que el asiento de la silla de ruedas está limpio y sin grasa.

Consejo: Cuando prefiera no usar el gancho y la lazada, sencillamente retire las tiras de gancho. Recuerde que las cintas cosidas a la base del cojín no se pueden retirar.

Realice los siguientes pasos al utilizar la funda de cojín O2 Top Cover

Estos pasos se corresponden con las imágenes de instalación 1 – 6 presentes en el documento Quick Installation Guide (guía de instalación rápida).

- Compruebe el tamaño del cojín. El cojín debe tener la anchura (X) del asiento de la silla de ruedas. Cuando el cojín se apoye sobre los reposabrazos o las protecciones laterales, la anchura podrá ser de hasta 2,5 cm (1 pulgada) más ancha. El cojín debe tener la misma profundidad (Y) que el asiento.

- Compruebe que el tamaño de la funda se corresponde con el tamaño del cojín.
- Retire la banda protectora de las cintas de gancho autoadhesivas situadas en la base del cojín.
- Para colocar el cojín, presione con firmeza.
- Coloque la funda de cojín O2 Top Cover encima del cojín.
- Pase el nudo situado en la parte trasera del cojín a través del "ojal" situado en la parte de atrás de la funda.
- Siéntese sobre el cojín durante unos minutos para que se adapte a la forma de su cuerpo.
- Si es necesario, ajuste el/los reposapiés.

Funda de cojín alternativa

Realice los siguientes pasos al utilizar las fundas de cojín Comfair Cover, Incotec Cover o Reversible Cover.

Recuerde: la funda Reversible Cover se entrega con el lado transpirable fresco en la parte exterior. Si necesita utilizar el lado impermeable de la funda: abra completamente la cremallera de la sección superior de la funda desde la sección inferior, dele la vuelta a la sección superior y vuelva a cerrar la cremallera hasta la sección inferior.

- Compruebe el tamaño del cojín. El cojín debe tener la anchura (X) del asiento de la silla de ruedas. Cuando el cojín se apoye sobre los reposabrazos o las protecciones laterales, la anchura podrá ser de hasta 2,5 cm (1 pulgada) más ancha. El cojín debe tener la misma profundidad (Y) que el asiento.
- Compruebe que el tamaño de la funda se corresponde con el tamaño del cojín.
- Retire las cintas de gancho de la base del cojín. Recuerde que las cintas cosidas a la base del cojín no se pueden retirar.
- Introduzca el cojín en la funda.
- Pase el lazo por el ojal de la funda.

- Cierre la cremallera. Asegúrese de no dañar el cojín.
- Retire la banda protectora de las cintas de gancho autoadhesivas situadas en la funda del cojín.
- Para colocar el cojín, presione con firmeza.
- Siéntese sobre el cojín durante unos minutos para que se adapte a la forma de su cuerpo.
- Si es necesario, ajuste el/los reposapiés.

Comprobación de "bottoming out":

Imagen 7 - Quick Installation Guide

Advertencia: El coxis y los huesos de la pelvis no deben tocar la base del cojín. Se debe comprobar si se produce "bottoming out" la primera vez que se usa el cojín y después de realizar ajustes en el relleno.

Advertencia: Vicair B.V. recomienda ajustar el relleno bajo la supervisión directa de su terapeuta o su profesional de tecnología asistencial.

- Compruebe si se ha producido "bottoming out" después de permanecer sentado sobre el cojín durante aproximadamente 5 minutos.
- Permita que su terapeuta o su profesional de tecnología asistencial deslice una mano entre sus nalgas y el cojín Vicair mientras usted mantiene el cuerpo inclinado hacia delante.
- Pídale a su terapeuta o a su profesional de tecnología asistencial que compruebe si sus protuberancias óseas inferiores se apoyan por lo menos sobre 2,5 cm / 1 pulgada de celdas SmartCells™. De este modo se evitará que toquen el asiento de la silla de ruedas.
- No utilice el cojín si se produce "bottoming out". En la mayoría de los casos, se solucionará el problema al ajustar el relleno de los compartimentos.

USO

Comprobación de rojeces en la piel

Imagen 8 - Quick Installation Guide

Advertencia: Compruebe regularmente si su piel se enrojece, especialmente durante los primeros días. Si aparecen rojeces y no desaparecen después de 15 minutos, consulte a su terapeuta o a su profesional de tecnología asistencial.

Ajuste del relleno

Advertencia: Vicair B.V. recomienda ajustar el relleno bajo la supervisión directa de su terapeuta o su profesional de tecnología asistencial.

Listo para su uso

Este producto Vicair está listo para su uso. Posee su propio relleno exclusivo, dependiendo del tamaño y el modelo. Sin embargo, si es necesario, se pueden retirar celdas SmartCells de los distintos compartimentos, o añadir las, para ajustar el relleno. Encontrará el grado de relleno predeterminado en la etiqueta situada en el cojín.

Condiciones de uso y almacenamiento

¡Precaución! No use ni deje el producto cerca de una llama o expuesto a una fuente de calor a alta temperatura.

- **Peso del usuario:**
Mínimo: 15 kg / 33 libras,
máximo: 250 kg / 551 lbs
- **Temperatura:**
Mínimo: -20 °C / 4 °F,
máximo: 55 °C / 131 °F
- **Uso a gran altura**

Aviso: Vicair B.V. recomienda no utilizar el cojín a más de 2.400 m (8.000 pies) sobre el nivel del mar o a menos de 50 m (164 pies) por debajo del nivel del mar. Dado que cada

celda SmartCell™ está llena de aire, el comportamiento del cojín puede variar al ser utilizado en altitud o en un avión. En estos casos, se puede retirar unas pocas celdas de cada compartimento para ajustar la firmeza del cojín.

- **Humedad del aire:**

Mínima: 0%, máxima 100%

Mullido diario

Vicair B.V. recomienda mullir el cojín Vicair antes de utilizarlo cada día.

Uso de cojines para asientos Vicair en vehículos a motor

Siempre que sea posible, transféralo de la silla de ruedas a un asiento de automóvil instalado por el fabricante del automóvil sin el cojín y utilice el sistema de sujeción de ocupantes del vehículo a prueba de choques.

Como alternativa al cojín para sillas de ruedas Vicair, se puede usar el cojín Vicair Allrounder O2 (que se puede abrochar al cuerpo del usuario) cuando se requiera protección adicional durante el transporte en un asiento de automóvil instalado por el fabricante. Cuando se utiliza la silla de ruedas como asiento de automóvil, se deben seguir las normas y reglamentos aplicables con respecto a la fijación de la silla de ruedas y del usuario de la silla durante el transporte.

No hay datos disponibles sobre la influencia en la seguridad de un cojín para silla de ruedas Vicair utilizado en una silla de ruedas a prueba de choques.

Reutilización - Traspaso del producto a otro usuario

El producto es apto para un uso reiterado. El número de veces que se puede utilizar dependerá de la frecuencia y la forma en que se utilice el producto. El producto debe limpiarse y

desinfectarse a fondo antes de que se otra persona pueda utilizarlo. Véase el capítulo 'Mantenimiento y limpieza' para obtener instrucciones.

Aviso: Asegúrese de que el producto se ajusta correctamente a la otra persona.

Vida útil estimada

La vida útil estimada de este producto es de cinco años si se utiliza de acuerdo con las instrucciones de seguridad, los intervalos de mantenimiento y el uso correcto, indicados en este manual.

La vida útil efectiva puede variar en función de la frecuencia y la intensidad de uso.

Sustitución de la funda del cojín

Con un uso normal, Vicair B.V. recomienda cambiar la funda del cojín cada año. Las fundas de sustitución pueden adquirirse por separado.

Eliminación

La eliminación y el reciclaje de dispositivos usados y sus embalajes deben cumplir con la normativa aplicable. Asegúrese de limpiar el producto antes de desecharlo para evitar cualquier riesgo de contaminación.

MANTENIMIENTO Y LIMPIEZA

Advertencia: Compruebe cada 3 meses el estado del cojín y si existen celdas rotas. Si se ha producido un daño importante o hay un gran número de celdas rotas, no continúe usando el cojín. Consulte a su terapeuta o profesional en tecnología asistiva.

Precaución: No limpie el producto con vapor o en un autoclave. No puede soportar las temperaturas o la presión excesivas. Si no se siguen las instrucciones de limpieza, es muy probable que el producto se deteriore más rápido.

¡Precaución! No utilice limpiadores agresivos o abrasivos, ni objetos cortantes para limpiar el cojín.

Precaución: No coloque la parte superior del cojín Vicair O2 contra el cristal de la puerta de la lavadora.

¡Precaución! Un lavado excesivo puede influir en el envejecimiento de este producto.

Limpeza del cojín Vicair Adjuster O2

- **Limpeza de la funda del Vicair Adjuster O2**

La funda del cojín puede lavarse a máquina.

Siga las instrucciones de lavado que se indican en la etiqueta situada en el interior de la funda. (60 °C= 140 °F)



- **Limpeza del cojín Vicair Adjuster O2**

El cojín Vicair O2 puede lavarse en la lavadora a 60 °C/140 °F. Utilice un programa antiarrugas y detergente suave. No es necesario retirar las celdas SmartCells antes de meter el cojín en la lavadora. Asegúrese de no colocar la parte superior del cojín contra el cristal de la puerta de la lavadora. No llene la lavadora con más de la mitad de la carga máxima. Utilice un centrifugado suave. Al utilizar una lavadora con agitador, asegúrese de que el cojín puede moverse libremente dentro del tambor. No utilice lejía ni opte por la limpieza en seco. No seque el cojín Vicair O2 en secadora; déjelo secar al aire. Puede utilizar el lazo para tender el cojín Vicair O2.



Desinfección del Vicair Adjuster O2

Advertencia: En caso de contaminación con fluidos corporales y cuando el producto vaya a ser utilizado por un usuario diferente, se debe desinfectar para evitar posibles contagios.

Limpie el cojín y la funda de acuerdo con las instrucciones detalladas anteriormente. Preferiblemente, utilice un detergente antibacterias. Después de lavarlo, pulverice el cojín y la funda con un desinfectante. Pliegue los compartimentos hacia afuera para asegurarse de que el producto entra en todos los huecos.

NOTIFICACIÓN DE INCIDENTES GRAVES

Los incidentes graves causados por el uso de productos Vicair deben notificarse al fabricante y a la autoridad competente pertinente.

GARANTÍA

Consulte el sitio web www.vicair.com para obtener información completa sobre los procesos de garantía, así como los términos y condiciones.

Vicair B.V. ofrece una garantía limitada que cubre defectos de mano de obra y materiales, siempre y cuando se haya utilizado el producto de forma normal. Quedan excluidos de esta garantía los daños que se deriven de un uso anormal, así como los causados por una manipulación o limpieza inadecuadas, o por negligencia.

Periodo de garantía

Desde la fecha original de compra: 24 meses.
Las SmartCells de este cojín Vicair O2 incluyen garantía de por vida.

Si se detectase algún defecto en los materiales o en la mano de obra dentro del periodo de garantía mencionado anteriormente, Vicair B.V. decidirá si repara o sustituye el producto sin cargo alguno para el usuario. La garantía no incluye la funda. Los recursos por incumplimiento de las garantías expresas se limitan a la reparación o sustitución del producto.

En ningún caso los daños por incumplimiento de la garantía incluirán daños subyacentes o superarán el coste de los productos no conformes vendidos.

¿Desea formular alguna pregunta?

Póngase en contacto con Vicair B.V. en info@vicair.com o a través del distribuidor de Vicair en su país.

Caro cliente,

Obrigado por ter escolhido um produto Vicair®. Temos a certeza de que apreciará a sua simplicidade, fiabilidade e efeito surpreendente. Para uma instalação rápida, pode utilizar o guia de instalação rápida fornecido com a sua almofada. Além disso, leia atentamente e compreenda este manual de utilizador antes de utilizá-la. Guarde o guia de instalação rápida e este manual para referência futura.

Para obter mais informações ou voltar a encomendar manuais, entre em contacto com o distribuidor do seu país.

Visite vicair.com para obter informação sobre os distribuidores.

INTRODUÇÃO

O Vicair Adjuster O2 é um assento de cadeira de rodas que proporciona um nível muito elevado de proteção da pele para pessoas que apresentam elevado risco de desenvolver lesões por pressão. É também um suplemento de alto desempenho no âmbito de um plano de tratamento de lesões por pressão (fase I-IV). O assento Vicair Adjuster O2 pode ser lavado na máquina da roupa sem remover as SmartCells!

INDICAÇÕES

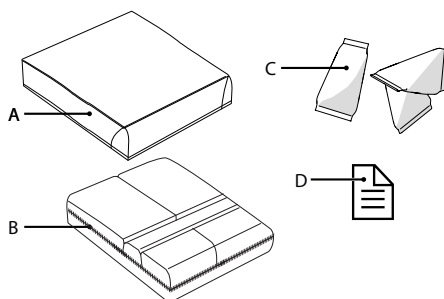
Serve para melhorar a postura corporal de pessoas assimétricas, para prevenir lesões por pressão e proporcionar conforto e apoio corporal estável.

Constitui também um complemento altamente eficaz para um plano de tratamento de úlceras de pressão (fase I-IV).

CONTRAINDICAÇÕES

Quando usado conforme previsto, não existem contra-indicações conhecidas.

PRINCIPAIS COMPONENTES



- A. Capa de almofada
- B. Almofada
- C. SmartCells™
- D. Guia de instalação rápida

ESPECIFICAÇÕES GERAIS DO PRODUTO

Nome do produto:	Vicair Adjuster O2
Fabricado por:	Vicair B.V., Países Baixos
Garantia:	24 meses
Peso (excl. capa almofada):	Tamanho pequeno: 0,5 kg / 1.1 lbs Tamanho médio: 0,8 kg / 1.8 lbs Tamanho maior: 1 kg / 2,2 lbs
Tamanhos disponíveis:	Consulte a grelha na parte posterior do manual

Materiais utilizados:	Todos isentos de látex
Almofada:	Parte superior feita em tecido de poliéster com revestimento de poliuretano, parte inferior em tecido de malha poliéster
Enchimento:	SmartCells cheias de ar com revestimento de baixa fricção
Capa de almofada O2 Top Cover:	Topo: Tecido em malha de poliéster. Borda inferior: Tecido de poliéster com revestimento de poliuretano antiderrapante.

Capas de almofada alternativas:

Capa de almofada Comfair Cover: Topo: Tecido em malha de poliéster. Laterais: Tecido em malha de poliéster 3D. Fundo: Tecido de poliéster com revestimento de poliuretano antiderrapante.

Capas de almofada Incotec Cover e Reversible Cover: Topo: Tecido em malha de poliéster, revestido a poliuretano respirável resistente. Fundo: Tecido de poliéster com revestimento de poliuretano antiderrapante.

Todas as capas: Laváveis na máquina. As capas estão em conformidade com as normas EN1021-1, 1021-2 e CAL117.

PRECAUÇÕES E INSTRUÇÕES DE SEGURANÇA

Uma almofada de assento de cadeira de rodas Vicair só pode ser utilizada como almofada de assento para cadeiras de rodas. A utilização deste produto de qualquer outra forma é considerada como sendo de uso indevido. A

Vicair B.V. não pode ser responsabilizada por danos causados pelo uso indevido, inadequado ou por negligência. Certifique-se de que lê e compreende este manual na íntegra.

Aviso! A Vicair B.V. recomenda a instalação Vicair Adjuster O2 sob a supervisão direta de um terapeuta ou de um profissional de tecnologia de assistência.

Aviso! O cóccix e o osso ilíaco não devem tocar na parte inferior da almofada. A verificação do contacto correto com a parte inferior deve ser efetuada durante a primeira utilização e depois de adaptar o enchimento da almofada.

Aviso! Verifique regularmente se a sua pele apresenta vermelhidão, especialmente durante os primeiros dias. Se ocorrer vermelhidão que não desaparece após 15 minutos, consulte o seu médico ou o profissional de tecnologia de assistência.

Aviso! Vicair B.V. recomenda ajustar o grau de enchimento sob a supervisão direta do seu médico ou o profissional de tecnologia de assistência.

Aviso! Caso se a almofada esteja suja com fluidos corporais, ou ao transferi-la para outro utilizador, esta deve ser desinfetada para evitar a contaminação cruzada.

Aviso! A cada três meses, verifique se o produto está desgastado ou apresenta células vazias. Em caso de danos graves ou se várias células estiverem vazias, deixe de usar o produto. Consulte o seu profissional de tecnologia de assistência.

Cuidado! Não utilize nem deixe o produto próximo de uma chama desprotegida ou fonte de calor a alta temperatura.

Cuidado! Não limpe o produto a vapor nem com autoclave. O produto não é resistente a calor ou pressão excessivos. Se as instruções de limpeza não forem cumpridas, é muito provável que o produto e/ou a cobertura do produto se desgastem mais rapidamente.

Cuidado! Não utilize produtos de limpeza agressivos ou abrasivos nem objetos afiados para limpar a almofada.

Cuidado! Não coloque o topo da almofada Vicair contra o vidro da máquina de lavar.

Cuidado! Certifique-se de que a almofada não interfere com os raios da roda.

Cuidado! Uma lavagem excessiva pode acelerar o desgaste deste produto.

Aviso! O grau de enchimento pode diferir ligeiramente do habitual (ver etiqueta do produto).

INSTALAÇÃO

Aviso! A Vicair B.V. recomenda a instalação Vicair Adjuster O2 sob a supervisão direta de um terapeuta ou de um profissional de tecnologia de assistência.

Cuidado! Certifique-se de que a almofada não interfere com os raios da roda.

Nota! Utilize sempre a almofada com capa.

Nota! Certifique-se de que o assento da cadeira de rodas está limpo e desengordurado.

Sugestão: Se preferir não usar o velcro, pode remover as tiras de velcro. Tenha em atenção que as tiras cosidas à parte inferior da almofada não podem ser removidas.

Execute as seguintes etapas ao usar a Capa de almofada O2 Top Cover

Estes passos correspondem às imagens de instalação 1 – 6 no Quick Installation Guide:

- Verifique o tamanho da almofada. As larguras (X) da almofada e do assento devem corresponder. Quando a almofada está encostada aos apoios de braços ou guardas laterais, a largura pode ser até 2,5 cm (1") mais larga. As profundidades (Y) da almofada e do assento devem corresponder.
- Verifique se o tamanho da capa corresponde ao tamanho da almofada.

- Retire a fita de suporte de proteção das tiras de velcro fixadas na parte inferior da almofada.
- Coloque a almofada pressionando firmemente.
- Coloque a Capa de almofada O2 Top Cover sobre a parte superior da almofada.
- Passe o laço na parte posterior da almofada, através da botoeira, na parte posterior da capa.
- Sente-se sobre a almofada durante alguns minutos, para permitir que a almofada se adapte à forma do seu corpo.
- Se necessário, ajuste o(s) apoio(s) para os pés.

Capa de almofada alternativa

Siga os seguintes passos quando utiliza a capa de almofada Comfair Cover, Incotec Cover ou Reversible Cover.

Nota: A capa de almofada Reversible Cover é fornecida com o lado respirável fresco para fora. Se precisar de usar o lado resistente a líquidos desta capa: primeiro abra completamente o fecho da parte superior da capa do fundo, rode a secção superior do avesso e volte a fechar o fecho sobre o fundo.

- Verifique o tamanho da almofada. As larguras (X) da almofada e do assento devem corresponder. Quando a almofada está encostada aos apoios de braços ou guardas laterais, a largura pode ser até 2,5 cm (1") mais larga. As profundidades (Y) da almofada e do assento devem corresponder.
- Verifique se o tamanho da capa corresponde ao tamanho da almofada.
- Remova as tiras de velcro da parte inferior da almofada. Tenha em atenção que as tiras cosidas à parte inferior da almofada não podem ser removidas.
- Coloque a almofada na capa.

- Passe o aro através do olhal da capa.
- Feche o fecho de correr. Tenha cuidado para não danificar a almofada.
- Retire a fita de suporte de proteção das tiras de velcro fixadas na capa da almofada.
- Coloque a almofada pressionando firmemente.
- Sente-se sobre a almofada durante alguns minutos, para permitir que a almofada se adapte à forma do seu corpo.
- Se necessário, ajuste o(s) apoio(s) para os pés.

Verificação do contacto correto com a parte inferior:

Imagem 7 - Quick Installation Guide

Aviso! O cóccix e o osso íliaco não devem tocar na parte inferior da almofada. A verificação do contacto correto com a parte inferior deve ser efetuada durante a primeira utilização e depois de adaptar o enchimento da almofada.

Aviso! Vicair B.V. recomenda ajustar o grau de enchimento sob a supervisão direta do seu médico ou o profissional de tecnologia de assistência.

- Verifique o contacto correto com a parte inferior depois de se sentar na almofada durante cerca de 5 minutos.
- Deixe o seu médico ou o profissional de tecnologia de assistência deslizar uma mão entre as suas nádegas e a almofada Vicair enquanto se inclina para a frente.
- Peça ao seu médico ou ao profissional de tecnologia de assistência que verifique se os seus ossos inferiores salientes estão a ser apoiados por pelo menos 2,5 cm de SmartCells™. Isto permite impedir o contacto dos ossos com o assento da cadeira de rodas.

- Não utilize a almofada se o contacto com a parte inferior for excedido. Na maioria dos casos, o problema fica resolvido ao adaptar o nível de enchimento dos compartimentos.

UTILIZAÇÃO

Verificação de vermelhidão na pele

Imagem 8 - Quick Installation Guide

Aviso! Verifique regularmente se a sua pele apresenta vermelhidão, especialmente durante os primeiros dias. Se ocorrer vermelhidão que não desaparece após 15 minutos, consulte o seu médico ou o profissional de tecnologia de assistência.

Adaptação do grau de enchimento

Aviso! Vicair B.V. recomenda ajustar o grau de enchimento sob a supervisão direta do seu médico ou o profissional de tecnologia de assistência.

Pronta para a utilização

Este produto Vicair está pronto para ser utilizado. Tem o seu próprio nível de enchimento único, dependendo do tamanho e do modelo. No entanto, se necessário, o nível de enchimento pode ser adaptado acrescentando ou removendo SmartCells aos/dos vários compartimentos. Encontrará informações sobre o nível de enchimento padrão na etiqueta fixada na almofada.

Condições de utilização e armazenamento

Cuidado! Não utilize nem deixe o produto próximo de uma chama desprotegida ou fonte de calor a alta temperatura.

- **Peso do utilizador:**
Mínimo: 15 kg / 33 lbs,
máximo: 250 kg / 551 lbs

- **Temperatura:**
Mínimo: -20 °C / 4 °F,
máximo: 55 °C / 131 °F
- **Utilização em altitudes elevadas**
Nota! A Vicair B.V. recomenda não utilizar a almofada a uma altitude superior a 2400 m (8000 pés) acima do nível do mar ou inferior a 50 m (164 pés) abaixo do nível do mar. Dado que cada SmartCell se encontra preenchida com ar, a almofada pode comportar-se de forma diferente quando utilizada em altitudes elevadas ou num avião. Nestas circunstâncias, a firmeza da almofada pode ser ajustada removendo algumas células de cada compartimento.
- **Humidade do ar:**
Mínimo: 0%, máximo 100%

Afofar diariamente

A Vicair B.V. recomenda afofar diariamente a sua almofada Vicair antes de utilizá-la.

Utilização das almofadas de assento Vicair em veículos motorizados

Sempre que possível, transfira para fora da cadeira de rodas para um assento de veículo instalado pelo fabricante sem a almofada, e utilize o sistema de retenção de ocupantes do veículo testado contra choques. Como alternativa à sua almofada para cadeira de rodas Vicair, pode ser utilizado o Vicair AllRounder O2 (que pode ser fixo ao corpo do utilizador) caso precise de uma proteção adicional num assento de veículo instalado pelo fabricante durante o transporte. Quando a cadeira de rodas é usada como assento no veículo, devem ser cumpridas as regras e os regulamentos aplicáveis em matéria de segurança da cadeira de rodas e do utilizador da mesma durante o transporte.

Não existem dados disponíveis quanto à influência em termos de segurança de uma almofada de cadeira de rodas Vicair utilizada numa cadeira de rodas testada contra choques.

Reutilização – Transferência do produto para outro utilizador

O produto é adequado para uso repetido. O número de vezes que pode ser utilizado depende da frequência e da forma como é utilizado. O produto tem de ser cuidadosamente limpo e desinfetado, antes de permitir o seu uso por outra pessoa. Consulte o capítulo «Manutenção e limpeza» para obter as instruções.

Nota! Certifique-se de que o produto está devidamente adaptado à outra pessoa.

Vida útil esperada

A vida útil esperada deste produto é de cinco anos se usado de acordo com as instruções de segurança, os intervalos de manutenção e a utilização correta indicados neste manual. A vida útil efetiva pode variar de acordo com a frequência e intensidade de utilização.

Substituição da capa da almofada

Em condições de utilização normal, a Vicair B.V. recomenda substituir a almofada anualmente. As capas de substituição podem ser adquiridas separadamente.

Eliminação

A eliminação e reciclagem de dispositivos e embalagens usadas deve ser feita em conformidade com as regulamentações legais aplicáveis. Antes de proceder à sua eliminação, certifique-se de que o produto se encontra limpo, para se evitar quaisquer riscos de contaminação.

MANUTENÇÃO E LIMPEZA

Aviso! A cada três meses, verifique se o produto está desgastado ou apresenta células vazias. Em caso de danos graves ou se várias células estiverem vazias, deixe de usar o produto. Consulte o seu profissional de tecnologia de assistência.

Cuidado! Não limpe o produto com vapor nem trate com autoclave. O produto não foi concebido para suportar calor ou pressão excessiva. Quando as instruções de limpeza fornecidas não são cumpridas, é provável que o produto se desgaste mais rapidamente.

Cuidado! Não utilize produtos de limpeza agressivos ou abrasivos nem objetos afiados para limpar a almofada.

Cuidado! Não coloque o topo da almofada Vicair O2 contra o vidro da máquina de lavar.

Cuidado! Uma lavagem excessiva pode acelerar o desgaste deste produto.

Limpeza da Vicair Adjuster O2

- **Limpeza da capa de almofada Vicair Adjuster O2**

A capa da almofada pode ser lavada na máquina. Siga as instruções de lavagem na etiqueta fixada na parte interna da capa. (60 °C=140 °F)



- **Limpeza da almofada Vicair Adjuster O2**

A sua almofada Vicair O2 pode ser lavada na máquina a 60 °C/140 °F num programa anti vincos com um detergente suave. Não precisa de remover as SmartCells antes de colocar a almofada na máquina de lavar. Certifique-se de

que o topo da almofada não é colocado contra o vidro da máquina de lavar. Não carregue a máquina com um peso superior a metade da sua capacidade máxima. A velocidade de centrifugação deve ser reduzida. Ao utilizar uma máquina com agitador, certifique-se de que a almofada se movimenta livremente dentro do tambor. Não utilize lixívia nem lave a seco! Não coloque a sua almofada Vicair O2 na máquina de secar, deixe-a secar ao ar livre. Pode usar a fita para estender a almofada Vicair O2 num estendal de roupa.



Desinfecção da sua Vicair Adjuster O2

Aviso! Caso a almofada fique suja com fluidos corporais, ou quando é transferida para outro utilizador, deve ser desinfetada para evitar a contaminação cruzada. Limpe a almofada e a capa seguindo as instruções acima. Utilize de preferência um detergente antibacteriano. Depois de limpar, pulverize um agente desinfetante na sua almofada e capa. Dobre os compartimentos para fora para se certificar de que o agente penetra em todos os espaços.

COMUNICAÇÃO DE INCIDENTES GRAVES

Os incidentes graves resultantes da utilização de produtos Vicair devem ser comunicados ao fabricante e à autoridade competente relevante.

GARANTIA

Consulte www.vicair.com para obter informações completas sobre os processos de garantia, termos e condições.

A Vicair B.V. oferece uma garantia limitada contra defeitos de fabrico e materiais, desde que o produto seja utilizado normalmente. Quaisquer danos decorrentes de uma utilização indevida ou causados por um manuseio ou limpeza inadequados, ou por negligência, estão excluídos desta garantia.

Período de garantia

A contar da data original da compra: 24 meses. As SmartCells nesta almofada Vicair O2 têm um período de garantia vitalício.

Caso seja detetado um defeito de material ou mão-de-obra dentro do período de garantia acima indicado, a Vicair B.V. reparará ou substituirá o produto gratuitamente a seu próprio critério. A capa de almofada está excluída desta garantia. Os recursos em caso de violação de garantias expressas no presente documento estão limitados à reparação ou substituição do produto.

As indemnizações por violação de qualquer garantia não incluem, em caso algum, danos consequenciais nem excedem o custo dos produtos vendidos não conformes.

Tem dúvidas?

Contacte a Vicair B.V. em info@vicair.com ou contacte o distribuidor Vicair do seu país.

Gentile cliente,

Grazie per aver scelto un prodotto Vicair®. Siamo sicuri che ne apprezzerete la semplicità, l'affidabilità e la fantastica efficacia. Per una rapida installazione è possibile utilizzare la guida di installazione rapida fornita con il cuscino. Inoltre si consiglia di leggere e comprendere il presente manuale prima dell'uso. Conservare sia la guida di installazione rapida che il presente manuale per farvi riferimento in futuro.

Per maggiori informazioni o per riordinare i manuali, contattare il distributore nel proprio paese.

Visitare vicair.com per eventuali informazioni sui distributori.

INTRODUZIONE

Vicair Adjuster O2 è un cuscino per il sedile della sedia a rotelle che garantisce un elevato livello di protezione cutanea agli utenti soggetti ad un alto rischio di riportare lesioni da decubito. Inoltre, rappresenta un'integrazione ad alte prestazioni per i piani terapeutici delle lesioni da decubito (stadio I-IV). È possibile lavare in lavatrice il cuscino Vicair Adjuster O2 senza rimuovere gli elementi SmartCells.

INDICAZIONI

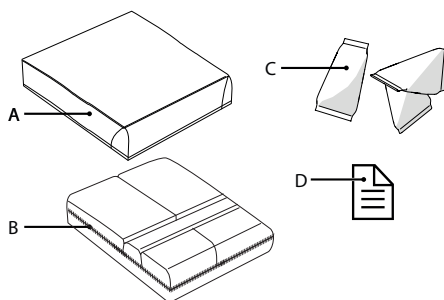
Si utilizza per migliorare la postura del corpo dei soggetti asimmetrici, per evitare lesioni da compressione e per garantire comfort e un sostegno stabile al corpo.

Inoltre è anche una preziosa aggiunta dalle alte prestazioni per i piani terapeutici delle lesioni da decubito (fase I-IV).

CONTROINDICAZIONI

Non sono presenti controindicazioni note in caso di uso conforme alla destinazione d'uso.

COMPONENTI PRINCIPALI



- A. Fodera
- B. Cuscino
- C. SmartCells™
- D. Guida di installazione rapida

SPECIFICHE GENERALI DEL PRODOTTO

Descrizione prodotto	Vicair Adjuster O2
Produttore	Vicair B.V., Paesi Bassi
Garanzia	24 mesi
Peso (escl. fodera)	Taglia piccola: 0,5 kg / 1,1 lbs Taglia media: 0,8 kg / 1,8 lbs Taglia grande: 1 kg / 2,2 lbs
Taglie disponibili	Vedere la griglia sul retro del manuale

Materiali utilizzati	Materiali privi di lattice
Cuscino:	Parte superiore in tessuto di poliestere con rivestimento in poliuretano, parte inferiore in tessuto di poliestere a rete
Imbottitura	Elementi SmartCells riempiti d'aria con rivestimento a basso attrito
Fodera di rivestimento O2	Parte superiore: tessuto tramato in poliestere;
Top Cover:	bordo inferiore: tessuto in poliestere con rivestimento antiscivolo in poliuretano

Fodere del cuscino alternative:

Fodera di rivestimento Comfair Cover: Parte superiore: tessuto in poliestere. Lati: tessuto a maglia tridimensionale in poliestere. Parte inferiore: tessuto in poliestere con rivestimento in poliuretano anti-scivolo.

Fodere di rivestimento Incotec Cover e Reversible Cover: Parte superiore: tessuto a maglia in poliestere rivestito in poliuretano traspirante fluido resistente. Parte inferiore: tessuto in poliestere con rivestimento in poliuretano anti-scivolo.

È possibile lavare tutte le fodere in lavatrice. Le fodere sono conformi a EN1021-1, 1021-2 e CAL117.

PRECAUZIONI E INDICAZIONI DI SICUREZZA

Un cuscino per carrozzine Vicair può essere utilizzato solo per lo scopo previsto. L'utilizzo del prodotto in qualsiasi altro modo è considerato un utilizzo improprio. Vicair B.V. declina ogni responsabilità per danni causati da utilizzo improprio o errato o da negligenza.

Assicurarsi di leggere e comprendere il manuale pienamente.

Attenzione! Vicair B.V. consiglia di installare Vicair Adjuster O2 sotto la diretta supervisione di un terapeuta o di un professionista della tecnologia assistiva.

Attenzione! Il coccige e le ossa del bacino non devono toccare il fondo del cuscino. Il controllo dello "sprofondamento" deve essere eseguito durante il primo utilizzo e quindi dopo ogni regolazione dell'imbottitura del cuscino.

Attenzione! Verificare periodicamente la presenza di arrossamenti cutanei, soprattutto nel corso dei primi giorni. Se si manifesta un arrossamento che non scompare a distanza di 15 minuti, consultare il terapeuta o il professionista della tecnologia assistiva competente.

Attenzione! Vicair B.V. consiglia di regolare il livello d'imbottitura sotto la diretta supervisione dei terapeuti o dei professionisti della tecnologia assistiva competenti.

Attenzione! In caso di contaminazione con i fluidi corporei e di cessione del prodotto ad altri utenti, è obbligatorio disinfettare il prodotto per escludere i casi di contaminazione incrociata.

Avvertenza! Controllare l'usura del prodotto ed eventuali celle sgonfie ogni tre mesi. In caso di danni gravi o di una grande quantità di celle sgonfie, non continuare a utilizzare il prodotto. Consultare il professionista della tecnologia assistiva.

Cautela! Non utilizzare o lasciare il prodotto in prossimità di fiamme aperte o fonti di calore a temperature elevate.

Cautela! Non pulire il prodotto a vapore o sterilizzarlo in autoclave. Il prodotto non è in grado di resistere a valori eccessivi di calore o compressione. Se le istruzioni di pulizia fornite non dovessero essere seguite, è molto probabile che il prodotto e/o la sua fodera si usurino più rapidamente.

Cautela! Non utilizzare né detersivi aggressivi o abrasivi né oggetti affilati per la pulizia del cuscino.

Cautela! Non appoggiare la parte superiore del cuscino Vicair contro il vetro dello sportello della lavatrice.

Cautela! Assicurarsi che il cuscino non possa interferire con i raggi delle ruote.

Attenzione! Lavaggi eccessivi possono influire sull'invecchiamento del prodotto.

Nota! Il grado di imbottitura può differire leggermente dallo standard (vedere etichetta del prodotto).

INSTALLAZIONE

Attenzione! Vicair B.V. consiglia di installare Vicair Adjuster O2 sotto la diretta supervisione di un terapeuta o di un professionista della tecnologia assistiva.

Cautela! Assicurarsi che il cuscino non possa interferire con i raggi delle ruote.

Nota! Utilizzare sempre il cuscino con la fodera.

Nota! Assicurarsi che il sedile della carrozzina sia pulito e sgrassato.

Suggerimento: Se si preferisce non utilizzare il sistema a ganci e occhielli, è possibile rimuovere gli ancoraggi a ganci. Tenere presente che gli ancoraggi presenti sul fondo del cuscino non possono essere rimossi.

Attenersi ai passaggi seguenti per l'uso della fodera di rivestimento O2 Top Cover

I passaggi sono illustrati dalle figure per l'installazione 1 – 6 contenute nella guida rapida.

- Controllare le dimensioni del cuscino. La larghezza (X) del cuscino deve corrispondere a quella del sedile. Quando il cuscino è appoggiato contro i braccioli o i ripari laterali, la larghezza può essere fino a 2,5 cm (1") in eccesso. La profondità (Y) del

cuscino deve corrispondere a quella del sedile.

- Controllare che le dimensioni della fodera corrispondano alle dimensioni del cuscino.
- Rimuovere i nastri protettivi dagli ancoraggi a ganci autoadesivi fissati sul fondo del cuscino.
- Posizionare il cuscino, premendolo saldamente.
- Posizionare la fodera di rivestimento O2 Top Cover sulla parte superiore del cuscino.
- Passare l'anello nella parte posteriore del cuscino attraverso l'asola nella parte posteriore della fodera.
- Sedersi sul cuscino per alcuni minuti per permettere al cuscino di adattarsi alla forma del corpo.
- Se necessario, regolare i poggiatesta.

Fodera alternativa

Eseguire i passaggi seguenti se si utilizza la fodera Comfair Cover, Incotec Cover o Reversible Cover.

Nota: La fodera Reversible Cover viene fornita con il lato traspirante fresco sull'esterno. Se è necessario utilizzare il lato resistente ai fluidi della fodera, per prima cosa aprire completamente la cerniera della parte superiore, separandola dalla sezione inferiore, quindi rivoltare la sezione superiore e fissarla nuovamente alla sezione inferiore con la cerniera.

- Controllare le dimensioni del cuscino. La larghezza (X) del cuscino deve corrispondere a quella del sedile. Quando il cuscino è appoggiato contro i braccioli o i ripari laterali, la larghezza può essere fino a 2,5 cm (1") in eccesso. La profondità (Y) del cuscino deve corrispondere a quella del sedile.
- Controllare che le dimensioni della fodera corrispondano alle dimensioni del cuscino.

- Rimuovere gli ancoraggi a ganci dal fondo del cuscino. Tenere presente che gli ancoraggi presenti sul fondo del cuscino non possono essere rimossi.
- Infilare il cuscino nella fodera.
- Passare il nastro attraverso l'occhiello nella fodera.
- Chiudere la zip. Assicurarsi di non danneggiare il cuscino.
- Rimuovere i nastri protettivi dagli ancoraggi a ganci autoadesivi fissati sul fondo della fodera del cuscino.
- Posizionare il cuscino, premendolo saldamente.
- Sedersi sul cuscino per alcuni minuti per permettere al cuscino di adattarsi alla forma del corpo.
- Se necessario, regolare i poggiatesta.

Controllare che non si verifichi un effetto di "sprofondamento":

Figura 7 - Guida rapida

Attenzione! Il cocchige e le ossa del bacino non devono toccare il fondo del cuscino. Il controllo dello "sprofondamento" deve essere eseguito durante il primo utilizzo e quindi dopo ogni regolazione dell'imbottitura del cuscino.

Attenzione! Vicair B.V. consiglia di regolare il livello d'imbottitura sotto la diretta supervisione dei terapeuti o dei professionisti della tecnologia assistiva competenti.

- Verificare lo sprofondamento dopo aver utilizzato il cuscino per 5 minuti circa.
- Consentire al terapeuta o al professionista della tecnologia assistiva competente di infilare una mano tra le natiche e il cuscino Vicair chinandosi in avanti.
- Richiedere al terapeuta o al professionista della tecnologia assistiva competente di verificare che le sporgenze ossee inferiori siano supportate da almeno 2,5 cm / 1" di

SmartCells™. In questo modo si evita il contatto con il sedile della sedia a rotelle.

- Non utilizzare il cuscino se si verifica lo sprofondamento. Nella maggior parte dei casi il problema può essere risolto regolando il grado di imbottitura dei settori.

USO

Controllo dell'arrossamento della cute

Figura 8 - Guida rapida

Attenzione! Verificare periodicamente la presenza di arrossamenti cutanei, soprattutto nel corso dei primi giorni. Se si manifesta un arrossamento che non scompare a distanza di 15 minuti, consultare il terapeuta o il professionista della tecnologia assistiva competente.

Regolazione del grado di imbottitura

Attenzione! Vicair B.V. consiglia di regolare il livello d'imbottitura sotto la diretta supervisione dei terapeuti o dei professionisti della tecnologia assistiva competenti.

Pronto all'uso

Questo prodotto Vicair è pronto all'uso. Dispone di un suo esclusivo grado di imbottitura, a seconda della dimensione e del modello. Tuttavia, se necessario, il grado di imbottitura può essere regolato rimuovendo o aggiungendo SmartCells nei vari settori. Il grado di imbottitura predefinito è indicato sull'etichetta fissata sul cuscino.

Condizioni di utilizzo e conservazione

Cautela! Non utilizzare o lasciare il prodotto in prossimità di fiamme aperte o fonti di calore a temperature elevate.

- **Peso dell'utente**

Valore minimo: 15 kg / 33 lbs,
valore massimo: 250 kg / 551 lbs

- **Temperatura**

Valore minimo: -20 °C / 4 °F,
valore massimo: 55 °C / 131 °F

- **Uso ad alta quota**

Nota! Vicair B.V. consiglia di non utilizzare il cuscino ad altitudini superiori a 2400 m (8000 ft) sul livello del mare o inferiori a 50 m (164 ft) sotto al livello del mare. Poiché ciascuna SmartCell è riempita d'aria, il cuscino potrebbe comportarsi diversamente se utilizzato ad altitudini elevate o in aereo. In tali circostanze, la rigidità del cuscino può essere regolata rimuovendo alcune celle da ciascun settore.

- **Umidità dell'aria**

Valore minimo: 0%, valore massimo 100%

Cura quotidiana

Vicair B.V. consiglia di dare volume al cuscino Vicair quotidianamente prima dell'utilizzo.

Uso dei cuscini Vicair in veicoli a motore

Ove possibile, trasferire dalla carrozzina al sedile installato da una casa automobilistica senza cuscino e usare il sistema di ritenuta del passeggero sottoposto a crash test.

Alternativamente al cuscino per carrozzina Vicair, è possibile utilizzare il cuscino Vicair Allrounder O2 (che può essere fissato al corpo dell'utente) se durante il trasporto è necessaria una protezione aggiuntiva sul sedile di un veicolo installato da una casa automobilistica. Se la carrozzina viene usata come sedile per veicolo è obbligatorio rispettare le regole e le normative vigenti relative alle modalità di allacciamento della carrozzina e dell'utente durante il trasporto.

Non sono disponibili dati relativi alle conseguenze sulla sicurezza dovute all'uso del cuscino per carrozzina Vicair su una carrozzina sottoposta a crash test.

Riutilizzo - Cessione del prodotto a un altro utente

Il prodotto è adatto ad un impiego ripetuto. Il numero di applicazioni possibili dipende dalla frequenza e dalle modalità con cui si utilizza il prodotto. È necessario sottoporre il prodotto ad operazioni approfondite di pulizia e disinfezione prima di consentirne l'impiego ad altri utenti. Consultare il capitolo "Manutenzione e pulizia" per le istruzioni specifiche.

Nota! Assicurarsi che il prodotto sia regolato correttamente per l'altra persona.

Durata stimata

La durata stimata del prodotto è di cinque anni se usato in conformità con le istruzioni di sicurezza, i periodi di manutenzione e l'uso corretto indicato nel presente manuale. La durata effettiva può variare in base alla frequenza e all'intensità di utilizzo.

Sostituzione della fodera

In normali condizioni d'impiego, Vicair B.V. consiglia di sostituire la fodera ogni anno. È possibile acquistare le fodere di ricambio a parte.

Smaltimento

Le procedure di smaltimento e riciclaggio dei dispositivi usati e dell'imballaggio devono essere conformi alle disposizioni di legge in vigore. Accertarsi di aver pulito il prodotto prima dello smaltimento per escludere eventuali rischi di contaminazione.

MANUTENZIONE E PULIZIA

Avvertenza! Controllare l'usura del prodotto ed eventuali celle sgonfie ogni tre mesi. In caso di danni gravi o di una grande quantità di celle sgonfie, non continuare a utilizzare il prodotto. Consultare il professionista della tecnologia assistiva.

Attenzione! Non pulire il prodotto a vapore, né con un'autoclave. Non è in grado di resistere a calore o pressione eccessivi. Se le istruzioni di pulizia fornite non dovessero essere seguite, è molto probabile che il prodotto si usuri più rapidamente.

Cautela! Non utilizzare né detergenti aggressivi o abrasivi né oggetti affilati per la pulizia del cuscino.

Attenzione! Non appoggiare la parte superiore del cuscino Vicair O2 contro il vetro dello sportello della lavatrice.

Attenzione! Lavaggi eccessivi possono influire sull'invecchiamento del prodotto.

Pulizia di Vicair Adjuster O2

- **Pulizia della fodera Vicair Adjuster O2**

La fodera del cuscino può essere lavata in lavatrice. Seguire le istruzioni di lavaggio presenti sull'etichetta fissata all'interno della fodera.

(60 °C = 140 °F).



- **Pulizia del cuscino Vicair Adjuster O2**

Il cuscino Vicair O2 può essere lavato in lavatrice a 60°C /140°F con un ciclo anti-pieghe e un detergente delicato. Non è necessario rimuovere le SmartCells prima di inserire il cuscino in lavatrice. Assicurarsi che la parte superiore del cuscino non sia appoggiata contro il vetro dello sportello della lavatrice. Non caricare la lavatrice per più della metà del suo carico massimo. Ridurre la velocità di centrifuga. Se si utilizza una macchina con agitatore, assicurarsi che il cuscino possa muoversi liberamente all'interno del tamburo. Non utilizzare candeggina a base di cloro e non lavare a secco! Non asciugare il cuscino Vicair O2 a macchina, ma lasciarlo asciugare all'aria. È possibile utilizzare la fascia per appendere il cuscino Vicair O2 ad asciugare.



Disinfezione di Vicair Adjuster O2

Attenzione! Disinfettare il prodotto per evitare contaminazioni incrociate nel caso il cuscino venga sporcato con fluidi corporei o se lo si cede a un altro utente. Pulire il cuscino e la fodera come indicato sopra. È preferibile utilizzare un detergente antibatterico. Dopo la pulizia, spruzzare del disinfettante sul cuscino e sulla fodera. Piegare i settori verso l'esterno per assicurarsi che lo spray raggiunga tutti gli spazi vuoti.

SEGNALAZIONE DI INCIDENTI GRAVI

Si consiglia di segnalare al produttore e all'autorità competente in materia gli eventuali incidenti gravi dovuti all'utilizzo dei prodotti Vicair.

GARANZIA

Visitare il sito www.vicair.com per avere informazioni complete relative ai processi di garanzia, ai termini e condizioni.

Vicair B.V. offre una garanzia limitata nei confronti di difetti di fabbricazione o dei materiali, a condizione di un utilizzo corretto del prodotto. Eventuali danni derivanti da un impiego errato o da operazioni improprie di manipolazione e pulizia o da negligenza non sono compresi dalla presente garanzia.

Durata della garanzia

La durata della garanzia a decorrere dalla data d'acquisto iniziale è pari a 24 mesi.

Le SmartCell di questo cuscino Vicair O2 sono coperte da garanzia permanente.

In caso di eventuali vizi dei materiali o della produzione riscontrati entro la durata della garanzia precedentemente indicata, Vicair B.V. si riserva il diritto di riparare o sostituire il prodotto a titolo gratuito a propria discrezione. La fodera è esclusa dalla presente garanzia. I risarcimenti in caso di violazione delle esplicite condizioni di garanzia sono limitati alle operazioni di riparazione o sostituzione del prodotto.

In nessun caso gli eventuali risarcimenti riconducibili alla violazione di eventuali condizioni di garanzia comprendono i danni secondari o superano il costo degli articoli non conformi oggetto della vendita.

Domande

È contattare Vicair B.V. all'indirizzo info@vicair.com o consultare il rivenditore Vicair competente del paese d'appartenenza.

Αγαπητέ πελάτη,

Ευχαριστούμε που επιλέξατε το προϊόν Vicair®. Θα εκτιμήσετε σίγουρα την απλότητα, την αξιοπιστία και το εκπληκτικό αποτέλεσμα. Για γρήγορη εγκατάσταση μπορείτε να χρησιμοποιήσετε τον οδηγό γρήγορης εγκατάστασης που παρέχεται με το μαξιλάρι σας. Επίσης, παρακαλούμε διαβάστε και κατανοήστε αυτό το εγχειρίδιο χρήσης πριν την χρήση. Αποθηκεύστε τον οδηγό γρήγορης εγκατάστασης και αυτό το εγχειρίδιο για μελλοντική αναφορά.

Για περισσότερες πληροφορίες ή για να ξαναπαραγγείλετε το εγχειρίδιο, επικοινωνήστε με τον αντιπρόσωπο της χώρας σας. Μεταβείτε στη διεύθυνση vicair.com για πληροφορίες αναφορικά με τον διανομέα.

ΕΙΣΑΓΩΓΗ

Το Vicair Adjuster O2 είναι ένα μαξιλάρι καθίσματος αναπηρικού αμαξιδίου, το οποίο παρέχει υψηλό βαθμό προστασίας στην επιδερμίδα για άτομα υψηλής επικινδυνότητας στη δημιουργία τραυματισμών από έλκος κατάκλισης. Είναι επίσης μια πρόσθεση υψηλής απόδοσης σ' ένα σχέδιο θεραπείας για τον τραυματισμό από έλκος κατάκλισης (στάδιο I-IV). Το μαξιλάρι Vicair Adjuster O2 πλένεται στο πλυντήριο ρούχων χωρίς να αφαιρέσετε τα SmartCells!

ΕΝΔΕΙΞΕΙΣ

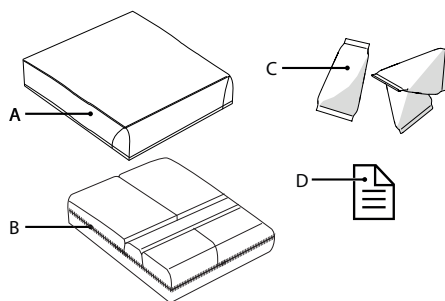
Χρησιμοποιείται για να βελτιώνει τη στάση του σώματος σε άτομα με ασυμμετρία σώματος, για την πρόληψη των τραυματισμών από έλκος

κατάκλισης και για να παρέχει άνεση και σταθερότητα στη στήριξη του σώματος. Είναι επίσης μια πρόσθεση υψηλής απόδοσης σ' ένα σχέδιο θεραπείας για το έλκος κατάκλισης (στάδιο 1-4).

ΑΝΤΕΝΔΕΙΞΕΙΣ

Όταν χρησιμοποιείται για τον σκοπό τον οποίο προορίζεται, δεν υπάρχουν γνωστές αντενδείξεις.

ΚΥΡΙΑ ΣΥΣΤΑΤΙΚΑ



- A. Κάλυμμα μαξιλαριού
- B. Μαξιλάρι
- C. SmartCells™
- D. Οδηγός γρήγορης εγκατάστασης (Quick Installation Guide)

ΓΕΝΙΚΕΣ ΠΡΟΔΙΑΓΡΑΦΕΣ ΠΡΟΪΟΝΤΟΣ

Όνομα προϊόντος: Vicair Adjuster O2

Κατασκευαστής: Vicair B.V., Ολλανδία

Εγγύηση: 24 μήνες

Βάρος (χωρίς το Μικρότερο μέγεθος:

κάλυμμα): 0,5 kg / 1.1 lbs

Μεσαίο μέγεθος:

0,8 kg / 1.8 lbs

Μεγαλύτερο μέγεθος:

1 kg / 2,2 lbs

Διαθέσιμα μεγέθη:	Συμβουλευτείτε τον πίνακα στο πίσω μέρος του εγχειριδίου
Χρησιμοποιούμενα υλικά:	Όλα χωρίς λάτεξ
Μαξιλάρι:	Το πάνω μέρος είναι από πολυεστέρα με περιβλημα πολουρεθάνης, η κάτω πλευρά είναι από πλέγμα πολυεστέρα
Γέμισμα:	SmartCells γέμισμα με αέρα με περιβλημα χαμηλής τριβής
O2 Top Cover κάλυμμα μαξιλαριού:	Πάνω: Πλεκτό ύφασμα από πολυεστέρα. Κάτω άκρη: Ύφασμα πολυεστέρα με αντιολισθητική επένδυση πολουρεθάνης.

Διαφορετικά καλύμματα μαξιλαριού:

Comfair Cover (κάλυμμα μαξιλαριού): Πάνω: Πλεκτό ύφασμα από πολυεστέρα. Πλάγια: Ύφασμα από τρισιδιάστατο πλέγμα πολυεστέρα. Κάτω: Ύφασμα πολυεστέρα με αντιολισθητική επένδυση πολουρεθάνης.
 Incotec Cover & Reversible Cover (καλύμματα μαξιλαριού): Πάνω: Πλεκτό ύφασμα, επένδυση από πολουρεθάνη που αναπνέει για αντοχή στα υγρά. Κάτω: Ύφασμα πολυεστέρα με αντιολισθητική επένδυση πολουρεθάνης.

Όλα τα καλύμματα: Πλένονται στο πλυντήριο. Τα καλύμματα πληρούν τον κανονισμό EN1021-1, 1021-2 και CAL117.

ΠΡΟΦΥΛΑΞΕΙΣ ΚΑΙ ΟΔΗΓΙΕΣ ΑΣΦΑΛΕΙΑΣ

Το μαξιλάρι καθίσματος Vicair για αναπηρικό αμαξίδιο μπορεί να χρησιμοποιηθεί μόνο ως μαξιλάρι καθίσματος για αναπηρικό αμαξίδιο. Οποιαδήποτε άλλη χρήση αυτού του προϊόντος, θεωρείται ακατάλληλη. Η Vicair B.V. δεν φέρει καμία ευθύνη για βλάβες που οφείλονται σε ακατάλληλη, λανθασμένη και αλόγιστη χρήση. Βεβαιωθείτε ότι έχετε διαβάσει και έχετε κατανοήσει πλήρως αυτό το εγχειρίδιο.

Προειδοποίηση! Η Vicair B.V. προτείνει την εγκατάσταση του Vicair Adjuster O2 υπό την άμεση επίβλεψη ενός θεραπευτή ή Επαγγελματία Υποστηρικτικής Τεχνολογίας.

Προειδοποίηση! Ο κόκκυγας και η λεκάνη σας δεν πρέπει να αγγίζουν την κάτω πλευρά του μαξιλαριού. Ο έλεγχος του "bottoming out" πρέπει να πραγματοποιείται κατά την πρώτη χρήση και μετά την ρύθμιση για το γέμισμα του μαξιλαριού.

Προειδοποίηση! Ελέγχετε τακτικά την επιδερμίδα σας για κοκκινίλες, ειδικά κατά τις πρώτες μέρες. Αν εμφανίζονται κοκκινίλες και δεν χάνονται μετά από 15 λεπτά, συμβουλευτείτε τον θεραπευτή ή τον Επαγγελματία Βοηθητικής Τεχνολογίας.

Προειδοποίηση! Το Vicair B.V. συνιστά η ρύθμιση για το γέμισμα να πραγματοποιηθεί υπό την επίβλεψη ενός θεραπευτή ή Επαγγελματία Βοηθητικής Τεχνολογίας.

Προειδοποίηση! Σε περίπτωση ρύπανσης με σωματικά υγρά και κατά τη μεταφορά του προϊόντος σε άλλο χρήστη, το προϊόν πρέπει να απολυμανθεί για να αποφευχθεί διασταυρούμενη μόλυνση.

Προειδοποίηση! Κάθε τρεις μήνες, ελέγχετε το προϊόν για φθορές και ξεφουσκωμένες κυψέλες. Σε περίπτωση σοβαρής βλάβης, ή μεγάλου αριθμού ξεφουσκωμένων κυψελών, σταματήστε να χρησιμοποιείτε το προϊόν.

Συμβουλευτείτε τον Επαγγελματία Βοηθητικής Τεχνολογίας σας.

Προσοχή! Μην χρησιμοποιείτε ή μην αφήνετε το προϊόν κοντά σε γυμνή φλόγα ή πηγή θερμότητας με υψηλή θερμοκρασία.

Προσοχή! Μην καθαρίζετε στον ατμό ή σε κλίβανο αποστείρωσης. Το προϊόν δεν αντέχει σε υπερβολική θερμότητα ή πίεση. Εάν δεν τηρούνται οι οδηγίες καθαρισμού, ενδέχεται το προϊόν και/ή το κάλυμμα του προϊόντος να υποστεί πιο γρήγορα φθορές.

Προσοχή! Μην χρησιμοποιείτε διαβρωτικά ή σκληρά καθαριστικά ή αιχμηρά αντικείμενα για τον καθαρισμό του μαξιλαριού.

Προσοχή! Η πάνω πλευρά του μαξιλαριού Vicair δεν πρέπει να ακουμπάει στο τζάμι της πόρτας πλυντηρίου.

Προσοχή! Βεβαιωθείτε ότι το μαξιλάρι δεν εμποδίζει τις ακτίνες της ρόδας.

Προσοχή! Το υπερβολικό πλύσιμο μπορεί να επηρεάσει την φθορά του προϊόντος.

Σημείωση! Ο βαθμός πλήρωσης μπορεί να παρεκκλίνει ελαφρώς από προεπιλογή (δείτε την ετικέτα του προϊόντος).

ΕΓΚΑΤΑΣΤΑΣΗ

Προειδοποίηση! Η Vicair B.V. προτείνει την εγκατάσταση του Vicair Adjuster O2 υπό την άμεση επίβλεψη ενός θεραπευτή ή Επαγγελματία Υποστηρικτικής Τεχνολογίας.

Προσοχή! Βεβαιωθείτε ότι το μαξιλάρι δεν εμποδίζει τις ακτίνες της ρόδας.

Σημείωση! Να χρησιμοποιείτε πάντα μαξιλάρι με κάλυμμα.

Σημείωση! Βεβαιωθείτε ότι τα κάθισμα του αμαξιδίου είναι καθαρό και έχει απολιπανθεί.

Συμβουλή: Αν δεν θέλετε να χρησιμοποιήσετε το άγκιστρο και τη θηλιά, μπορείτε να αφαιρέσετε τα αυτοκόλλητα άγκιστρα. Οι ταινίες που βρίσκονται στην κάτω πλευρά του μαξιλαριού δεν αφαιρούνται.

Πραγματοποιήστε τα παρακάτω βήματα όταν χρησιμοποιείτε το O2 Top Cover

Αυτά τα βήματα αντιστοιχούν στις εικόνες εγκατάστασης 1 – 6 του Quick Installation Guide:

- Ελέγξτε το μέγεθος μαξιλαριού. Το πλάτος (X) του μαξιλαριού πρέπει να αντιστοιχεί στο κάθισμα. Όταν το μαξιλάρι βρίσκεται ανάμεσα σε χέρια πολυθρόνας ή πλάγια προστατευτικά, το πλάτος μπορεί να είναι έως 2,5 cm. Το βάθος (Y) του μαξιλαριού πρέπει να αντιστοιχεί στο κάθισμα.
- Ελέγξτε ότι το μέγεθος του καλύμματος αντιστοιχεί στο μέγεθος του μαξιλαριού.
- Απομακρύνετε την προστατευτική ταινία διπλής όψης από τα αυτοκόλλητα άγκιστρα που βρίσκονται στην κάτω πλευρά του μαξιλαριού.
- Τοποθετήστε το μαξιλάρι πιέζοντας καλά.
- Τοποθετήστε το O2 Top Cover πάνω από το μαξιλάρι.
- Περάστε τη θηλιά στην πίσω πλευρά του μαξιλαριού μέσα από την κουμπότρυπα στην πίσω πλευρά του καλύμματος.
- Καθίστε στο μαξιλάρι για μερικά λεπτά, για να επιτρέψετε στον αέρα μέσα στο μαξιλάρι να προσαρμοστεί στο σχήμα του σώματός σας.
- Αν χρειάζεται, ρυθμίστε το(α) υποπόδιο(α).

Εναλλακτικό κάλυμμα μαξιλαριού

Πραγματοποιήστε τα παρακάτω βήματα όταν χρησιμοποιείτε τα καλύμματα μαξιλαριού Comfair Cover, Incotec Cover ή Reversible Cover.

Προσοχή: Το κάλυμμα μαξιλαριού Reversible Cover παραδίδεται με την δροσερή πλευρά που αναπνέει να είναι στην εξωτερική πλευρά. Αν χρειάζεστε την πλευρά του μαξιλαριού με αντοχή στα υγρά: πρώτα ανοίξτε πλήρως το φερμουάρ της πάνω πλευράς του καλύμματος από την κάτω πλευρά, αναποδογυρίστε την πάνω πλευρά και ξανά κλείστε το φερμουάρ στην κάτω πλευρά.

- Ελέγξτε το μέγεθος μαξιλαριού. Το πλάτος (X) του μαξιλαριού πρέπει να αντιστοιχεί στο κάθισμα. Όταν το μαξιλάρι βρίσκεται ανάμεσα σε χέρια πολυθρόνας ή πλάγια προστατευτικά, το πλάτος μπορεί να είναι έως 2,5 cm. Το βάθος (Y) του μαξιλαριού πρέπει να αντιστοιχεί στο κάθισμα.
- Ελέγξτε ότι το μέγεθος του καλύμματος αντιστοιχεί στο μέγεθος του μαξιλαριού.
- Αφαιρέστε τα αυτοκόλλητα άγκιστρα από την κάτω πλευρά του μαξιλαριού. Οι ταινίες που βρίσκονται στην κάτω πλευρά του μαξιλαριού δεν αφαιρούνται.
- Εισάγετε το μαξιλάρι στο κάλυμμα.
- Περάστε τη θηλιά μέσα από τον κρίκο στο κάλυμμα.
- Κλείσιμο με φερμουάρ. Βεβαιωθείτε ότι δεν προκαλείτε βλάβη στο μαξιλάρι.
- Απομακρύνετε την προστατευτική ταινία διπλής όψης από τα αυτοκόλλητα άγκιστρα που βρίσκονται στο κάλυμμα μαξιλαριού.
- Τοποθετήστε το μαξιλάρι πιέζοντας καλά.
- Καθίστε στο μαξιλάρι για μερικά λεπτά, για να επιτρέψετε στον αέρα μέσα στο μαξιλάρι να προσαρμοστεί στο σχήμα του σώματός σας.
- Αν χρειάζεται, ρυθμίστε το(α) υποπόδιο(α).
- Ελέγξτε για bottoming out, μόλις καθίσετε στο μαξιλάρι για περίπου 5 λεπτά.
- Ενώ γέρνετε προς τα εμπρός, επιτρέψτε στον θεραπευτή σας ή τον Επαγγελματία Βοηθητικής Τεχνολογίας σας να γλιστρήσει το χέρι του ανάμεσα στους γλουτούς σας και το μαξιλάρι Vicair .
- Ζητήστε από τον θεραπευτή ή τον Επαγγελματία Βοηθητικής Τεχνολογίας σας να ελέγξουν αν τα χαμηλότερα οστικά σας εξογκώματα στηρίζονται τουλάχιστον 2,5 cm από τα SmartCells™. Αυτό τα εμποδίζει να αγγίζουν το κάθισμα του αμαξιδίου.
- Μην χρησιμοποιείτε το μαξιλάρι αν προκύψει bottoming out. Στις περισσότερες περιπτώσεις, η ρύθμιση για το γέμισμα των θαλάμων λύνει το πρόβλημα.

ΧΡΗΣΗ

Έλεγχος για κοκκίνιες στην επιδερμίδα

Εικόνα 8 - Quick Installation Guide

Προειδοποίηση! Ελέγχετε τακτικά την επιδερμίδα σας για κοκκίνιες, ειδικά κατά τις πρώτες μέρες. Αν εμφανίζονται κοκκίνιες και δεν χάνονται μετά από 15 λεπτά, συμβουλευτείτε τον θεραπευτή ή τον Επαγγελματία Βοηθητικής Τεχνολογίας.

Ρύθμιση για το γέμισμα

Προειδοποίηση! Το Vicair B.V. συνιστά η ρύθμιση για το γέμισμα να πραγματοποιηθεί υπό την επίβλεψη ενός θεραπευτή ή Επαγγελματία Βοηθητικής Τεχνολογίας.

Έτοιμο για χρήση

Το προϊόν Vicair είναι έτοιμο για χρήση. Έχει το δικό του μοναδικό γέμισμα, σύμφωνα με το μέγεθος και το μοντέλο. Ωστόσο - αν χρειάζεται, το γέμισμα μπορεί να ρυθμιστεί αφαιρώντας ή προσθέτοντας SmartCells από/προς τους διάφορους θαλάμους. Μπορείτε να βρείτε την προεπιλεγμένη ρύθμιση για γέμισμα στην ετικέτα του μαξιλαριού.

Έλεγχος για “bottoming out”:

Εικόνα 7 - Quick Installation Guide

Προειδοποίηση! Ο κόκκυγας και η λεκάνη σας δεν πρέπει να αγγίζουν την κάτω πλευρά του μαξιλαριού. Ο έλεγχος του “bottoming out” πρέπει να πραγματοποιείται κατά την πρώτη χρήση και μετά την ρύθμιση για το γέμισμα του μαξιλαριού.

Προειδοποίηση! Το Vicair B.V. συνιστά η ρύθμιση για το γέμισμα να πραγματοποιηθεί υπό την επίβλεψη ενός θεραπευτή ή Επαγγελματία Βοηθητικής Τεχνολογίας.

Συνθήκες χρήσης και αποθήκευσης

Προσοχή! Μην χρησιμοποιείτε ή μην αφήνετε το προϊόν κοντά σε γυμνή φλόγα ή πηγή θερμότητας με υψηλή θερμοκρασία.

- **Βάρος χρήστη:**
Ελάχιστο: 15 kg / 33 lbs,
μέγιστο: 250 kg / 551 lbs
- **Θερμοκρασία:**
Ελάχιστο: -20 °C / 4 °F,
μέγιστο: 55 °C / 131 °F
- **Χρήση σε μεγάλο υψόμετρο**
Σημείωση! Η Vicair B.V. συνιστά να μην χρησιμοποιείτε το μαξιλάρι στα 2.400 μ (8.000 ft) πάνω από το επίπεδο της θάλασσας ή στα 50 μ (164 ft) κάτω από το επίπεδο της θάλασσας. Επειδή το κάθε SmartCell περιέχει αέρα, το μαξιλάρι μπορεί να συμπεριφερθεί διαφορετικά όταν χρησιμοποιείται σε μεγάλο υψόμετρο ή σ' ένα αεροπλάνο. Υπό αυτές τις συνθήκες, μπορείτε να ρυθμίσετε την σταθερότητα του μαξιλαριού αφαιρώντας μερικές κυψέλες από κάθε θάλαμο.
- **Υγρασία του αέρα:**
Ελάχιστη: 0%, μέγιστη: 100%

Καθημερινό γέμισμα

Η Vicair B.V. συνιστά να γεμίζετε το μαξιλάρι Vicair πριν από τη χρήση σε καθημερινή βάση.

Χρήση του μαξιλαριού καθίσματος Vicair σε ηλεκτρικά αμαξίδια

Όποτε είναι δυνατόν, βγάλτε το από την αναπηρική καρέκλα και μέσα σε ένα κάθισμα οχήματος εγκατεστημένο από τον κατασκευαστή χωρίς το μαξιλάρι, και χρησιμοποιήστε το σύστημα συγκράτησης του επιβάτη του τεστ σύγκρουσης του οχήματος. Στη θέση του μαξιλαριού καθίσματος Vicair για αναπηρικό αμαξίδιο, μπορεί να χρησιμοποιηθεί το Vicair AllRounder O2 (το οποίο μπορεί να προσδεθεί στο σώμα του χρήστη) αν απαιτείται

επιπλέον ασφάλεια κατά την μεταφορά σε κάθισμα οχήματος τοποθετημένο από τον κατασκευαστή.

Όταν το αναπηρικό αμαξίδιο χρησιμοποιείται σαν κάθισμα οχήματος, πρέπει να τηρούνται οι ισχύοντες κανόνες και κανονισμοί σχετικά με την ασφάλεια του αναπηρικού αμαξιδίου και τον χρήστη του αναπηρικού αμαξιδίου κατά τη μεταφορά.

Δεν υπάρχουν διαθέσιμα δεδομένα σχετικά με την επίδραση στην ασφάλεια ενός μαξιλαριού για αναπηρικό αμαξίδιο Vicair που χρησιμοποιείται σε ένα αναπηρικό αμαξίδιο με τεστ σύγκρουσης.

Επαναχρησιμοποίηση - Όταν μεταφέρετε το προϊόν σε κάποιον άλλον χρήστη

Το προϊόν είναι κατάλληλο για επαναλαμβανόμενη χρήση. Ο αριθμός των φορών που μπορεί να χρησιμοποιηθεί εξαρτάται από την συχνότητα και τον τρόπο που χρησιμοποιείται το προϊόν. Ο καθαρισμός και η απολύμανση του προϊόντος πρέπει να πραγματοποιείται σε βάθος, προτού επιτρέψετε να χρησιμοποιηθεί από άλλο άτομο. Δείτε το κεφάλαιο "Συντήρηση και καθαρισμός" για τις οδηγίες.

Σημείωση! Βεβαιωθείτε ότι το προϊόν έχει ρυθμιστεί σωστά στο άλλο άτομο.

Αναμενόμενη διάρκεια ζωής

Η αναμενόμενη διάρκεια ζωής του προϊόντος είναι πέντε χρόνια όταν χρησιμοποιείται σύμφωνα με τις οδηγίες ασφάλειας, τα χρονικά διαστήματα συντήρησης και την ορθή χρήση που αναγράφεται στο εγχειρίδιο.

Ο αποτελεσματική διάρκεια ζωής μπορεί να διαφέρει ανάλογα τη συχνότητα και την έντονη χρήση.

Αντικατάσταση του καλύμματος μαξιλαριού

Υπό κανονικές συνθήκες, η Vicair B.V. σας προτείνει να αλλάζετε το κάλυμμα μαξιλαριού κάθε χρόνο. Μπορείτε να προμηθευτείτε χωριστά τα καλύμματα αντικατάστασης.

Απόρριψη

Η απόρριψη και η ανακύκλωση των χρησιμοποιημένων συσκευών και συσκευασιών πρέπει να πληροί τον ισχύοντα κανονισμό. Βεβαιωθείτε ότι το προϊόν είναι καθαρό προτού το απορρίψετε για να εμποδίσετε τον κίνδυνο μόλυνσης.

ΣΥΝΤΗΡΗΣΗ ΚΑΙ ΚΑΘΑΡΙΣΜΟΣ

Προειδοποίηση! Κάθε τρεις μήνες, ελέγχετε το προϊόν για φθορές και ξεφουσκωμένες κυψέλες. Σε περίπτωση σοβαρής βλάβης, ή μεγάλου αριθμού ξεφουσκωμένων κυψελών, σταματήστε να χρησιμοποιείτε το προϊόν. Συμβουλευτείτε τον Επαγγελματία Βοηθητικής Τεχνολογίας σας.

Προσοχή! Μην καθαρίζετε στον ατμό ή σε κλίβανο αποστείρωσης. Το προϊόν δεν αντέχει σε υπερβολική θερμότητα ή πίεση. Εάν δεν τηρούνται οι οδηγίες καθαρισμού, ενδέχεται το προϊόν και/ή το κάλυμμα του προϊόντος να υποστεί πιο γρήγορα φθορές.

Προσοχή! Μην χρησιμοποιείτε διαβρωτικά ή σκληρά καθαριστικά ή αιχμηρά αντικείμενα για τον καθαρισμό του μαξιλαριού.

Προσοχή! Η πάνω πλευρά του μαξιλαριού Vicair O2 δεν πρέπει να ακουμπάει στο τζάμι της πόρτας πλυντηρίου.

Προσοχή! Το υπερβολικό πλύσιμο μπορεί να επηρεάσει την φθορά του προϊόντος.

Καθαρισμός του Vicair Adjuster O2

• Καθαρισμός του καλύμματος μαξιλαριού Vicair Adjuster O2

Το κάλυμμα μαξιλαριού πλένεται στο πλυντήριο. Ακολουθήστε τις οδηγίες πλύσης στην ετικέτα που βρίσκεται μέσα στο κάλυμμα. (60 °C=140 °F)



• Καθαρισμός του μαξιλαριού Vicair Adjuster O2

Το μαξιλάρι Vicair O2 πλένεται στο πλυντήριο ρούχων στους 60°C / 140 °F σε πρόγραμμα για εύκολο σιδέρωμα και με ήπιο απορρυπαντικό. Δεν χρειάζεται να αφαιρέσετε τα SmartCells για να βάλτε το μαξιλάρι στο πλυντήριο ρούχων. Η πάνω πλευρά του μαξιλαριού δεν πρέπει να ακουμπάει στο τζάμι της πόρτας πλυντηρίου. Μην γεμίζετε το πλυντήριο με πάνω από το μισό του επιτρεπόμενου φορτίου ρούχων. Η ταχύτητα περιστροφής πρέπει να είναι μειωμένη. Αν χρησιμοποιείτε ένα πλυντήριο με ανακίνηση, βεβαιωθείτε ότι το μαξιλάρι μετακινείται ελεύθερα μέσα στον κάδο. Μην χρησιμοποιείτε χλωρίνη και μην πραγματοποιείτε στεγνό καθάρισμα! Μην χρησιμοποιείτε στεγνωτήριο ρούχων για το μαξιλάρι Vicair O2, αφήστε το να στεγνώσει στον αέρα (5-6 ώρες). Μπορείτε να χρησιμοποιήσετε τον κρίκο για να κρεμάσετε το μαξιλάρι Vicair O2.



Απολύμανση του Vicair Adjuster O2

Προειδοποίηση! Σε περίπτωση που λερωθεί με σωματικά υγρά, και όταν μεταφέρετε το προϊόν σε κάποιον άλλον χρήστη, πρέπει να το απολυμαίνετε για να εμποδίσετε την διασταυρούμενη επιμόλυνση. Καθαρίστε το μαξιλάρι και το κάλυμμα σύμφωνα με τις παραπάνω οδηγίες. Χρησιμοποιείτε καλύτερα ένα αντιβακτηριακό απορρυπαντικό. Μετά τον καθαρισμό, ψεκάστε το μαξιλάρι και το κάλυμμα με ένα προϊόν απολύμανσης. Λυγίστε προς τα έξω τους θαλάμους για να βεβαιωθείτε ότι το σπρέι πηγαίνει σ' όλα τα κενά.

ΑΝΑΦΟΡΑ ΣΟΒΑΡΩΝ ΑΤΥΧΗΜΑΤΩΝ

Τα σοβαρά ατυχήματα λόγω της χρήσης των προϊόντων Vicair πρέπει να αναφέρονται στον κατασκευαστή και την αντίστοιχη αρμόδια αρχή.

ΕΓΓΥΗΣΗ

Παρακαλούμε δείτε στο www.vicair.com όλες τις πληροφορίες σχετικά με τις διαδικασίες εγγύησης, τους όρους και τις προϋποθέσεις. Η Vicair B.V. προσφέρει περιορισμένη εγγύηση σε ελαττώματα λόγω κατασκευής και υλικών, υπό την προϋπόθεση ότι το προϊόν χρησιμοποιείται κανονικά. Κάθε βλάβη που προκύπτει λόγω ακατάλληλης χρήσης, ή μη σωστού χειρισμού, καθαρισμού ή αμέλειας, δεν περιλαμβάνεται σε αυτή την εγγύηση.

Περίοδος εγγύησης

Από την αρχική ημερομηνία αγοράς: 24 μήνες.
Τα SmartCells στο μαξιλάρι Vicair O2 έχουν εγγύηση εφόρου ζωής.

Σε περίπτωση που προκύψει κάποιο ελάττωμα στα υλικά ή στην κατασκευή εντός της παραπάνω αναφερόμενης περιόδου εγγύησης, η Vicair B.V. - με δική της απόφαση - θα επιδιορθώσει ή θα αντικαταστήσει το προϊόν χωρίς καμία χρέωση. Το κάλυμμα μαξιλαριού δεν περιλαμβάνεται στην εγγύηση. Το κάλυμμα μαξιλαριού δεν περιλαμβάνεται στην εγγύηση. Τα μέσα προσφυγής για παράβαση των ρητών εγγυήσεων στο παρόν έγγραφο περιορίζονται στην επιδιόρθωση ή την αντικατάσταση του προϊόντος.

Σε καμία περίπτωση οι ζημίες από την παραβίαση οποιασδήποτε εγγύησης δεν θα περιλαμβάνουν τυχόν επακόλουθη ζημία ούτε θα υπερβαίνουν το κόστος των μη συμμορφούμενων αγαθών που έχουν πουληθεί.

Κάποια ερώτηση;

Επικοινωνήστε με την Vicair B.V. στο info@vicair.com ή με τον αντιπρόσωπο της Vicair στη χώρα σας.

Poštovani korisniče,

Zahvaljujemo Vam na kupnji proizvoda Vicair®. Sigurni smo da ćete cijeniti jednostavnost, pouzdanost i fantastičan učinak. Za brzu ugradnju možete koristiti priručnik za brzu ugradnju koji dolazi uz Vaš jastuk. Također vas molimo da pročitate i proučite ovaj korisnički priručnik prije uporabe. Priručnik za brzu ugradnju i ovaj priručnik sačuvajte za buduću uporabu.

Za više informacija ili za (ponovnu) narudžbu priručnika, kontaktirajte distributera u svojoj državi.

Za informacije o distributeru idite na web-mjesto vicair.com.

UVOD

Vicair Adjuster O2 jest jastuk za sjedala invalidskih kolica kojim se pruža vrlo visoka razina zaštite kože osobama izloženima visokom riziku od nastanka ozljeda zbog pritiska. Također je to visokoučinkovit dodatak planu za liječenje ozljeda zbog pritiska (stupanj I – IV). Jastuk Vicair Adjuster O2 može se prati u perilici, a da se ne uklanjaju spremnici za SmartCells!

INDIKACIJE

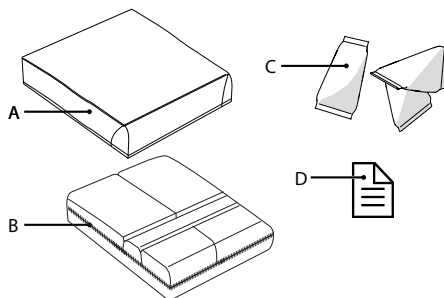
Upotrebljava se za poboljšanje držanja tijela asimetričnih osoba, za sprječavanje ozljeda zbog pritiska te pružanje udobnosti i stabilne potpore tijelu.

Također predstavlja visokoučinkovit dodatak planu za liječenje dekubitusa (I.-IV. stupanj).

KONTRAINDIKACIJE

Kada se upotrebljava u skladu s namjenom, ne postoje poznate kontraindikacije.

GLAVNE KOMPONENTE



- A. Navlaka za jastuk
- B. Jastuk
- C. SmartCells™
- D. Priručnik za brzu ugradnju

OPĆE KARAKTERISTIKE PROIZVODA

Naziv proizvoda:	Vicair Adjuster O2
Proizvodi:	Vicair B.V., Nizozemska
Jamstvo:	24 mjeseca
Težina (bez navlake):	Najmanja veličina: 0,5 kg / 1.1 lbs Srednja veličina: 0,8 kg / 1.8 lbs Najveća veličina: 1 kg / 2,2 lbs
Dostupne veličine:	Pogledajte tablicu na stražnjem dijelu priručnika
Korišteni materijali:	sve bez lateksa

Jastuk:	Vrh je izrađen od polieterske tkanine s poliuretanskom oblogom, dno je izrađeno od polieterske mrežaste tkanine
Punjenje:	čelije punjene zrakom SmartCells s oblogom niske razine trenja
O2 Gornja navlaka:	Gornji dio: Pletena tkanina od polietera. Obod na dnu: polietersko platno s poliuretanskom protukliznom oblogom.

Alternativne navlake za jastuk:

Comfair Cover navlaka za jastuk: Gornji dio:

Pletena tkanina od polietera. Strane:

Polieterska 3D mrežasta tkanina. Donji dio:

polietersko platno s poliuretanskom protukliznom oblogom.

Incotec Cover i Reversible Cover navlaka za

jastuk: Gornji dio: Pletena tkanina od polietera, obložena prozračnim poliuretanom otpornim na tekućine. Donji dio: polietersko platno s poliuretanskom protukliznom oblogom.

Sve navlake: perive u perilici rublja. Navlake su u skladu s normama EN1021-1, 1021-2 i CAL117.

MJERE OPREZA I SIGURNOSNE UPUTE

Jastuk za sjedalo za invalidska kolica Vicair može se koristiti isključivo u tu svrhu. Uporaba ovog proizvoda na bilo koji drugi način smatra se pogrešnom uporabom. Vicair B.V. ne može se smatrati odgovornim za štetu nastalu uslijed pogrešne i neodgovarajuće uporabe ili nemara. Svakako se pobrinite da pročitate i razumijete ovaj priručnik u cijelosti.

Upozorenje! Vicair B.V. preporučuje postavljanje Vicair Adjuster O2 pod izravnim nadzorom terapeuta ili Assistive Technology Professional (stručnjaka za pomoćnu tehnologiju).

Upozorenje! Vaša trtična kost ili karlične kosti ne bi trebale dodirivati dno jastuka. Tijekom prve uporabe trebalo bi provjeriti "bottoming out" te nakon prilagodbe punjenju jastuka.

Upozorenje! Redovito provjeravajte postoji li crvenilo kože, posebice tijekom prvih nekoliko dana. Ako se pojavi crvenilo i ne nestaje nakon 15 minuta, posavjetujte se sa svojim terapeutom ili stručnjakom za asistivnu tehnologiju.

Upozorenje! Vicair B.V. preporučuje prilagodbu stupnja punjenja pod izravnim nadzorom vašeg terapeuta ili stručnjaka za asistivnu tehnologiju.

Upozorenje! U slučaju zaprljanja tjelesnim tekućinama i prilikom prijenosa proizvoda drugom korisniku, proizvod se mora dezinficirati kako bi se izbjegla međusobna kontaminacija.

Upozorenje! Svaka tri mjeseca provjerite istrošenost proizvoda i ispuhane stanice. U slučaju ozbiljnog oštećenja ili velikog broja ispuhanih stanica, nemojte nastaviti s korištenjem proizvoda. Posavjetujte se sa svojim stručnjakom za asistivnu tehnologiju.

Opres! Nemojte koristiti ili ostavljati proizvod u blizini otvorenog plamena ili izvora visoke temperature.

Opres! Nemojte čistiti proizvod parom ili autoklavanjem. Proizvod ne može izdržati prekomjernu vrućinu ni pritisak. Ako se dane upute za čišćenje ne poštuju, vrlo je vjerojatno da će proizvod i/ili poklopci proizvoda brže starjeti.

Opres! Nemojte koristiti agresivna ili abrazivna sredstva za čišćenje ili oštre predmete za čišćenje jastuka.

Opres! Nemojte stavljati gornju stranu Vicair jastuka okrenutu prema staklu na vratima perilice.

Oprez! Pazite da jastuk ne ulazi u šipke kotača.

Oprez! Prekomjerno pranje može utjecati na starenje ovog proizvoda.

Napomena! Stupanj punjenja može blago odstupati od zadane vrijednosti (pogledajte naljepnicu proizvoda).

UGRADNJA

Upozorenje! Vicair B.V. preporučuje postavljanje Vicair Adjuster O2 pod izravnim nadzorom terapeuta ili Assistive Technology Professional (stručnjaka za pomoćnu tehnologiju).

Oprez! Pazite da jastuk ne ulazi u šipke kotača.

Napomena! Uvijek koristite jastuk s navlakom.

Napomena! Pazite da sjedalo invalidskih kolica bude čisto i bez masnoća.

Savjet: kada ne želite koristiti kuku i omču, možete ukloniti trake za kuku. Imajte na umu da trake na dnu jastuka nije moguće ukloniti.

Prilikom korištenja O2 Top Cover navlake za jastuk, izvršite sljedeće korake

Ovi koraci odgovaraju slikama za postavljanje 1 – 6 u vodiču za brzo postavljanje:

- Provjerite veličinu jastuka. Širina (X) jastuka i sjedala trebale bi odgovarati. Kada je jastuk naslonjen na rukonaslone ili bočne štitnike, širina može biti do 2,5 cm (1") veća. Dubina (X) jastuka i sjedala trebale bi odgovarati.
- Provjerite odgovara li veličina navlake veličini jastuka.
- Uklonite zaštitnu traku sa samoljepljivih traka za kuku pričvršćenih na dno jastuka.
- Postavite jastuk čvrsto pritišćući.
- Postavite O2 Top Cover navlaku za jastuk na vrh jastuka.
- Provucite petlju sa stražnje strane jastuka kroz "otvor za gumb" na stražnjem dijelu navlake.
- Sjedite na jastuku nekoliko minuta kako biste omogućili da se jastuk prilagodi obliku Vašeg tijela.

- Ako je potrebno, podesite naslon(e) za noge.

Zamjenska navlaka za jastuk

Obavite sljedeće korake kada koristite Comfair Cover, Incotec Cover ili Reversible Cover navlaku za jastuk.

Imajte na umu: Reversible Cover navlaka za jastuk isporučuje se s hladnom prozračnom vanjskom stranom. Ako vam treba strana ove navlake za jastuk koja je otporna na tekućine: najprije potpuno otvorite gornji dio navlake od donjeg dijela, okrenite naopačke gornji dio i ponovno ga zatvorite do donjeg dijela.

- Provjerite veličinu jastuka. Širina (X) jastuka i sjedala trebale bi odgovarati. Kada je jastuk naslonjen na rukonaslone ili bočne štitnike, širina može biti do 2,5 cm (1") veća. Dubina (X) jastuka i sjedala trebale bi odgovarati.
- Provjerite odgovara li veličina navlake veličini jastuka.
- Uklonite trake za kuku s dna jastuka. Imajte na umu da trake na dnu jastuka nije moguće ukloniti.
- Umetnite jastuk u navlaku.
- Provedite petlju kroz očicu u navlaci.
- Zatvorite patent zatvarač. Pazite da ne oštetite jastuk.
- Uklonite zaštitnu traku sa samoljepljivih traka za kuku pričvršćenih na navlaku za jastuk.
- Postavite jastuk čvrsto pritišćući.
- Sjedite na jastuku nekoliko minuta kako biste omogućili da se jastuk prilagodi obliku Vašeg tijela.
- Ako je potrebno, podesite naslon(e) za noge.

Provjera "pražnjenja":

Slika 7 - Quick Installation Guide

Upozorenje! Vaša trtična kost ili karlične kosti ne bi trebale dodirivati dno jastuka. Tijekom prve uporabe trebalo bi provjeriti "bottoming out" te nakon prilagodbe punjenju jastuka.

Upozorenje! Vicair B.V. preporučuje prilagodbu stupnja punjenja pod izravnim nadzorom vašeg terapeuta ili stručnjaka za asistivnu tehnologiju.

- Provjerite je li se jastuk ispraznio nakon što ste na njemu sjedili otprilike 5 minuta.
- Svom terapeutu ili stručnjaku za asistivnu tehnologiju dopustite da rukom sklizne između vaše stražnjice i jastuka Vicair dok se nagnjete prema naprijed.
- Pitajte svog terapeuta ili stručnjaka za asistivnu tehnologiju da provjeri podupire li se vaše najniže koštane izbočine slojem SmartCells™ od najmanje 2,5 cm / 1". Time se sprječava da kosti dodiruju sjedalo invalidskih kolica.
- Nemojte koristiti jastuk ako dođe do pražnjenja. U većini slučajeva, podešavanje stupnja punjenja odjeljaka riješit će problem.

UPORABA

Provjera crvenila kože

Slika 8 - Quick Installation Guide

Upozorenje! Redovito provjeravajte postoji li crvenilo kože, posebice tijekom prvih nekoliko dana. Ako se pojavi crvenilo i ne nestaje nakon 15 minuta, posavjetujte se sa svojim terapeutom ili stručnjakom za asistivnu tehnologiju.

Podešavanje stupnja punjenja

Upozorenje! Vicair B.V. preporučuje prilagodbu stupnja punjenja pod izravnim nadzorom vašeg terapeuta ili stručnjaka za asistivnu tehnologiju.

Spremno za uporabu

Ovaj Vicair proizvod spreman je za uporabu. Ima svoj vlastiti jedinstveni stupanj punjenja, ovisno o veličini i modelu. Ipak - ako je nužno, stupanj punjenja moguće je podešavati uklanjanjem ili dodavanjem SmartCells iz/u

različite odjeljke. Zadani stupanj punjenja možete pronaći na oznaci pričvršćenoj na jastuk.

Uvjeti uporabe i čuvanja

Oprez! Nemojte koristiti ili ostavljati proizvod u blizini otvorenog plamena ili izvora visoke temperature.

• **Težina korisnika:**

Minimalno: 15 kg / 33 lbs,
maksimalno: 250 kg / 551 lbs

• **Temperatura:**

Minimalno: -20 °C / 4 °F,
maksimalno: 55 °C / 131 °F

• **Uporaba na velikoj visini**

Napomena! Vicair B.V. ne preporučuje korištenje jastuka na nadmorskoj visini iznad 2400 m (8000 stopa (ft)) ili nižoj od 50 m (164 ft). Budući da je svaka ćelija SmartCell ispunjena zrakom, jastuk se može drugačije ponašati prilikom korištenja na velikoj visini ili u zrakoplovu. Pod takvim okolnostima, čvrstoću jastuka moguće je podesiti uklanjanjem nekoliko ćelija iz svakog odjeljka.

• **Vlažnost zraka:**

Minimalno: 0%, maksimalno 100%

Dnevno protresanje

Vicair B.V. preporučuje da svakodnevno protresete svoj jastuk Vicair prije uporabe.

Uporaba jastuka za sjedalo Vicair u motornim vozilima

Kad god je to moguće, pređite iz invalidskih kolica u sjedalo za vozilo bez jastuka koje je ugradio proizvođač automobila i koristite sigurnosni sustav za putnike testiran na sudaru vozila.

Kao alternativu za vaš Vicair jastuk za invalidska kolica, moguće je koristiti Vicair Allrounder O2 (koji se može pričvrstiti na tijelo korisnika) ako vam je potrebna dodatna zaštita

u sjedalu za vozilo koje je ugradio proizvođač tijekom prijevoza.

Kada se invalidska kolica koriste kao sjedalo za vozilo, potrebno je pridržavati se važećih pravila i propisa koji se odnose na osiguravanje invalidskih kolica i korisnika invalidskih kolica tijekom prijevoza.

Nema dostupnih podataka o utjecaju na sigurnost Vicair jastuka za invalidska kolica koji se koristi u invalidskim kolicima testiranim na sudar.

Ponovno korištenje - Prenosjenje proizvoda na drugog korisnika

Proizvod je prikladan za opetovanu uporabu. Koliko se puta proizvodom može koristiti ovisi o učestalosti i načinu korištenja proizvodom. Proizvod mora biti temeljito očišćen i dezinficiran prije nego što se njime može koristiti druga osoba. Za upute pogledajte poglavlje „Održavanje i čišćenje“.

Napomena! Pazite da proizvod bude odgovarajuće prilagođen drugoj osobi.

Očekivani vijek trajanja

Očekivani vijek trajanja ovog proizvoda je pet godina kada se koristi u skladu sa sigurnosnim uputama, intervalima održavanja i pravilnom uporabom, što je navedeno u ovom priručniku. Efektivni vijek trajanja može varirati u ovisnosti o učestalosti i intenzitetu uporabe.

Mijenjanje navlake za jastuk

Kod redovne uporabe, Vicair B.V. preporučuje zamjenu navlake za jastuk svake godine. Zamjenske navlake mogu se zasebno kupiti.

Odlaganje

Odlaganje i recikliranje korištenih uređaja i ambalaže mora odgovarati važećim propisima. Pazite da proizvod bude očišćen prije odlaganja kako bi se izbjegla bilo kakva opasnost od kontaminacije.

ODRŽAVANJE I ČIŠĆENJE

Upozorenje! Svaka tri mjeseca provjerite istrošenost proizvoda i ispuhane stanice. U slučaju ozbiljnog oštećenja ili velikog broja ispuhane stanice, nemojte nastaviti s korištenjem proizvoda. Posavjetujte se sa svojim stručnjakom za asistivnu tehnologiju.

Oprez! Nemojte čistiti proizvod parom ili uređajima s visokim pritiskom. Proizvod ne može izdržati prekomjernu vrućinu ili pritisak. U slučaju nepridržavanja uputa o čišćenju, vrlo je velika vjerojatnost bržeg starenja proizvoda. **Oprez!** Nemojte koristiti agresivna ili abrazivna sredstva za čišćenje ili oštre predmete za čišćenje jastuka.

Oprez! Nemojte stavljati gornju stranu Vicair O2 jastuka okrenutu prema staklu na vratima perilice.

Oprez! Prekomjerno pranje može utjecati na starenje ovog proizvoda.

Čišćenje Vicair Adjuster O2a

• Čišćenje navlake Vicair Adjuster O2a

Navlaku za jastuk moguće je prati u perilici rublja. Slijedite upute za pranje na oznaci pričvršćenoj na unutarnjoj strani navlake. (60 °C = 140 °F)



• Čišćenje jastuka Vicair Adjuster O2a

Vaš Vicair O2 jastuk se može strojno prati na 60 °C / 140 °F korištenjem ciklusa pranja protiv gužvanja i blagog deterdženta. Ne morate ukloniti SmartCells prije stavljanja jastuka u perilicu rublja. Uvjerite se da gornja strana jastuka nije okrenuta prema staklu na vratima perilice. Nemojte puniti stroj s više od jedne polovine njegove težine za maksimalno punjenje. Brzina okretanja treba biti smanjena.

Kada koristite stroj s miješalicom za tekućinu, pobrinite se da se jastuk može slobodno kretati unutar bubnja. Nemojte koristiti izbjeljivače na bazi klor, niti ciklus sušenja! Nemojte centrifugirati svoj jastuk Vicair O2 nego ga pustite da se osuši na zraku. Svoj jastuk Vicair O2 možete sušiti pomoću užeta.



Dezinficiranje Vašeg Vicair Adjuster O2

Upozorenje! U slučaju da se proizvod zaprlja tjelesnim tekućinama, te prilikom prijenosa proizvoda na drugog korisnika, proizvod je potrebno dezinficirati kako bi se izbjegla obostrana kontaminacija. Očistite jastuk i navlaku prema prethodnim uputama. Po mogućnosti koristite antibakterijski deterđent. Nakon pranja, pošpricajte svoj jastuk i navlaku dezinfekcijskim sredstvom. Nagnite odjeljke prema van kako biste bili sigurni da će raspršivač ući u otvore.

PRIJAVLJIVANJE OZBILJNIH ŠTETNIH DOGAĐAJA

Ozbiljne štetne događaje koji se javljaju uporabom proizvoda Vicair treba prijaviti proizvođaču i odgovarajućem nadležnom tijelu.

JAMSTVO

Pogledajte www.vicair.com za potpune informacije o jamstvenim postupcima, uvjetima i odredbama.

Vicair B.V. nudi ograničeno jamstvo za nedostatke u izradi i materijalima, pod uvjetom da je proizvod pravilno korišten. Bilo kakvo oštećenje uzrokovano neispravnom uporabom ili neodgovarajućim rukovanjem odnosno nemarom isključeno je iz ovog jamstva.

Jamstveno razdoblje

Od originalnog datuma kupnje: 24 mjeseca. SmartCells u ovom Vicair O2 jastuku imaju doživotno jamstveno razdoblje.

U slučaju da se nedostatak u materijalima ili izradi dogodi tijekom prethodno spomenutog jamstvenog razdoblja, Vicair B.V. će – prema vlastitom odabiru – besplatno popraviti ili zamijeniti proizvod. Navlaka za jastuk nije uključena u ovo jamstvo. Način otklanjanja kršenja izričitog jamstva ograničen je na popravak ili zamjenu proizvoda.

Šteta za kršenje bilo kakvog jamstva ni u kom slučaju ne uključuje nikakvu posljedičnu štetu, niti prelazi trošak neodgovarajuće prodane robe.

Imate li pitanja?

Kontaktirajte Vicair B.V. na info@vicair.com ili kontaktirajte distributera Vicaira za Vašu zemlju.

Spoštovani uporabnik,

zahvaljujemo se vam, ker ste se odločili za nakup izdelka Vicair®. Prepričani smo, da vas bodo njegove preprostost, zanesljivost in učinkovitost navdušile. Za hitro namestitev lahko uporabite kratka navodila, ki so priložena blazini. Pred uporabo morate prebrati in razumeti tudi ta uporabniški priročnik. Kratka navodila in ta priročnik shranite za prihodnjo uporabo.

Če potrebujete več informacij ali če želite (ponovno) naročiti priročnike, se obrnite na distributerja za vašo državo.

Za informacije o prodajalcu obiščite spletno stran vicair.com.

UVOD

Vicair Adjuster O2 je sedežna blazina za invalidski voziček, ki zagotavlja zelo visoko stopnjo zaščite za kožo oseb z velikim tveganjem za nastanek poškodb zaradi pritiska. Je tudi visoko zmogljiv dodatek k načrtu zdravljenja poškodb zaradi pritiska (stopnja I–IV). Blazino Vicair Adjuster O2 lahko operete v pralnem stroju, ne da bi morali odstraniti SmartCells!

INDIKACIJE

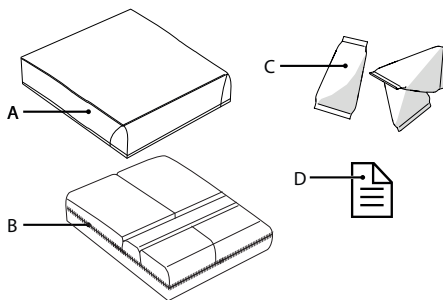
Uporablja se za izboljšanje telesne države asimetričnih oseb, za preprečevanje poškodb zaradi pritiska ter za zagotavljanje udobja in stabilne opore telesu.

Hkrati se uporablja tudi kot učinkovit pripomoček pri zdravljenju razjed zaradi pritiska (stopnje I.–IV.).

KONTRAINDIKACIJE

Pri pravilni uporabi ni znanih kontraindikacij.

OSNOVNI SESTAVNI DELI



- A. Prevleka za blazino
- B. Blazina
- C. SmartCells™
- D. Kratka navodila (Quick Installation Guide)

SPLOŠNI PODATKI O IZDELKU

Ime izdelka:	Vicair Adjuster O2
Proizvajalec:	Vicair B.V., Nizozemska
Garancija:	24 mesecev
Teža (brez prevleke):	Najmanjši model: 0,5 kg / 1.1 lbs Srednji model: 0,8 kg / 1.8 lbs Največji model: 1 kg / 2,2 lbs
Razpoložljive velikosti:	Glejte razpredelnico na koncu priročnika
Uporabljeni materiali:	ne vsebujejo lateksa
Blazina:	Zgornji del poliester s poliuretanskim premazom, spodnji del iz mrežastega poliestra

Polnilo:	zračno jedro SmartCells s prevleko za zmanjšanje trenja
Prevleka za blazino O2 Top Cover:	Zgornji del: Pletena poliestrska tkanina. Spodnji rob: Poliestrska tkanina s protizdrsnim poliuretanskim slojem.

Druge prevleke za blazino:

Prevleka za blazino Comfair Cover: Zgornji del:

Pletena poliestrska tkanina. Stranski deli:

Mrežasta 3D poliestrska tkanina. Spodnji del:

Poliestrska tkanina s protizdrsnim poliuretanskim slojem.

Prevleki za blazino Incotec Cover in Reversible

Cover: Zgornji del: Pletena poliestrska tkanina, prevlečena z vodoodbojnim zračnim poliuretanom. Spodnji del: Poliestrska tkanina s protizdrsnim poliuretanskim slojem.

Vse prevleke: Primerne so za pranje v pralnem stroju. Prevleke so skladne s standardi EN1021-1, 1021-2 in CAL117.

PREVIDNOSTNI UKREPI IN VARNOSTNA NAVODILA

Sedežna blazina za invalidske vozičke Vicair se lahko uporablja samo kot blazina za sedež invalidskega vozička. Uporaba tega izdelka za druge namene se šteje za napačno. Družba Vicair B.V. ne prevzema odgovornosti za škodo, ki nastane zaradi napačne ali nepravilne uporabe ali malomarnosti. Priročnik morate obvezno v celoti prebrati in razumeti.

Opozorilo! Vicair B.V. priporoča, da namestite Vicair Adjuster O2 pod neposrednim nadzorom terapevta ali svetovalca za tehnološke pripomočke.

Opozorilo! Trtica in medenične kosti ne smejo biti v stiku z dnom blazine. Med prvo uporabo in po prilagajanju naplnjenosti blazine preverite, da se trtica in medenične kosti ne posedejo do dna blazine.

Opozorilo! Redno preverjajte svojo kožo in bodite previdni na rdečice, zlasti v prvih nekaj dneh. Če se rdečica pojavi in ne izgine po 15 minutah, se posvetujte s svojim terapevtom ali strokovnjakom za podporno tehnologijo.

Opozorilo! Vicair B.V. priporoča, da prilagodite stopnjo polnjenja pod neposrednim nadzorom vašega terapevta ali strokovnjaka za podporno tehnologijo.

Opozorilo! V primeru onesnaženosti s telesnimi tekočinami in ob predaji izdelka drugemu uporabniku je treba izdelek razkužiti, da bi s tem preprečili navzkrižno okužbo.

Opozorilo! Vsake tri mesece preverite obrabo blazine in puščanje zraka iz celic. Izdelek v primeru hudih poškodb in velikega števila izpraznjenih celih prenehajte uporabljati. Posvetujte se s strokovnjakom za podporno tehnologijo.

Pozor! Ne uporabljajte in ne puščajte izdelka v bližini odprtega ognja ali vira toplote.

Pozor! Izdelka ne čistite s paro ali ga ne sterilizirajte z avtoklavom. Izdelek ne prenese prekomerne toplote ali pritiska. Če ne upoštevate danih navodil za čiščenje, je zelo verjetno, da se bosta izdelek in/ali prevleka izdelka hitreje obrabljala.

Pozor! Za čiščenje ne uporabljajte agresivnih ali abrazivnih čistil in ostrih predmetov.

Pozor! Zgornje strani blazine Vicair ne polagajte ob steklo vrat pralnega stroja.

Pozor! Zagotovite, da blazina ne bo prišla v stik z naperami kolesa.

Pozor! Prekomerno pranje lahko vpliva na staranje tega izdelka.

Obvestilo! Stopnja polnjenja lahko nekoliko odstopa od privzete (glej etiketo izdelka).

NAMESTITEV

Opozorilo! Vicair B.V. priporoča, da namestite Vicair Adjuster O2 pod neposrednim nadzorom terapevta ali svetovalca za tehnološke pripomočke.

Pozor! Zagotovite, da blazina ne bo prišla v stik z naperami kolesa.

Obvestilo! Blazino vedno uporabljajte skupaj s prevleko.

Obvestilo! Zagotovite, da bo sedež invalidskega vozička čist in razmaščen.

Nasvet: Če ne želite uporabiti kaveljčka in zanke, lahko trakove s kaveljčki odstranite. Trakov, ki so prišiti na spodnjo stran blazine, ni mogoče odstraniti.

Pri uporabi vrhnje prevleke za blazino O2 Top Cover izvedite naslednje korake

Ti koraki ustrezajo slikam namestitve 1 – 6 v kratkih navodilih:

- Preverite velikost blazine. Širina (X) blazine in sedeža se mora ujemati. Če blazina sloni ob naslonjalih za roke ali stranskih varovalih, je lahko njena širina do 2,5 cm večja. Globina (Y) blazine in sedeža se mora ujemati.
- Preverite, ali velikost prevleke ustreza velikosti blazine.
- S samolepilnih trakov s kaveljčki, pritrjenih na spodnjo stran blazine, odstranite zaščitno folijo.
- Trdno pritisnite blazino, da jo namestite.
- Prevleko za blazino O2 Top Cover namestite na zgornjo stran blazine.
- Napeljite zanko na zadnji strani blazine skozi »gumbnico« na zadnji strani prevleke.
- Za nekaj minut sedite na blazino, da se ta prilagodi obliki vašega telesa.
- Po potrebi prilagodite oporo/-i za noge.

Alternativno pokrivalo blazine

Te korake izvedite v primeru uporabe prevleke za blazino Comfair Cover, Incotec Cover ali Reversible Cover.

Upoštevajte: Prevleka za blazino Reversible Cover je dobavljena s hladno zračno stranjo na zunanji strani. Če potrebujete vodoodbojno stran prevleke: najprej v celoti odprite zadrgo na zgornjem delu prevleke od spodnjega predela, obrnite zgornji predel navzven in zaprite zadrgo nazaj do spodnjega predela.

- Preverite velikost blazine. Širina (X) blazine in sedeža se mora ujemati. Če blazina sloni ob naslonjalih za roke ali stranskih varovalih, je lahko njena širina do 2,5 cm večja. Globina (Y) blazine in sedeža se mora ujemati.
- Preverite, ali velikost prevleke ustreza velikosti blazine.
- S spodnje strani blazine odstranite trakove s kaveljčki. Trakov, ki so prišiti na spodnjo stran blazine, ni mogoče odstraniti.
- Blazino vstavite v prevleko.
- Zanko speljite skozi odprtino v prevleki.
- Zaprite zadrgo. Pazite, da ne poškodujete blazine.
- S samolepilnih trakov s kaveljčki, pritrjenih na prevleko blazine, odstranite zaščitno folijo.
- Trdno pritisnite blazino, da jo namestite.
- Za nekaj minut sedite na blazino, da se ta prilagodi obliki vašega telesa.
- Po potrebi prilagodite oporo/-i za noge.

Preverjanje stika z dnom blazine:

Slika 7 – Quick Installation Guide

Opozorilo! Trtica in medenične kosti ne smejo biti v stiku z dnom blazine. Med prvo uporabo in po prilagajanju napolnjenosti blazine preverite, da se trtica in medenične kosti ne posedejo do dna blazine.

Opozorilo! Vicair B.V. priporoča, da prilagodite stopnjo polnjenja pod neposrednim nadzorom vašega terapevta ali strokovnjaka za podporno tehnologijo.

- Po približno 5 minutah sedenja na blazini preverite, da trtica in medenične kosti niso v stiku z dnom blazine.
- Dovolite, da vaš terapevt ali strokovnjak za podporno tehnologijo potisne roko med vašo zadnjico in Vicair blazino, medtem ko se nagnete naprej.
- Prosite svojega terapevta ali strokovnjaka za podporno tehnologijo, da preveri, ali izdelek SmartCells™ opira vaše najnižje kostne izbokline za vsaj 2,5 cm/1". To preprečuje, da bi se dotaknili sedeža invalidskega vozička.
- Če se trtica in medenične kosti posedejo do dna blazine, blazine ne uporabite. V večini primerov je težavo mogoče odpraviti s prilagajanjem stopnje napolnjenosti razdelkov.

UPORABA

Preverjanje pordelosti kože

Slika 8 – Quick Installation Guide

Opozorilo! Redno preverjajte svojo kožo in bodite previdni na rdečice, zlasti v prvih nekaj dneh. Če se rdečica pojavi in ne izgine po 15 minutah, se posvetujte s svojim terapevtom ali strokovnjakom za podporno tehnologijo.

Prilagajanje stopnje napolnjenosti

Opozorilo! Vicair B.V. priporoča, da prilagodite stopnjo polnjenja pod neposrednim nadzorom vašega terapevta ali strokovnjaka za podporno tehnologijo.

Pripravljeno na uporabo

Ta izdelek Vicair je pripravljen za uporabo. Izdelek ima glede na velikost in model edinstveno stopnjo napolnjenosti. Toda stopnjo napolnjenosti je po potrebi mogoče spremeniti – z odstranjevanjem celic SmartCells iz različnih razdelkov ali dodajanjem celic vanje. Privzeta stopnja napolnjenosti je navedena na oznaki na blazini.

Pogoji uporabe in shranjevanja

Pozor! Ne uporabljajte in ne puščajte izdelka v bližini odprtega ognja ali vira toplote.

- **Teža uporabnika:**
najmanj: 15 kg / 33 lbs,
največ: 250 kg / 551 lbs
- **Temperatura:**
najmanj: -20 °C / 4 °F,
največ: 55 °C / 131 °F
- **Uporaba na visoki nadmorski višini**
Opomba! Družba Vicair B.V. odsvetuje uporabo blazine na nadmorski višini, višje od 2.400 m ali nižje od 50 m pod gladino morja. Vsaka celica SmartCell je napolnjena z zrakom, zato se lahko lastnosti blazine pri uporabi na visoki nadmorski višini ali v letalu spremenijo. V takšnih primerih lahko trdoto blazine prilagodite tako, da iz vsakega razdelka odstranite nekaj celic.
- **Vlažnost zraka:**
najmanj: 0 %, največ: 100 %

Dnevno rahljanje

Družba Vicair B.V. priporoča, da blazino Vicair vsak dan pred uporabo zrahljate.

Uporaba sedežnih blazin Vicair v motornih vozilih

Kadar koli je mogoče, se z invalidskega vozička prestavite na avtomobilski sedež brez blazine, ki ga je namestil proizvajalec avtomobila, in uporabite zadrževalni sistem za uporabnika invalidskega vozička, ki je bil preizkušen v trku.

Če med prevozom potrebujete dodatno zaščito na sedežu v vozilu, ki ga vgradi proizvajalec, lahko namesto blazine za invalidske vozičke Vicair uporabite vsestransko blazino Vicair Allrounder O2 (ki jo je mogoče pripeti na telo uporabnika).

Če se invalidski voziček uporablja kot sedež v vozilu, je treba upoštevati veljavna pravila in predpise glede pritrditve invalidskega vozička in varnega pripenjanja uporabnika invalidskega vozička med prevozom.

Podatkov o vplivu na varnost blazine za invalidski voziček Vicair, ki se uporablja na invalidskem vozičku, ki je bil preizkušen v trku, ni.

Ponovna uporaba – predaja izdelka drugemu uporabniku

Izdelek je primeren za večkratno uporabo. Kolikokrat ga je mogoče uporabiti, je odvisno od tega, kako pogosto in na kakšen način se izdelek uporablja. Izdelek je treba temeljito očistiti in razkužiti, preden ga lahko uporablja druga oseba. Za navodila glejte poglavje „Vzdrževanje in čiščenje“.

Obvestilo! Poskrbite, da bo izdelek pravilno prilagojen drugi osebi.

Pričakovana življenjska doba

Pričakovana življenjska doba tega izdelka je pet let, če se uporablja v skladu z varnostnimi navodili, intervali vzdrževanja in pravilno uporabo, kot je navedeno v tem priročniku. Učinkovita življenjska doba se lahko razlikuje glede na pogostost in intenzivnost uporabe.

Zamenjava prevleke za blazino

Družba Vicair B.V. priporoča, da prevleko za blazino ob običajni uporabi zamenjate enkrat letno. Nadomestne prevleke so na prodaj posebej.

Odstranjevanje

Pri odstranjevanju in recikliranju uporabljenih naprav in embalaže je treba upoštevati veljavne zakonske predpise. Poskrbite, da je izdelek pred odstranitvijo očiščen, da se prepreči tveganje okužb.

VZDRŽEVANJE IN ČIŠČENJE

Opozorilo! Vsake tri mesece preverite obrabo blazine in puščanje zraka iz celic. Izdelek v primeru hudih poškodb in velikega števila izpraznjenih celih prenehajte uporabljati. Posvetujte se s strokovnjakom za podporno tehnologijo.

Pozor! Izdelka ne čistite s paro ali v avtoklavu. Ni obstojen na prekomerno toploto ali tlak. Če ne boste upoštevali navedenih navodil za čiščenje, je zelo verjetno, da se bo izdelek hitreje obrabil.

Pozor! Za čiščenje ne uporabljajte agresivnih ali abrazivnih čistil in ostrih predmetov.

Pozor! Zgornje strani blazine Vicair O2 ne polagajte ob steklo vrat pralnega stroja.

Pozor! Prekomerno pranje lahko vpliva na staranje tega izdelka.

Čiščenje izdelka Vicair Adjuster O2

• Čiščenje prevleke za blazino Vicair Adjuster O2

Prevleko za blazino lahko perete v pralnem stroju. Upoštevajte navodila za pranje na oznaki, pritrjeni na notranji strani prevleke. (60 °C=140 °F)



• Čiščenje blazine Vicair Adjuster O2

Blazino Vicair O2 je mogoče oprati v pralnem stroju pri temperaturi 60 °C/140 °F s programom proti mečkanju in blagim detergentom. Pred pranjem blazine v pralnem stroju celic SmartCells ni treba odstraniti. Prepričajte se, da zgornja stran blazine ni potisnjena ob steklo vrat pralnega stroja. Ne naložite stroja do več kot polovice maksimalne teže polnitve. Zmanjšajte število obratov centrifuge. Pri uporabi stroja z mešalnikom se prepričajte, da se blazina lahko prosto giblje po bobnu. Ne uporabljajte belil na osnovi klora in izdelka ne čistite kemično! Blazine Vicair O2 ne sušite v sušilniku, temveč na zraku. Blazino Vicair O2 lahko obesite na vrv, da se posuši.



Razkuževanje izdelka Vicair Adjuster O2

Opozorilo! Če so na blazini prisotni madeži zaradi telesnih tekočin in preden blazino uporabite pri drugem uporabniku, jo dezinficirajte, da preprečite navzkrižno kontaminacijo. Blazino in prevleko očistite skladno z zgornjimi navodili. Po možnosti uporabite antibakterijski detergent. Po čiščenju blazino in prevleko popršite z dezinfekcijskim sredstvom. Predelke upognite navzven, da pršilo nanese tudi v reže.

POROČANJE O RESNIH INCIDENTIH

Resne incidente zaradi uporabe izdelkov Vicair je treba poročati proizvajalcu in ustreznemu pristojnemu organu.

GARANCIJA

Za celotne informacije o garancijskih postopkih in pogojih obiščite spletno mesto www.vicair.com.

Družba Vicair B.V. ob običajni uporabi izdelka zagotavlja omejeno garancijo za napake v izdelavi in materialu. Škoda, ki nastane zaradi neobičajne uporabe ali nepravilnega ravnanja, čiščenja ali malomarnosti, ni vključena v garancijo.

Garancijski rok

Od dneva prvega nakupa: 24 mesecev.
Celice SmartCells v blazini Vicair O2 imajo doživljenjsko garancijo.

Če napako v materialu ali izdelavi odkrijete znotraj navedenega garancijskega roka, družba Vicair B.V. po lastni presoji brezplačno popravi ali zamenja izdelek. Preveka za blazino je izključena iz te garancije. Pravna sredstva za kršitve izrecnih garancij so omejena na popravilo ali zamenjavo izdelka. Škoda zaradi kršitve garancije v nobenem primeru ne bo vključevala nobene posledične škode in ne bo preseгла stroška kupljenega neustreznega izdelka.

Ali imate kakšna vprašanja?

Na družbo Vicair B.V. se obrnite prek e-poštnega naslova info@vicair.com ali pa se obrnite na distributerja za izdelke Vicair v svoji državi.

Szanowni klienci!

Dziękujemy za wybór produktu marki Vicair®. Jesteśmy pewni, że docenią Państwo jego prostotę, niezawodność i fantastyczne działanie. W celu szybkiej instalacji skorzystaj z skróconej instrukcji instalacji dostarczonej wraz z poduszką. Przed rozpoczęciem użytkowania należy również zapoznać się z niniejszą instrukcją obsługi i przyswoić sobie jej treść. Zarówno skróconą instrukcję montażu, jak i niniejszą instrukcję obsługi należy zachować do wykorzystania w przyszłości.

Aby uzyskać więcej informacji lub zamówić instrukcję, należy skontaktować się z dystrybutorem w danym kraju.

Aby uzyskać informacje o dystrybutorze, odwiedź stronę vicair.com.

WPROWADZENIE

Vicair Adjuster O2 to poduszka na siedzisko wózka inwalidzkiego, która zapewnia bardzo wysoki poziom ochrony skóry osobom, które są narażone na powstawanie odleżyn. Jest to również bardzo skuteczny dodatek do planu leczenia odleżyn (etap I-IV). Poduszkę Vicair Adjuster O2 można prać w pralce bez wyjmowania wkładów SmartCells!

WSKAZANIA

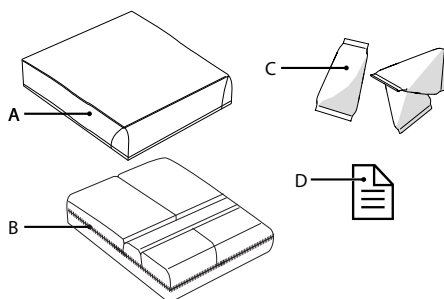
Służy do poprawy asymetrycznej postawy ciała, zapobiegania powstawaniu odleżyn oraz zapewnienia komfortu i stabilnego podparcia ciała.

Jest to również skuteczny dodatek do planu leczenia odleżyn (etap I-IV).

PRZECIWWSKAZANIA

W przypadku użytkowania zgodnie z przeznaczeniem nie ma znanych przeciwwskazań.

GŁÓWNE ELEMENTY



- A. Pokrowiec na poduszkę
- B. Poduszka
- C. SmartCells™
- D. Skrócona instrukcja instalacji (QuickInstallation Guide)

OGÓLNE SPECYFIKACJE PRODUKTU

Nazwa produktu:	Vicair Adjuster O2
Producent:	Vicair B.V., Holandia
Gwarancja:	24 miesiące
Ciężar (bez pokrowca):	Rozmiar najmniejszy: 0,5 kg / 1.1 lbs Rozmiar średni: 0,8 kg / 1.8 lbs Rozmiar największy: 1 kg / 2,2 lbs
Dostępne rozmiary:	Sprawdź siatkę na odwrocie instrukcji

Zastosowane materiały:	Bez zawartości lateksu
Poduszka:	Wierzch wykonany z tkaniny poliestrowej w powłoką poliuretanową, spód z tkaniny z siatki poliestrowej
Wypełnienie:	Wypełnione powietrzem wkłady SmartCells o niskim współczynniku tarcia powłoki
Pokrowiec na poduszkę O2 Top Cover:	Góra: Dzianina poliestrowa. Obręcz dolna: Tkanina poliestrowa z poliuretanową powłoką antypoślizgową.

Alternatywne pokrowce

Pokrowiec Comfair Cover: Góra: Dzianina poliestrowa. Boki: Siatkowa tkanina poliestrowa 3D. Spód: Tkanina poliestrowa z poliuretanową powłoką antypoślizgową.

Pokrowiec Incotec Cover i pokrowiec Reversible Cover: Góra: Dzianina poliestrowa, powlekana oddychającym poliuretanem odpornym na działanie płynów. Spód: Tkanina poliestrowa z poliuretanową powłoką antypoślizgową.

Wszystkie pokrowce: można prać w pralce.

Pokrowce spełniają wymogi norm PN-EN 1021-1, 1021-2 i CAL117.

ŚRODKI OSTROŻNOŚCI I INSTRUKCJE BEZPIECZEŃSTWA

Poduszki Vicair do wózka inwalidzkiego można używać tylko jako siedziska do wózka inwalidzkiego. Korzystanie z tego produktu w jakikolwiek inny sposób jest uważane za niewłaściwe użytkowanie. Firma Vicair B.V. nie ponosi odpowiedzialności za szkody powstałe

w wyniku niewłaściwego użytkowania, niewłaściwego korzystania lub zaniedbania. Prosimy o zapoznanie się z pełną treścią niniejszej instrukcji.

Ostrzeżenie! Firma Vicair B.V. zaleca montaż Vicair Adjuster O2 pod bezpośrednim nadzorem terapeuty lub specjalisty ds. technologii wspomagających.

Ostrzeżenie! Kość ogonowa i kości miednicy nie powinny dotykać dna poduszki. Kontrolę „bottoming out” należy wykonać w czasie pierwszego użycia i po dostosowaniu wypełnienia poduszki.

Ostrzeżenie! Regularnie sprawdzaj skórę pod kątem zaczerwienień, szczególnie w pierwszych dniach. Jeśli pojawi się zaczerwienienie, które nie zniknie po 15 minutach, skonsultuj się z terapeutą lub specjalistą ds. technologii wspomagających.

Ostrzeżenie! Vicair B.V. zaleca regulację stopnia wypełnienia pod bezpośrednim nadzorem terapeuty lub specjalisty ds. technologii wspomagających.

Ostrzeżenie! W przypadku zabrudzenia płynami ustrojowymi oraz przy przekazywaniu produktu innemu użytkownikowi, produkt należy zdezynfekować, aby uniknąć zakażenia krzyżowego.

Ostrzeżenie! Raz na trzy miesiące należy sprawdzić produkt pod kątem zużycia i spadku ciśnienia powietrza w wypełnieniu. W przypadku poważnego uszkodzenia lub spadku ciśnienia powietrza w wielu wkładach nie należy więcej korzystać z produktu. Skonsultuj się ze specjalistą ds. technologii wspomagających.

Przestroga! Nie używaj ani nie pozostawiaj produktu w pobliżu otwartego ognia lub źródła ciepła o wysokiej temperaturze.

Przestroga! Nie czyść poduszki parą ani w autoklawie. Produkt nie jest odporny na nadmierne temperatury i ciśnienie. W przypadku nieprzestrzegania podanych

instrukcji czyszczenia bardzo prawdopodobne jest, że żywotność produktu i/lub pokrowca szybko ulegnie skróceniu.

Przeostroga! Do czyszczenia poduszki nie należy używać żrących czy ściierających środków czyszczących ani ostrych przedmiotów.

Przeostroga! Nie umieszczaj górnej części poduszki Vicair przy szklanej powierzchni drzwiczek pralki.

Przeostroga! Upewnij się, że poduszka nie może wkręcić się w szprychy kół.

Przeostroga! Zbyt częste pranie może przyspieszyć starzenie się produktu.

Uwaga! Stopień wypełnienia może nieznacznie odbiegać od domyślnego (patrz etykieta produktu).

INSTALACJA

Ostrzeżenie! Firma Vicair B.V. zaleca montaż Vicair Adjuster O2 pod bezpośrednim nadzorem terapeuty lub specjalisty ds. technologii wspomagających.

Przeostroga! Upewnij się, że poduszka nie może wkręcić się w szprychy kół.

Uwaga! Zawsze używaj poduszki razem z pokrowcem.

Uwaga! Upewnij się, że siedzisko wózka jest czyste i odtłuszczone.

Wskazówka: Jeśli nie chcesz używać rzepów, możesz zdjąć paski. Należy zauważyć, że paski przymocowane do dołu poduszki i/lub pokrowca nie mogą zostać zdjęte.

W przypadku korzystania z pokrowca na poduszkę O2 Top Cover, wykonaj następujące czynności

Odpowiadają one rysunkom 1 – 6 zamieszczonym w skróconej instrukcji instalacji (Quick Installation Guide).

- Sprawdź rozmiar poduszki. Szerokość (X) poduszki i siedziska powinny do siebie

pasować. Jeśli poduszka opiera się o podłokietniki lub boczne osłony, jej szerokość może być do 2,5 cm (1") większa. Głębokość (Y) poduszki i siedziska powinny do siebie pasować.

- Sprawdź, czy rozmiar pokrowca odpowiada rozmiarowi poduszki.
- Usuń taśmę ochronną z samoprzylepnych do spodu poduszki samoprzylepnych do pokrowca poduszki.
- Umieść poduszkę na siedzisku, mocno dociskając.
- Umieść pokrowiec na poduszkę O2 Top Cover na poduszcze.
- Przeprowadź pętelkę z tyłu poduszki przez „dziurkę od guzika” z tyłu pokrowca.
- Usiądź na poduszcze na kilka minut, aby poduszka dostosowała się do kształtu ciała.
- W razie potrzeby wyreguluj podnóżek/ podnóżki.

Alternatywny pokrowiec na poduszkę

W przypadku korzystania z pokrowca Comfair Cover, Incotec Cover lub Reversible Cover, wykonaj poniższe kroki:

Uwaga: Pokrowiec Reversible Cover jest dostarczany chłodną oddychającą stroną na zewnątrz. Jeśli potrzebujesz strony pokrowca odpornej na działanie płynów, najpierw całkowicie odepnij górną część pokrowca od dolnej, wyrwóć górną część na drugą stronę i przypnij ją ponownie do dolnej części.

- Sprawdź rozmiar poduszki. Szerokość (X) poduszki i siedziska powinny do siebie pasować. Jeśli poduszka opiera się o podłokietniki lub boczne osłony, jej szerokość może być do 2,5 cm (1") większa. Głębokość (Y) poduszki i siedziska powinny do siebie pasować.
- Sprawdź, czy rozmiar pokrowca odpowiada rozmiarowi poduszki.
- Usuń paski z rzepami ze spodu poduszki.

Należy zauważyć, że nie można zdjąć pasków przymocowanych do dołu poduszki i/lub pokrowca.

- Włóż poduszkę do pokrowca.
- Przełóż pętlę przez oczko w pokrowcu.
- Zasuń zamek błyskawiczny. Uważaj, aby nie uszkodzić poduszki.
- Usuń taśmę ochronną z samoprzylepnych pasków z rzepami, przymocowanych do pokrowca poduszki.
- Umieść poduszkę na siedzisku, mocno dociskając.
- Usiądź na poduszce na kilka minut, aby poduszka dostosowała się do kształtu ciała.
- W razie potrzeby wyreguluj podnóżek/podnóżki.

Kontrola „bottoming out”:

Rycina 7 – Quick Installation Guide

Ostrzeżenie! Kość ogonowa i kości miednicy nie powinny dotykać dna poduszki. Kontrolę „bottoming out” należy wykonać w czasie pierwszego użycia i po dostosowaniu wypełnienia poduszki.

Ostrzeżenie! Vicair B.V. zaleca regulację stopnia wypełnienia pod bezpośrednim nadzorem terapeuty lub specjalisty ds. technologii wspomagających.

- Sprawdź poduszkę pod kątem „bottoming out”, siedząc na poduszce przez około 5 minut.
- Pozwól terapeutce lub specjalście ds. technologii wspomagających wsunąć dłoń między Twoje pośladki a poduszkę Vicair, a jednocześnie pochyl się do przodu.
- Poproś terapeutę lub specjalistę ds. technologii wspomagających, aby sprawdził, czy najniższe wypukłości kostne są podparte przez co najmniej 2,5 cm/1” wkładów SmartCells™. Zapobiega to dotykaniu siedziska wózka inwalidzkiego.

- Jeśli dotykają siedziska, nie używaj poduszki. W większości przypadków problem ten rozwiąże wyregulowanie stopnia wypełnienia komór poduszki.

ZASTOSOWANIE

Sprawdzanie wystąpienia zaczerwienienia skóry

Rycina 8 – Quick Installation Guide

Ostrzeżenie! Regularnie sprawdzaj skórę pod kątem zaczerwienień, szczególnie w pierwszych dniach. Jeśli pojawi się zaczerwienienie, które nie zniknie po 15 minutach, skonsultuj się z terapeutą lub specjalistą ds. technologii wspomagających.

Regulacja stopnia wypełnienia

Ostrzeżenie! Vicair B.V. zaleca regulację stopnia wypełnienia pod bezpośrednim nadzorem terapeuty lub specjalisty ds. technologii wspomagających.

Gotowość do użycia:

Ten produkt Vicair jest gotowy do użycia. Posiada niepowtarzalny stopień wypełnienia, w zależności od rozmiaru i modelu. Jednakże – w razie potrzeby – stopień wypełnienia można wyregulować poprzez usunięcie lub dodanie wkładów SmartCells z/do poszczególnych komór. Informacje o domyślnym stopniu wypełnienia można znaleźć na etykiecie dołączonej do poduszki.

Warunki użytkowania i przechowywania

Przeostrożenie! Nie używaj ani nie pozostawiaj produktu w pobliżu otwartego ognia lub źródła ciepła o wysokiej temperaturze.

- **Waga użytkownika:**
Minimalna: 15 kg / 33 lbs,
maksymalna: 250 kg / 551 lbs

- **Temperatura:**
Minimalna: -20 °C / 4 °F,
maksymalna: 55 °C / 131 °F
- **Użytkowanie na dużej wysokości**
Uwaga! Firma Vicair B.V. nie zaleca stosowania poduszki na wysokościach powyżej 2400 m (8000 stóp) nad poziomem morza ani poniżej 50 m (164 stóp) poniżej poziomu morza. Ponieważ każdy element SmartCells jest wypełniony powietrzem, poduszka może zachowywać się inaczej, gdy jest użytkowana na dużych wysokościach lub w samolocie. W takich warunkach twardość poduszki można wyregulować poprzez usunięcie kilku wkładów z każdej komory.
- **Wilgotność powietrza:**
Minimalna: 0%, maksymalna 100%

Codziennie spulchnianie

Firma Vicair B.V. zaleca codzienne „spulchnianie” poduszki Vicair przed użyciem.

Korzystanie z poduszki Vicair w pojazdach silnikowych

Gdy to tylko możliwe, przesiądź się z wózka inwalidzkiego na zamontowany przez producenta samochodu fotel samochodowy bez poduszki i korzystaj ze sprawdzonego w testach zderzeniowych systemu bezpieczeństwa pasażerów. Jeśli potrzebujesz dodatkowej ochrony podczas transportu w zamontowanym przez producenta samochodu fotelu samochodowym, jako alternatywę dla poduszki Vicair do wózka inwalidzkiego możesz wykorzystać produkt Vicair Allrounder O2 (który można przymocować do ciała użytkownika). Jeśli zamiast fotela samochodowego używany jest wózek inwalidzki, należy przestrzegać obowiązujących zasad i przepisów dotyczących zabezpieczenia wózka oraz jego użytkownika podczas transportu.

Nie ma dostępnych danych na temat wpływu poduszki Vicair do wózka inwalidzkiego na bezpieczeństwo podczas testów zderzeniowych.

Ponowne wykorzystanie – Przekazanie produktu innemu użytkownikowi

Produkt nadaje się do wielokrotnego użytku. To, ile razy będzie można go użyć, będzie zależało od tego, jak często i w jaki sposób produkt będzie użytkowany. Zanim inna osoba będzie mogła używać produktu, należy go dokładnie wyczyścić i zdezynfekować. Instrukcje znajdują się w rozdziale „Konserwacja i czyszczenie”.

Uwaga! Upewnij się, że produkt jest prawidłowo wyregulowany dla drugiej osoby.

Oczekiwana żywotność produktu

Przewidywany okres użytkowania tego produktu wynosi pięć lat, o ile jest on używany zgodnie z instrukcjami bezpieczeństwa, z zachowaniem prawidłowej częstotliwości konserwacji i zasad prawidłowego użytkowania, określonymi w niniejszym dokumencie. Efektywna żywotność może się różnić w zależności od częstotliwości i intensywności użytkowania.

Wymiana pokrowca

W normalnych warunkach firma Vicair B.V. zaleca wymianę pokrowca raz w roku. Pokrowce wymienne można kupić oddzielnie.

Utylizacja

Utylizacja i recykling zużytych urządzeń i opakowań musi odbywać się zgodnie z obowiązującymi przepisami prawa. Przed przekazaniem do utylizacji produkt należy wyczyścić, aby uniknąć ryzyka zanieczyszczenia.

KONSERWACJA I CZYSZCZENIE

Ostrzeżenie! Raz na trzy miesiące należy sprawdzić produkt pod kątem zużycia i spadku ciśnienia powietrza w wypełnieniu. W przypadku poważnego uszkodzenia lub spadku ciśnienia powietrza w wielu wkładach nie należy więcej korzystać z produktu. Skonsultuj się ze specjalistą ds. technologii wspomagających.

Przeostroga! Nie czyść produktu parą ani autoklawem. Produkt nie wytrzyma nadmiernego ciepła lub ciśnienia. Jeśli podane instrukcje dotyczące czyszczenia nie będą przestrzegane, jest bardzo prawdopodobne, że produkt szybciej się „zestarzeje”.

Przeostroga! Do czyszczenia poduszki nie należy używać żrących czy ścierających środków czyszczących ani ostrych przedmiotów.

Przeostroga! Nie umieszczaj górnej części poduszki Vicair O2 przy szklanej powierzchni drzwiczek pralki.

Przeostroga! Zbyt częste pranie może przyspieszyć starzenie się produktu.

Czyszczenie poduszki Vicair Adjuster O2

- **Czyszczenie pokrowca na poduszkę Vicair Adjuster O2**

Pokrowiec na poduszkę można prać w pralce. Postępuj zgodnie z instrukcjami prania umieszczonymi na metce wewnątrz pokrowca. (60 °C = 140 °F)



- **Czyszczenie poduszki Vicair Adjuster O2**
Poduszkę Vicair O2 można prać w pralce w temperaturze 60°C/140°F, stosując cykl zapobiegający powstawaniu zagnieceń oraz łagodny detergent. Przed włożeniem poduszki do pralki nie musisz wyjmować wkładów SmartCells. Nie umieszczaj górnej części poduszki przy szklanej powierzchni drzwiczek pralki. Nie ładuj pralki do poziomu większego niż połowa jej maksymalnej ładowności. Należy zmniejszyć prędkość wirowania. Jeśli korzystasz z pralki z mieszadłem, upewnij się, że poduszka może swobodnie poruszać się wewnątrz bębna. Nie używaj wybielaczy na bazie chloru i nie czyść chemicznie! Nie poduszki Vicair O2 susz w suszarce bębnowej — pozostaw do wyschnięcia na wolnym powietrzu. Poduszkę Vicair O2 można suszyć w stanie rozwieszonym.



Dezynfekcja poduszki Vicair Adjuster O2

Ostrzeżenie! W przypadku zabrudzenia płynami ustrojowymi lub przekazania produktu innemu użytkownikowi, produkt należy zdezynfekować w celu uniknięcia zanieczyszczenia krzyżowego. Wyczyść poduszkę i pokrowiec w sposób opisany powyżej. Najlepiej użyć detergentu antybakteryjnego. Po wyczyszczeniu, spryskaj poduszkę i pokrowiec środkiem dezynfekującym. Wywiń komory na zewnątrz, aby upewnić się, że środek dostanie się do wszystkich szczelin.

ZGŁASZANIE POWAŻNYCH INCYDENTÓW

Poważne incydenty związane ze stosowaniem produktów Vicair należy zgłaszać producentowi oraz odpowiedniemu właściwemu organowi.

GWARANCJA

Na stronie www.vicair.com znajdziesz kompletne informacje dotyczące gwarancji, jej zasad i warunków.

Firma Vicair B.V. daje ograniczoną gwarancję na wady wykonania i materiałowe, jeżeli produkt jest używany normalnie. Wszelkie uszkodzenia wynikające z nieprawidłowego użytkowania lub spowodowane przez nieprawidłowe obchodzenie się z produktem, nieprawidłowe czyszczenie lub zaniedbania, są wyłączone z niniejszej gwarancji.

Okres gwarancyjny

Od daty zakupu: 24 miesiące.

Wkłady SmartCells zastosowane w tej poduszce Vicair O2 są objęte dożywotnią gwarancją.

Jeżeli wada materiałowa lub wykonania ujawni się w ciągu powyższego okresu gwarancyjnego, firma Vicair B.V. — według własnego uznania — naprawi lub wymieni produkt bezpłatnie.

Pokrowiec na poduszkę jest wyłączony z niniejszej gwarancji. Zadośćuczynienie za naruszenie warunków niniejszej gwarancji jest ograniczone do naprawy lub wymiany produktu.

W żadnym wypadku odszkodowanie za naruszenie warunków gwarancji nie obejmuje strat wynikowych i nie może przekroczyć kosztu towarów niezgodnych.

Masz pytania?

Skontaktuj się z firmą Vicair B.V., pisząc na adres info@vicair.com lub z krajowym dystrybutorem Vicair.

尊敬的客户，

感谢您选择 Vicair® 产品。我们确信您会喜欢这种简单、可靠和难以置信的效果。对于快速安装，可以参阅随坐垫提供的快速安装指南。另外，使用前请阅读并了解本用户手册。保管好快速安装指南和本手册以备将来参考。

更多详细信息或（重新）订购手册，请与贵国的经销商联系。

如需经销商信息，请访问 vicair.com。

介绍

作为一款轮椅专用坐垫，Vicair Adjuster 02 可以为压力性损伤高风险人群提供高水平的皮肤保护，并为压力性损伤治疗计划（I-IV 期）提供高性能的辅助。Vicair Adjuster 02 坐垫可以全机洗，无需取出智慧气囊！

适应症

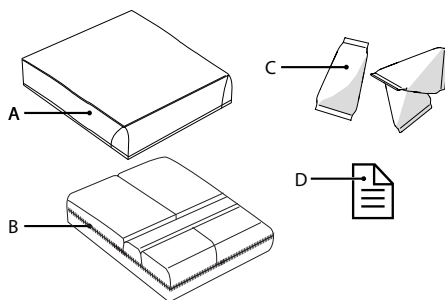
改善不对称的身体姿势，防止压力性损伤，并提供舒适稳定的身体支撑。

也是一种高性能压疮治疗计划的辅助设备（I 至 IV 阶段）。

禁忌症

在按照预期用途使用的前提下，暂无使用禁忌。

主要组件



- A. 坐垫外套
- B. 坐垫
- C. SmartCells™
- D. 快速安装指南 (Quick Installation Guide)

一般产品规格

产品名称：	Vicair Adjuster 02
制造商：	荷兰 Vicair B.V.
保固：	24 个月
重量（不包括外套）：	最小尺寸： 0.5 公斤 / 1.1 lbs 中等尺寸： 0.8 公斤 / 1.8 lbs 最大尺寸： 1 公斤 / 2.2 lbs
可供选择的尺寸：	参见手册背面的网格
所用材料：	全部不含乳胶
坐垫：	顶部采用聚氨酯涂料和聚酯织物制成，底部由聚酯网眼织物制成
填充物：	采用低摩擦层的充气 SmartCells
02 Top Cover 坐垫外套：	表面：编织聚酯纤维织物。 底面边缘：采用聚氨酯防滑涂层的涤纶织物。

可更换的坐垫外套：

Comfair Cover 坐垫外套：表面：编织聚酯纤维织物。侧面：涤纶 3D 网眼织物。底面：采用聚氨酯防滑涂层的涤纶织物。

Incotec Cover 和 Reversible Cover 坐垫外套：表面：编织聚酯纤维织物，包覆防水透气聚氨酯。底面：采用聚氨酯防滑涂层的涤纶织物。

全部外套：可机洗。外套符合 EN1021-1、1021-2 和 CAL117 标准。

预防措施和安全说明

Vicair 轮椅坐垫只可用作轮椅坐垫。以任何其他方式使用本产品均视为滥用。Vicair B.V. 对因滥用、不当使用或疏忽而造成的损害不承担责任。确保阅读并完全了解本手册。

警告！ Vicair B.V. 建议在治疗师或辅助技术服务专业人员的直接指导下安装 Vicair Adjuster 02。

警告！ 尾椎骨和骶骨不应触到坐垫底部。第一次使用和调整坐垫填充物后，都应检查是否“触底”。

警告！ 定期检查您的皮肤是否发红，尤其是在最初几天的使用过程中。如果皮肤发红并且 15 分钟后仍未消失，请咨询您的治疗师或辅助技术专家。

警告！ Vicair B.V. 建议在您的治疗师或辅助技术专家的直接监督下调整填充等级。

警告！ 如果沾上体液，在将本产品转让给其他用户时，必须对产品进行消毒，以避免交叉感染。

警告！ 每三个月，请检查本产品是否磨损和气囊泄气。如果出现严重损坏或大量气囊泄气，请不要继续使用本产品，并咨询您的辅助技术专家。

注意： 不要让本产品靠近明火或高温热源。

注意： 请勿对本产品使用蒸汽清洁产品，并且不要高压灭菌。该产品不能承受过多的热能或压力。如果不遵循指定的清洁说明，则产品和/或产品外罩很可能会加快老化。

注意： 不要使用粗糙或磨蚀性清洁剂或者尖锐物体清洁坐垫。

注意： 不要将 Vicair 坐垫的顶部靠在洗衣机门的玻璃上。

注意： 请确保坐垫不会妨碍到车轮辐条。

注意： 过度洗涤可能会影响本产品的使用寿命。请注意！填充等级可能与默认值略有差异（见产品标签）。

组装

警告！ Vicair B.V. 建议在治疗师或辅助技术服务专业人员的直接指导下安装 Vicair Adjuster 02。

注意： 请确保坐垫不会妨碍到车轮辐条。

请注意！ 坐垫务必使用外套。

请注意！ 确保轮椅座位清洁且无油污。

提示： 如果不喜欢使用钩和毛圈搭扣，可以取下粘扣带。请注意，不能取下缝制在坐垫底面的粘扣带。

使用 02 Top Cover 坐垫外套时执行以下步骤。这些步骤对应于 Quick Installation Guide 的组装图片 1 - 6：

- 检查坐垫大小。坐垫和座椅的宽度 (X) 应匹配。如果轮椅的扶手或侧挡板有空间容纳坐垫，则坐垫宽度可略宽 2.5 厘米 (1 英寸)。坐垫和座椅的深度 (Y) 应匹配。
- 检查外套的大小是否与坐垫的大小匹配。
- 将安全背带从附在坐垫底面的自粘式粘扣带上拿掉即可。
- 通过用力按压放置坐垫。
- 将 02 Top Cover 坐垫外套放在坐垫表面上。
- 将坐垫背面的圈环穿过外套背面的“扣眼”。
- 坐上坐垫几分钟，使坐垫可以贴合您的体型。
- 如果必要，调整脚踏板。

可选坐垫套

使用 Comfair Cover、Incotec Cover 或 Reversible Cover 坐垫外套时，请执行以下步骤。

请注意： Reversible Cover 坐垫外套交付时，凉爽透气一侧朝外。如果需要此外套的防水侧：首先把拉链从外套底部到顶部完全拉开，将顶部翻出来，然后将拉链重新拉到底部。

- 检查坐垫大小。坐垫和座椅的宽度 (X) 应匹配。如果轮椅的扶手或侧挡板有空间容纳坐垫，则坐垫宽度可略宽 2.5 厘米 (1 英寸)。坐垫和座椅的深度 (Y) 应匹配。

- 检查外套的大小是否与坐垫的大小匹配。
- 从坐垫底面取下粘扣带。请注意，不能取下缝制在坐垫底面的粘扣带。
- 外坐垫装入外套中。
- 将绳圈穿出外套内的圆孔。
- 拉上拉链。确保不会损坏坐垫。
- 将安全背带从附在坐垫表面的自粘式粘扣带上拿掉即可。
- 通过用力按压放置坐垫。
- 坐上坐垫几分钟，使坐垫可以贴合您的体型。
- 如果必要，调整脚踏板。

检查是否“触底”：

图 7 - Quick Installation Guide

警告！ 尾椎骨和髌骨不应触到坐垫底部。第一次使用和调整坐垫填充物后，都应检查是否“触底”。

警告！ Vicair B.V. 建议在您的治疗师或辅助技术专家的直接监督下调整填充等级。

- 坐在坐垫上约 5 分钟后，检查是否触到底部。
- 将身体前倾，此时治疗师或辅助技术专家会用一只手在您的臀部和Vicair坐垫之间滑动。
- 请治疗师或辅助技术专家检查您的最低骨突处是否由至少 2.5 厘米/1 英寸的 SmartCells™ 支撑。此举可以防止骨突处接触轮椅座椅。
- 如果臀部触底，请不要使用该坐垫。在多数情况下，调整隔层的填充等级可解决这个问题。

使用

检查皮肤是否产生红斑

图 8 - Quick Installation Guide

警告！ 定期检查您的皮肤是否发红，尤其是在最初几天的使用过程中。如果皮肤发红并且 15 分钟后仍未消失，请咨询您的治疗师或辅助技术专家。

调整填充等级

警告！ Vicair B.V. 建议在您的治疗师或辅助技术专家的直接监督下调整填充等级。

随时可用

这款 Vicair 产品可直接使用。根据尺寸和型号有各自对应的填充等级。但是如有必要，可以通过增加或减少各隔层内的 SmartCells 来调整填充等级。您可以在附到坐垫上的标签上找到默认填充等级。

使用和存放条件

注意： 不要让本产品靠近明火或高温热源。

- 使用者重量：
 - 最小值：15 千克 / 33 磅，
 - 最大值：250 kg / 551 lbs
- 温度：
 - 最小值：-20 ° C / 4 ° F，
 - 最大值：55 ° C / 131 ° F
- 高海拔地区使用

请注意！ Vicair B.V. 建议不要在海拔 2400 米（8000 英尺）以上或低于海平面 50 米（164 英尺）以下地区使用本坐垫。因为每个 SmartCell 都充满空气，在高海拔地区或飞机上使用时，坐垫的作用可能会失常。在这种情况下，可以从每个隔层中取出几个气囊来调整硬度。
- 空气湿度：
 - 最小值：0%，最大值：100%

每日保持坐垫松软

Vicair B.V. 建议每日使用前保持 Vicair 坐垫松软。

在机动车辆内使用 Vicair 坐垫

从轮椅上转移到汽车制造商安装的车辆座椅上时，请尽可能不要使用轮椅坐垫。请使用车辆中经过碰撞测试的乘客座椅安全系统。

如果您在运输过程中需要额外保护，可以使用 Vicair Allrounder 02（可以固定用户身体）作为 Vicair 轮椅坐垫的替代品。

将轮椅用作车辆座椅时，应遵守有关运输过程中固定轮椅和轮椅用户的适用规则和规定。

Vicair 轮椅坐垫并没有轮椅碰撞测试的安全性数据。

再次使用 - 让渡产品给其他使用者

该产品可以重复使用，且使用次数取决于产品的使用频率和使用方式。在允许他人使用之前，必须彻底清洁和消毒该产品。请参阅“维护和清洁”一章的说明。

请注意！ 确保为另一个正确调整坐垫。

预期使用寿命

如果按照本手册中所述的安全说明、维护间隔和正确使用方法使用，本产品的预期使用寿命为五年。

有效使用寿命会根据使用频率和强度而有所不同。

更换坐垫外套

正常使用状况下，Vicair B.V. 建议每年更换坐垫外套。坐垫外套可以单独购买。

处置

所用设备和包装的处置及回收利用必须遵守适用的法律法规。确保产品在处置之前要清洁，以避免发生任何污染的风险。

维护和清洗

警告！ 每三个月，请检查本产品是否磨损和气囊泄气。如果出现严重损坏或大量气囊泄气，请不要继续使用本产品，并咨询您的辅助技术专家。

注意： 不要用蒸汽清洁或用高压锅对本产品消毒。它不能承受高温或高压。未遵循所规定的清洁说明时，本产品很可能会加速老化。

注意： 不要使用粗糙或磨蚀性清洁剂或者尖锐物体清洁坐垫。

注意： 不要将 Vicair O2 坐垫的顶部靠在洗衣机门的玻璃上。

注意： 过度洗涤可能会影响本产品的使用寿命。

清洗 Vicair Adjuster O2

• 清洗 Vicair Adjuster O2 坐垫外套
坐垫外套可机洗。请参照外套内部所附标签上的洗涤说明。

(60 ° C=140 ° F)



• 清洗 Vicair Adjuster O2 坐垫

Vicair O2 坐垫可使用 60° C / 140° F 的水和中性清洁剂进行防皱循环机洗。将坐垫放入洗衣机前，不需要取下 SmartCells。确保不要将坐垫顶部靠在洗衣机门的玻璃上。机器负载不要超过最大负载重量的一半。应该降低脱水速度。使用带搅拌器的机器时，确保坐垫可以在滚筒内自由移动。不要使用任何含氯漂白剂和干洗！不要用滚筒烘干 Vicair O2 坐垫，而要晾干。您可以使用吊绳悬挂 Vicair O2 坐垫进行晾晒



对 Vicair Adjuster O2

警告！ 如果被体液弄脏，以及把本产品让渡给另一使用者时，必须对产品消毒以避免交叉污染。按上述说明清洁坐垫和外套。最好使用抗菌剂。清洗后用消毒剂喷涂坐垫和外套。翻出隔层，确保喷雾能进入缝隙。

报告严重事故

因使用 Vicair 产品而发生的严重事故应报告给制造商和相关主管部门。

保固

有关保固流程、条款与条件的完整信息，请访问 www.vicair.com。

在产品正常使用下，Vicair B.V. 对工艺和材料缺陷提供有限保固。因不正常使用、不当处理、清洗或疏忽造成任何损坏，则不在本保固范围内。

保固期

自原始购买之日起：24 个月。

这款 Vicair O2 坐垫中的 SmartCells 具有终身保固期。

在上述保固期内出现材料或工艺缺陷，Vicair B.V. 将自行选择免费维修还是更换产品。坐垫外套不在本保固范围内。违反此处明示保固条款的补救措施仅限于维修或更换产品。

在任何情况下，违反任何保固条款所造成的损坏均不应包括间接损坏或超出不合格商品销售的费用。

有问题吗？

发电子邮件至 info@vicair.com 联系 Vicair B.V. 或联系贵国的 Vicair 分销商。

お客様へ

Vicair® 製品をお買い上げいただき、ありがとうございます。このシンプルで信頼性の高い、素晴らしい効果をお楽しみいただけることと存じます。クッションに同封されている「クイックインストールガイド」をご利用になると、迅速に設置できます。さらに、お使いになる前に本ユーザーマニュアルをよく読んで、ご理解いただくようお願いいたします。将来参照できるよう、「クイックインストールガイド」と本ユーザーマニュアルの両方を保管してください。

詳細またはマニュアルの再注文に関しては、お住まいの国の販売業者にお問い合わせください。

代理店情報については、vicair.com でご覧いただけます。

紹介

Vicair Adjuster 02 は車いす用座席クッションで、褥瘡（じょくそう）ができるリスクを持つ方に非常に高いレベルの皮膚の保護をお届けします。また、ステージの進んだ褥瘡（じょくそう）治療計画（ステージ I-IV）にも、優れた高性能を追加するものとなります。Vicair Vector 02 クッションは、SmartCells を付けたままで洗たく機で丸洗いできます！

適応

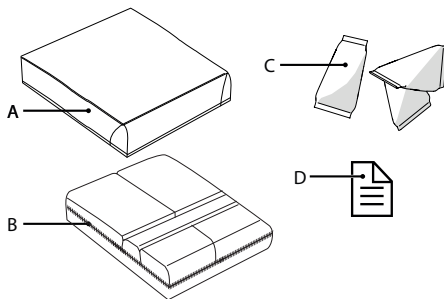
姿勢の非対称改善、褥瘡（じょくそう）防止のほか、快適で安定した身体の支えを提供するために使用します。

また、ステージの進んだ褥瘡（じょくそう）治療計画（ステージ I-IV）にも、優れた高性能を追加するものとなります。

禁忌

所定の使用方法に従う場合、既知の禁忌事項はありません。

主な構成部分



- A. クッションカバー
- B. クッション
- C. SmartCells™
- D. クイックインストールガイド

一般的な製品の仕様

製品名:	Vicair Adjuster 02
製造業者:	Vicair B.V. (オランダ)
保証:	24 ヶ月間
重量 (カバーを除く) :	小型: 0.5 kg / 1.1 lbs 中型: 0.8 kg / 1.8 lbs 大型: 1 kg / 2, 2 lbs
ご利用可能なサイズ:	マニュアルの後ろのページの「グリッド」参照
使用材料:	ラテックス不使用
クッション:	ポリエステル織物、ポリウレタン塗料
中綿:	低反発素材のコーティングを施したエア充填式 SmartCells (スマートセル)

02 Top Cover クッションカバー:	上部: ニットポリエステル織物。底部の縁: ポリエステル織物、ポリウレタン滑り止めコーティング。
------------------------	--

代替クッションカバー:

Comfair Cover クッションカバー: 上部: ニットポリエステル織物。側部: ポリエステル3Dメッシュ織物。底部: ポリエステル織物、ポリウレタン滑り止めコーティング。

Incotec Cover クッションカバー&Reversible Cover クッションカバー クッションカバー: 上部: ニットポリエステル織物、流体抵抗性・通気性ポリウレタンのコーティング。底部: ポリエステル織物、ポリウレタン滑り止めコーティング。

オールカバー: 洗たく機で丸洗い可。カバーは、EN1021-1, 1021-2 および CAL117 に準拠しています。

注意と安全のための指示

Vicair 車いす用座席クッションは、車いす用座席クッションとしてのみご使用いただけます。本製品を意図されている以外のいずれかの方法で使用することは、誤用とされます。

Vicair B.V. は、誤用や適切でない使用、または過失により起こったダメージについては責任を負いません。本マニュアルを完全に読んで理解していただくようお願いします。

警告! Vicair B.V. は、セラピストまたは支援技術専門家の直接の監督の下で Vicair

Adjuster 02 を設置することをお奨めします。

警告! 尾てい骨と骨盤の骨がクッションの底部に触れないようにしてください。「ボトムアウト」のチェックは、最初の使用時にクッションのフィラーを調整した後に行います。

警告! 皮膚に発赤がないか、最初の2、3日は特に気を付けて確認してください。発赤が起こり15分経っても消えない場合には、医療従事者または支援技術専門家にご相談ください。

警告! Vicair B.V. では、詰め具合の調整は医療従事者または支援技術専門家の直接の監督の下で行うことを推奨します。

警告! 体液で汚れた場合や、製品を他のユーザーに使わせる際には、二次汚染を避けるために製品を消毒してください。

警告! 消耗や潰れたセルがないか、3か月ごとに製品を確認してください。大きなダメージがある場合、または多数の潰れているセルがある場合、製品使用を継続しないでください。支援技術専門家にご相談ください。

注意! 製品は、炎や高温の熱源の傍で使用したり放置したりしないでください。

注意! 製品を蒸気消毒したり高圧消毒したりしないでください。製品は、過度の熱や圧力に耐えられません。消毒・洗たくの指示が守られない場合、製品やそのカバーの劣化が進む可能性が非常に高くなります。

注意! クッションを洗濯する際には、強いクレンザーや研磨剤入りのクレンザー、または鋭利な物質を使用しないでください。

注意! Vicair クッションの上側を洗たく機のドアのガラスに直接置かないでください

注意! クッションが車いすのスポークに接触しないようご注意ください。

注意! 洗い過ぎは製品の耐用年数に影響する場合があります。

注意! 詰め物のグレードは既定のグレードと若干異なる場合があります（製品ラベル参照）。

設置

警告! Vicair B.V. は、セラピストまたは支援技術専門家の直接の監督の下で Vicair

Adjuster 02 を設置することをお奨めします。

注意! クッションが車いすのスポークに接触しないようご注意ください。

注意! クッションは常にカバーを付けて使用してください。

注意! 車いすの座席が清潔であり、油がついていないことを確認してください。

ヒント：フックとループをご使用になりたくない場合は、フックストリップを取り外すことができます。クッション底部につなげられているストリップは、取り外しできませんのでご注意ください。

02 Top Cover クッションカバーをご使用の際には、以下のステップを行ってください。

これらステップは Quick Installation Guide の設置画像 1 - 6 に対応します。

- ・ クッションのサイズを確認する。クッションの幅 (X) と座席がマッチすること。クッションがひじ掛けやサイドガードに乗る場合、幅は最大 2,5 cm となります。クッションの深さ (Y) と座席がマッチすること。
- ・ カバーのサイズがクッションのサイズと合っていることを確認してください。
- ・ クッションに付て底面に接着剤付きフックストリップから保護用のバックングテープを剥がします。
- ・ クッションをギュッと押すように、圧力をかけながらくるんでください。
- ・ 02 Top Cover クッションカバーでクッションをくるみます。
- ・ クッションの裏側にあるループをカバーの裏側にあるボタン穴に通してください。
- ・ クッションの上に2、3分腰かけ、クッションをあなたの体型に適応させます。
- ・ 必要に応じてフットレストを調整します。

代替クッションカバー

Comfair Cover クッションカバー、Incotec Cover クッションカバー、または Reversible Cover クッションカバーを使うときは次のステップを実行してください。

注記：Reversible Cover クッションカバーは冷たい通気性のある面が外面になって配達されます。本カバーの流体抵抗性面が必要な場合：カバーのジッパーを下部から上部まで完全に開け、上部を裏表にしてから下部までジッパーを閉めます。

- ・ クッションのサイズを確認する。クッションの幅 (X) と座席がマッチすること。クッションがひじ掛けやサイドガードに乗る場合、幅は最大 2,5 cm となります。クッションの深さ (Y) と座席がマッチすること。
- ・ カバーのサイズがクッションのサイズと合っていることを確認してください。
- ・ フックストリップをクッションの底部から取り外します。クッション底部につなげられているストリップは、取り外しできませんのでご注意ください。
- ・ クッションをカバーでくるんでください。
- ・ カバーの鳩目 (アイレット) にループを渡します。
- ・ ジッパーを締めます。クッションを傷つけないようご注意ください。
- ・ クッションカバーに付いている接着剤付きフックストリップから保護用のバックングテープを剥がします。
- ・ クッションをギュッと押すように、圧力をかけながらくるんでください。
- ・ クッションの上に2、3分腰かけ、クッションをあなたの体型に適応させます。
- ・ 必要に応じてフットレストを調整します。

「ボトムアウト」をチェックしてください：

イラスト7 - Quick Installation Guide

警告！ 尾てい骨と骨盤の骨がクッションの底部に触れないようにしてください。「ボトムアウト」のチェックは、最初の使用時にクッションのフィルターを調整した後に行います。

警告！ Vicair B.V. では、詰め具合の調整は医療従事者または支援技術専門家の直接の監督の下で行うことを推奨します。

- ・ クッションの上におよそ5分間腰かけ、「ボトムアウト」 (=平たくなりすぎていないか) がなにか確認します。
- ・ 医療従事者または支援技術専門家に、前屈みの体勢であなたの臀部と Vicair クッションのあいだに手を入れてもらいます。

- ・ 医療従事者または支援技術専門家に、あなたの最低骨隆起が、最低 2,5 cm の SmartCells™ でサポートされているか確認してもらいます。これにより、隆起部最低骨隆起が車いすの座席に当たることを妨げられます。
- ・ 「ボトムアウト」が起こる場合には、クッションは使用しないでください。ほとんどの場合、コンパートメントのフィラーのレベルを調整すると、問題は解決します。

使用

皮膚の発赤がないか確認してください

イラスト8 - Quick Installation Guide

警告! 皮膚に発赤がないか、最初の2、3日は特に気を付けて確認してください。発赤が起こり15分経っても消えない場合には、医療従事者または支援技術専門家にご相談ください。

フィラーのレベルの調整

警告! Vicair B.V. では、詰め具合の調整は医療従事者または支援技術専門家の直接の監督の下で行うことを推奨します。

使用準備完了

本Vicair製品はすぐに使用できる状態になっています。サイズやモデルごとに独自のフィラーレベルを持ちます。但し、必要に応じて各コンパートメントのSmartCellsを増減させることで、詰め具合は調整可能です。初期設定のフィラーレベルは、クッションのラベルに記載されています。

使用と保管の条件

注意! 製品は、炎や高温の熱源の傍で使用したり放置したりしないでください。

- ・ ユーザーの重量：
 - 最低: 15 kg / 33 lbs、
 - 最大: 250 kg / 551 lbs
- ・ 温度：
 - 最低: -20 ° C / 4 ° F、
 - 最大: 55 ° C / 131 ° F

- ・ 高所での使用
 - 注意! Vicair B.V. は、クッションを海拔 2400 m を越える高所または海面下 50 m より低い場所で使用しないように推奨しています。各 SmartCell にはエアが充填されているため、クッションは高所や機内で使用される際には異なる反応を示す場合があります。このような状況では、各コンパートメントから2、3セルを取り外すことによって、クッションの硬さを調整できます。
- ・ 大気湿度：
 - 最低: 0%、最大: 100%

毎日の拡張

Vicair B.V. は、毎日、お手持ちの Vicair クッションをご使用になる前に、叩いて膨らませることを推奨します。

Vicair 座席クッションの自動車でのご使用

可能な場合は、車いすから取り外して、メーカーにより設置されたカーシート（クッション非使用）に装着して、車の乗員拘束システムを使用してください。

お使いの Vicair 車いす用クッションの代替として、メーカーにより設置されたカーシートで搬送中にさらに保護を必要とする場合

は、Vicair AllRounder 02（こちらはユーザーの体に締め付けて使用するタイプです）をご使用いただくことができます。

車いすをカーシートとして使用する場合は、搬送中の車いすと車いす使用者の固定に関する規則と規制に従ってください。

衝突試験実施済みの車いすに使用されている Vicair 車いす用クッションの安全性への影響に関するデータはありません。

再利用 - 製品を別のユーザーに譲る場合

本製品は、繰り返しの使用に適しています。使用回数は製品の使用方法とその頻度によって異なります。別のひとがご使用になる前に、製品は完全に洗たくされ、消毒されなければなりません。「お手入れと洗たく」の章にある指示をご覧ください。

注意！新しく使う人に合わせて、製品が正しく調整されていることを確認してください。

耐用年数

この取扱説明書に記載されている安全上の注意、メンテナンス期間、正しい使用方法に従って本製品を使用した場合の耐用年数は5年間で

ず。
耐用年数は使用頻度と使用強度により異なる場合があります。

クッションカバーの交換

通常の使用では、Vicair B.V. は年にいちどクッションカバーを交換することを推奨します。交換用のカバーは別途購入できます。

廃棄

使用した装置や梱包材料を廃棄したり再生利用する場合は、適用法規制を必ず、順守してください。汚染の危険を避けるために、製品を洗濯してから廃棄してください。

お手入れと洗濯

警告！ 消耗や潰れたセルがないか、3か月ごとに製品を確認してください。大きなダメージがある場合、または多数の潰れているセルがある場合、製品使用を継続しないでください。支援技術専門家にご相談ください。

注意！製品を蒸気消毒したり（消毒のために）高圧処理したりしないでください。過度な熱や圧力に耐えられません。指示されている洗たく方法に従わない場合、劣化が加速する可能性が非常に高くなります。

注意！クッションを洗濯する際には、強いクレンザーや研磨剤入りのクレンザー、または鋭利な物質を使用しないでください。

注意！Vicair 02 クッションの上側を洗たく機のドアのガラスに直接置かないでください

注意！洗い過ぎは製品の耐用年数に影響する場合があります。

Vicair Adjuster 02の洗たく

- ・ Vicair Adjuster 02クッションカバーの洗たく
クッションカバーは洗濯機洗いが可能です。カバーの内側に付いているラベル上の洗たくの際の指示に従ってください。
(60 ° C=140 ° F)



- ・ Vicair Adjuster 02クッションの洗たく
Vicair 02 は中性洗剤と60°C /140°Fのお湯で、洗たく機のソフトコースで洗うことができます。クッションを洗たく機に入れる前に、SmartCells を取り外す必要はありません。クッションの上側が洗たく機のドアのガラスに直接接触していないか、確認してください。洗たく機には最大容量の半分以上を入れなくてください。回転速度は減らしてください。アジテーター式の洗たく機を使うときは、クッションがドラム内で自由に移動できるか確認してください。塩素系漂白剤は使用しないでください！また、ドライクリーニングも行わないでください！Vicair 02 クッションは乾燥機にかけず、自然乾燥させてください。Vicair 02 クッションのスリング部分を使って吊るすことができます。



Vicair Adjuster 02の消毒

警告!体液で汚してしまった場合、また製品を別のユーザーに譲る場合、製品は交差汚染を避けるため、消毒する必要があります。クッションとカバーは、上記の指示に従って洗たくしてください。できれば抗菌性の洗剤を使用してください。洗たくした後は、クッションとカバーに消毒用スプレーをかけてください。コンパートメントを外側に曲げ、隙間にも必ずスプレーが入るようにしてください。

重大インシデントの報告

Vicair 製品の使用に起因する重大インシデントは、メーカーと関連所轄官庁に報告しなければなりません。

保証

保証手続きや諸条件についての詳細は、www.vicair.com を参照してください。

Vicair B.V. は、製品が正常に使用されていたことを条件に、作りや材料の欠陥があった場合、限定保証を提供しています。通常でない使用に起因する損傷や、不適切な取り扱いや洗濯、または過失による損傷は、この保証から除外されます。

保証期間

元の購入日から:24 ヶ月間。

このVicair 02 クッションのSmartCellsには生涯保証が付いています。

上記保証期間中に製品の材料または製造に欠陥が生じた場合、Vicair B.V. は独自の裁量において、その製品を無料で修理または交換します。クッションカバーはこの保証の対象外です。ここに明示されている保証違反は、製品の修理または交換に制限されています。

いかなる場合においても、当社は派生的損害を含む本製品の保証違反によって生じる損害に対しては責任を負いません。また、規格に適合しない製品でも保証は販売価格を超えることはありません。

ご質問がありますか?

Vicair B.V. までの info@vicair.com お問い合わせいただくか、お住まいの国の Vicair の販売業者までお問い合わせください。


Thickness Vicair Adjuster O2 6 = 6 cm / 2,5 inch

Thickness Vicair Adjuster O2 10 = 10 cm / 4 inch

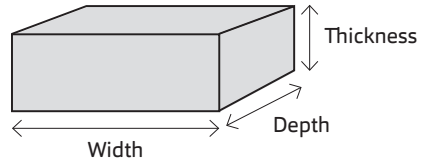
Thickness Vicair Adjuster O2 12 = 12 cm / 5 inch

Available sizes:

		WIDTH										
inch		14	15	16	17	18	19	20	21	22	23	24
	cm	35	38	40	43	45	48	50	53	55	58	60
DEPTH	14	35										
	15	38										
	16	40										
	17	43										
	18	45										
	19	48										
	20	50										
	21	53										
	22	55										
	23	58										
	24	60										

 Only available in thickness 10 and 12 cm / 4 inch and 5 inch.

Information about availability of other sizes on request.





Vicair B.V.

Bruynvisweg 5
1531 AX Wormer
The Netherlands

info@vicair.com
www.vicair.com

