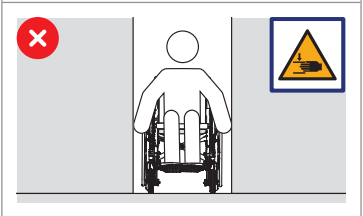
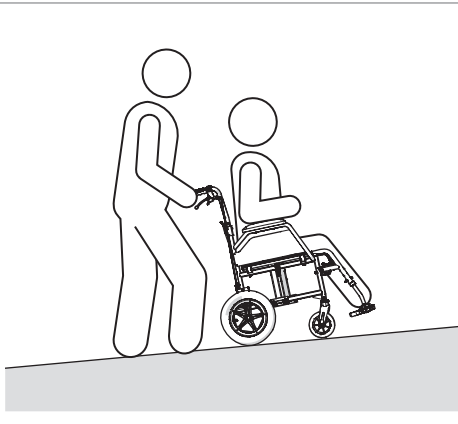
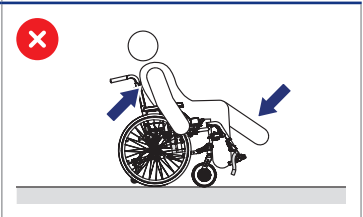
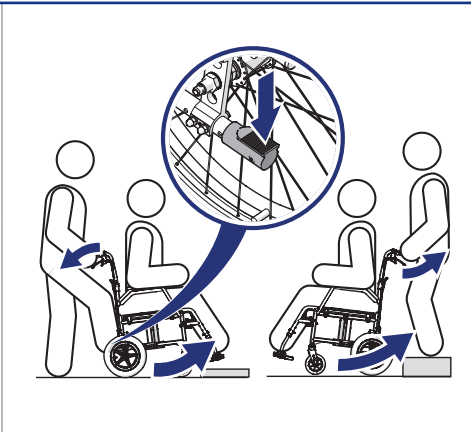
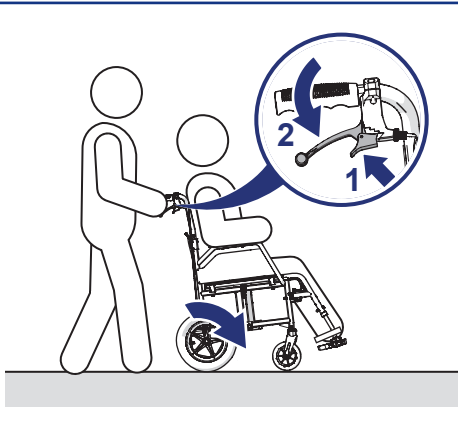
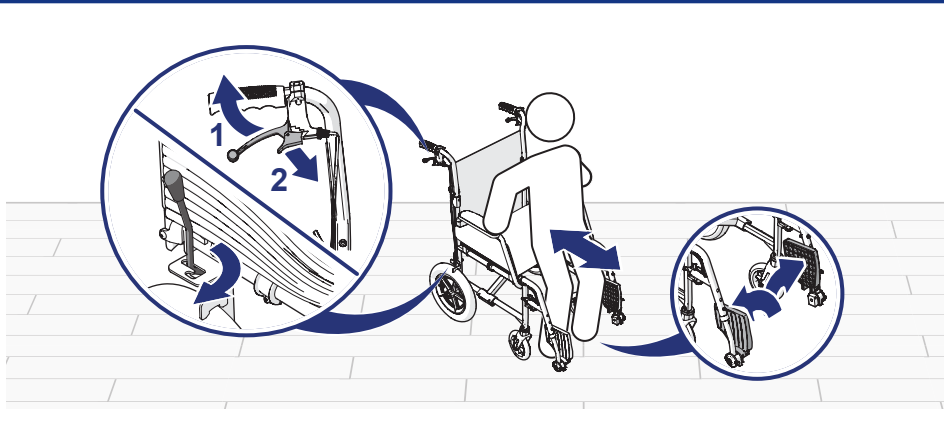


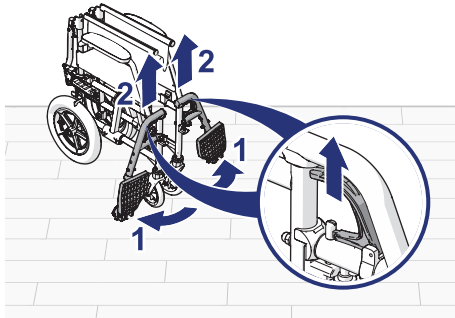
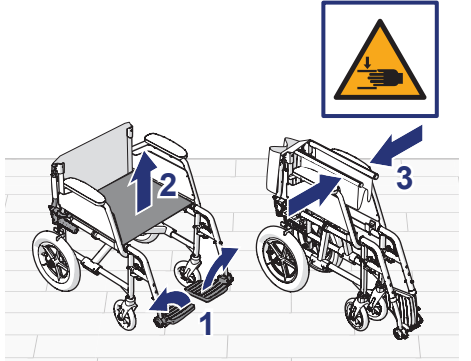
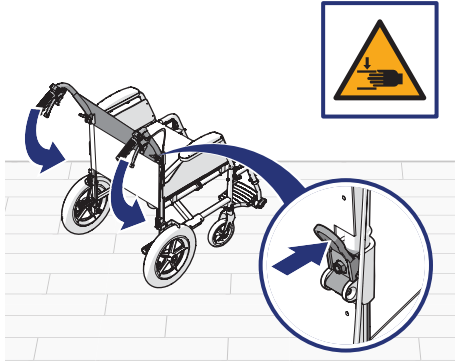


# Bobby

CE	TYPE	Bobby	MD	Rev. 2026-04
≤ 115 kg				
→  →		 		







**VERMEIREN**  
we care for you

